

Demolition Hammer - 3 611 C22 010 - DH7 12 VC

www.powertools-aftersaleservice.com



BOSCH

Item	Part Number	Description	Illustration	Price	Quantity	Price Group
1	1 615 108 165	Motor Housing	1	-,-	1	32
2	1 614 220 141	Field 110-120V	1	-,-	1	34
4	1 617 200 130	Switch	1	-,-	1	33
5	1 614 460 101	Power supply cord	1	-,-	1	32
6	1 610 703 053	Grommet Ø9,7-Ø12x89 MM	1	-,-	1	13
7	1 601 302 018	Fastening Clamp	1	-,-	1	11
9	1 601 11C 00G	Manufacturer's nameplate	1	-,-	1	14
13	1 610 900 026	Deep-Groove Ball Bearing 8x24x8	1	-,-	1	24
14	1 610 910 089	Needle-Roller Bearing	1	-,-	1	30
15	1 616 610 109	Fan	1	-,-	1	25
21	1 610 508 038	Protective Cap	1	-,-	1	15
22	1 610 591 051	Protection Sleeve	1	-,-	1	18
23	1 610 520 006	Stop Sleeve	1	-,-	1	25
24	1 610 500 025	Headed Bush	1	-,-	1	22
25	1 612 300 027	Stopping Device	1	-,-	2	22
26	1 610 290 109	Indexing Disk	1	-,-	1	18
27	1 600 591 051	Air-Deflector Ring	1	-,-	1	11
28	1 614 621 010	Compression Spring	1	-,-	1	13
31	1 610 290 129	Damping Ring	1	-,-	1	16
35	1 615 806 249	Hammer Pipe	1	-,-	1	46
37	1 610 322 018	Control Bushing	1	-,-	1	20
38	1 615 190 177	Covering hood	1	-,-	1	32
42	1 614 336 090	Brush Holder	1	-,-	1	37
43	1 615 500 435	Brush-Cover	1	-,-	1	23
44	1 614 621 020	Compression Spring	1	-,-	1	13
45	1 610 591 052	Holding-Down-Appliance	1	-,-	1	11
48	1 619 990 186	Clutch Sleeve	1	-,-	1	20
52	1 610 224 015	Retaining snap ring	1	-,-	1	10
54	1 610 190 071	Spacer Tube	1	-,-	1	19
58	1 600 A00 14J	Locking Bush	1	-,-	1	18
59	1 615 805 074	Bearing Pedestal	1	-,-	1	22
72	1 616 317 090	Eccentric Cog Wheel	1	-,-	1	42
80	1 607 233 458	Speed governor	1	-,-	1	41

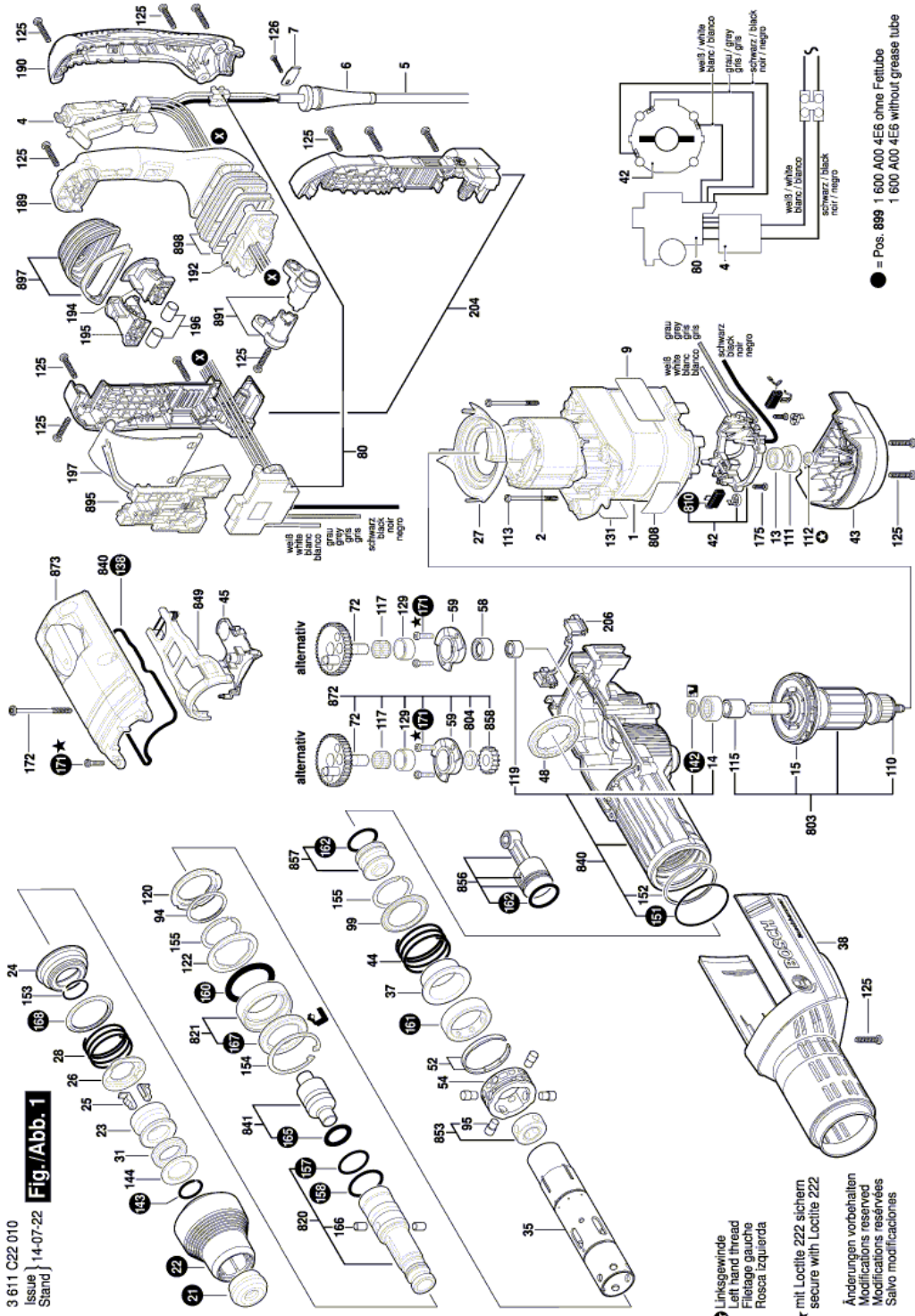
Item	Part Number	Description	Illustration	Price	Quantity	Price Group
84/1	1 615 132 129	Handle	2	-,-	1	31
84/2	1 618 900 004	damping cartridge	2	-,-	1	20
84/3	1 618 900 003	damping cartridge	2	-,-	1	20
85	1 618 040 094	Clamping Piece	2	-,-	2	13
86	1 613 490 019	Hex Screw	2	-,-	1	13
88	1 613 349 017	Star Knob M8 BLACK	2	-,-	1	19
94	1 610 290 111	Supporting Disc	1	-,-	1	12
95	1 613 120 023	Driving Pin	1	-,-	4	16
99	1 600 220 029	Thrust ring	1	-,-	1	14
110	1 610 190 073	Seal ring	1	-,-	1	10
111	1 610 290 046	Bushing	1	-,-	1	11
112	1 613 300 007	Hex Nut	1	-,-	1	11
113	1 613 412 001	Tapping Screw B 4,8x68 MM	1	-,-	2	11
115	1 610 300 078	Bushing	1	-,-	1	23
117	1 610 913 023	Needle-Roller Assembly	1	-,-	1	28
119	1 610 910 081	Needle-Roller Bearing	1	-,-	1	26
120	1 610 190 080	Spacer Tube	1	-,-	1	24
122	1 610 290 115	Spacer Ring	1	-,-	1	20
125	1 613 435 040	Torx Oval-Head Screw	1	-,-	16	10
126	2 603 490 023	Torx Oval-Head Screw 4x20	1	-,-	1	10
129	1 610 300 080	Bushing	1	-,-	1	16
131	1 601 11C 00H	Reference Plate	1	-,-	1	-
138	1 611 015 064	Sealing Frame	1	-,-	1	17
142	1 610 290 112	Rotary shaft lip seal	1	-,-	1	16
143	1 614 601 072	Retaining ring	1	-,-	1	10
144	1 610 103 025	Supporting Disc	1	-,-	1	14
151	1 610 210 222	O-Ring	1	-,-	1	10
152	1 614 601 073	Retaining ring	1	-,-	1	11
153	2 916 540 017	Retaining ring DIN 7993 A 30	1	-,-	1	10
154	2 916 660 027	Spring retaining ring DIN 472 62x2 MM	1	-,-	1	16
155	1 614 601 074	Retaining ring	1	-,-	2	11
157	1 610 210 103	O-Ring 33,0x2,0 MM	1	-,-	1	13
158	1 610 210 224	O-Ring	1	-,-	1	10
160	1 610 210 246	O-Ring	1	-,-	1	11
161	1 610 210 227	Damping Ring	1	-,-	1	21
162	1 610 210 228	O-Ring	1	-,-	2	15
165	1 610 290 125	Seal ring	1	-,-	1	22
166	1 613 200 020	Cylindrical Roller	1	-,-	6	11
167	1 610 290 12A	Rotary shaft lip seal	1	-,-	1	16
168	1 610 206 027	Packing Washer	1	-,-	1	11
171	1 613 414 026	Torx socket button screw	1	-,-	4	10
172	1 613 435 041	Torx Oval-Head Screw	1	-,-	4	11
175	2 603 490 021	Torx Oval-Head Screw 4x12	1	-,-	4	10
189	1 615 133 038	Handle	1	-,-	1	26
190	1 615 500 438	Handle Cover	1	-,-	1	27
192	1 614 611 028	Rocker Foot	1	-,-	1	18
194	1 610 099 018	Screw Plate	1	-,-	1	12
195	1 610 099 019	Screw Plate	1	-,-	1	12
196	1 610 026 004	Damping rubber	1	-,-	2	10
197	1 616 232 000	Leaf Spring	1	-,-	1	23
204	1 615 102 162	Rear Housing Section	1	-,-	1	29
206	1 612 386 006	Holding strip	1	-,-	1	10
661	1 615 430 010	Grease Tube 30 ML	2	-,-	1	18

Item	Part Number	Description	Illustration	Price	Quantity	Price Group
803	1 614 010 280	Armature With Fan 120V	1	-,-	1	50
804	1 610 190 027	Stop Disc	1	-,-	1	18
808	1 601 106 035	Nameplate 26x42 MM	1	-,-	1	13
810	1 617 000 A50	Carbon-Brush Set	1	-,-	1	31
820	1 618 597 102	Toolholder	1	-,-	1	47
821	1 610 508 058	Plain bearing	1	-,-	1	28
840	1 607 000 C38	Impact Mechanism Housing	1	-,-	1	50
841	1 617 000 A4R	Striker Pin	1	-,-	1	39
849	1 617 000 A31	Control Fork	1	-,-	1	17
853	1 610 231 004	Guide Bushing	1	-,-	1	32
856	1 617 000 A32	Hammer Piston	1	-,-	1	37
857	1 617 000 A33	Striker	1	-,-	1	32
858	1 616 317 620	Cylindrical Gear	1	-,-	1	25
872	1 617 000 A35	Eccentric	1	-,-	1	47
873	1 617 000 A4S	Housing Cover	1	-,-	1	43
884	1 615 132 131	Auxiliary Handle	2	-,-	1	39
887	1 611 316 029	Clamping Band	2	-,-	1	22
891	1 612 099 005	Rocker Arm	1	-,-	1	19
895	1 613 120 024	Diaphragm	1	-,-	1	32
897	1 610 415 005	Bellows	1	-,-	1	22
898	1 610 415 004	Bellows	1	-,-	1	22
899	1 600 A00 4E6	Service package	1	-,-	1	40

Product information Demolition Hammer - 3 611 C22 010 - DH7 12 VC

Product No	3 611 C22 010
Description	263.788; Demolition Hammer
DIN-Text	
ID_Text_Ext	0
Trading_Description	DH7 12 VC
Voltage_1	120 V
ID_Country_Product	USA

Illustration - Type E



3 611 C22 010
Issue } 14-07-22
Stand **Fig./Abb. 1**

⊛ Linksgewinde
Left hand thread
Filetage gauche
Rosca izquierda

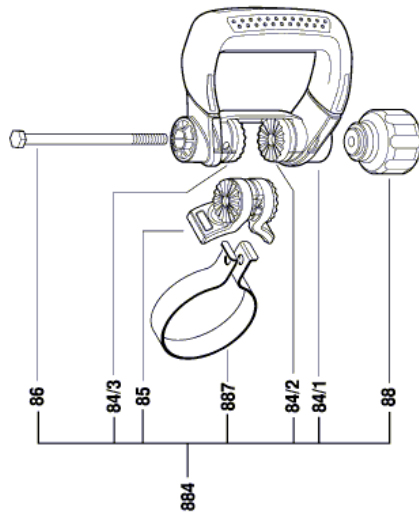
★ mit Loctite 222 sichern
secure with Loctite 222
Änderungen vorbehalten
Modifications reserved
Modificacions reservées
Salvo modificaciones

● = Pos. 899 1 600 A00 4EG ohne Fetttube
1 600 A00 4EG without grease tube

Illustration - Type E

3 611 C22 010
Issue }
Stand } 14-07-22

Fig./Abb. 2



Änderungen vorbehalten
Modifications reserved
Modificaciones reservadas
Salvo modificaciones

Information subject to change without further notice.