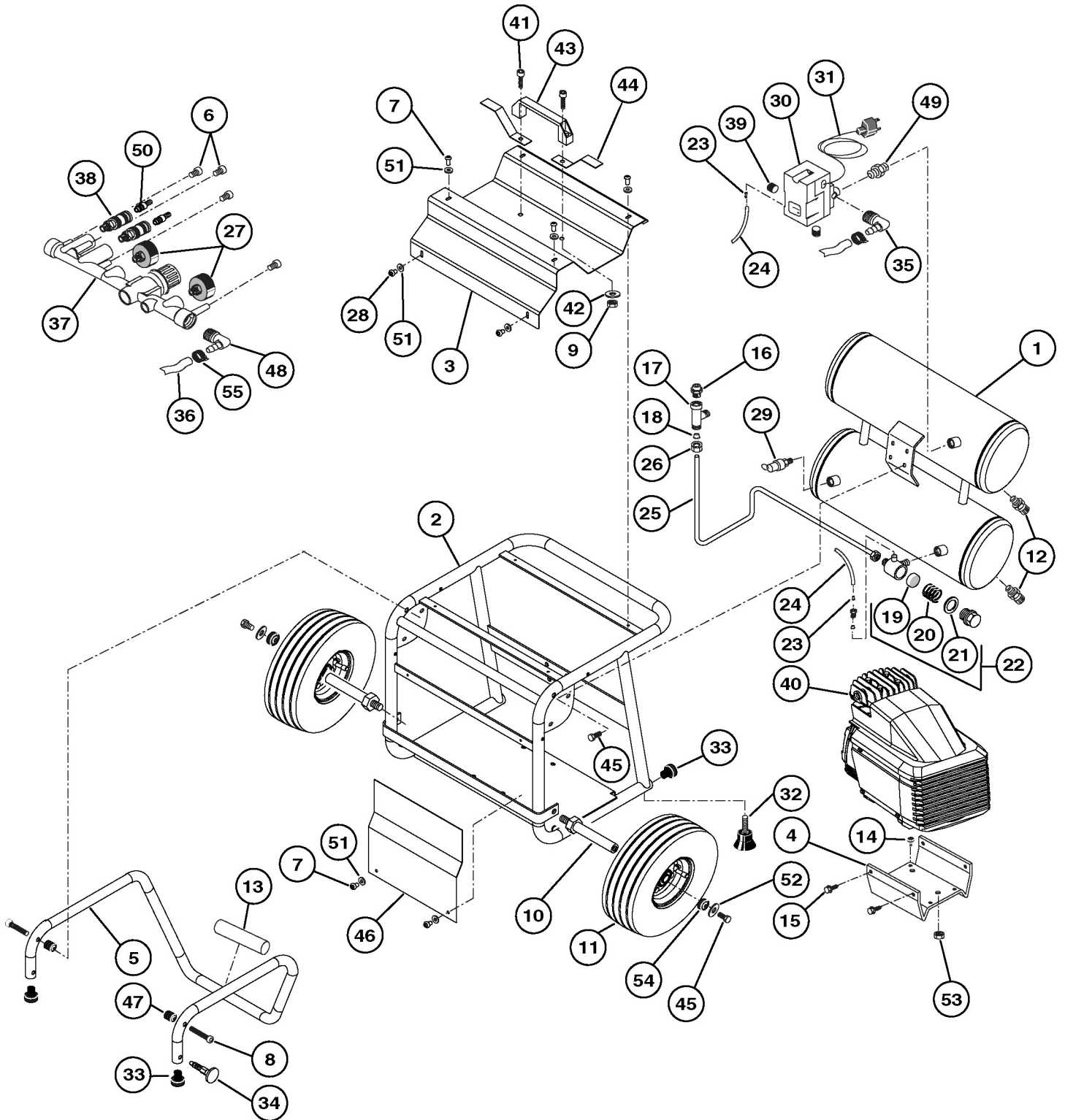




ROLAIR

SCHEMATIC FOR MODEL
DM2002ST





PARTS LIST FOR MODEL DM2002ST

Schem #	Description	Part #	Qty.	Schem #	Description	Part #	Qty.
1	Dual-Tank Assembly	FC162QR0001	1	28	Screw	FC014021004	2
2	Frame Assembly	FC162QR0007	1	29	Safety Valve	FC047208000	1
3	Panel	FC162QR0006	1	30	Pressure Switch	FC321099000	1
4	Mounting Plate	FC162C00105	1	31	Cord with Plug	FC164A08401	1
5	Handle Assembly	FC162QR0005	1	32	Rubber Foot	FC020004000	2
6	Screw	FC127QC0012	4	33	Plastic Plug	FC020118000	4
7	Screw	FC014011023	8	34	Spring-Loaded Pin	FC199001019	1
8	Bolt	FC162QR0004	2	35	Elbow	FC011100013	1
9	Nut	FC014003018	2	36	Nylon Tubing	FC046001003	1
10	Axle	FC162QR0003	2	37	Manifold	MANIFOLD	1
11	Wheel	FC020315000	2	38	Quick Disconnect	FC022050003	2
12	Drain Valve	FC022029000	2	39	Pipe Plug	FC011018000	2
13	Handle Grip	FC020306000	1	40	2 HP Pump/Motor	PMP11MK246FC	1
14	Vibration Dampener	FC199575000	4	41	Bolt	FC014011061	2
15	Screw	FC014013042	4	42	Washer	FC014005002	2
16	Cold-Start Valve	FC011158000	1	43	Handle	FC020300000	1
17	Discharge Tee	FC199617000	1	44	Cord Bracket	FC199000041	2
18	Ring	FC011117000	1	45	Screw	FC014001045	2
19	Disc	FC047113001	1	46	Kick Plate	FC162QR0015	1
20	Spring	FC047113002	1	47	Handle Support	FC199000042	2
21	O-Ring	FC010041000	1	48	Elbow	FC127QC0181	1
22	Check Valve	FC347043000	1	49	Nipple	FC011080000	1
23	Brass Insert	FC011304000	2	50	Plug	FC011731001	2
	Brass Compression Ring	011077000F	2	51	Washer	FC014005038	8
24	Nylon Tubing	FC046001000	1	52	Washer	FC014005010	2
25	Discharge Tube	FC127GH0013	1	53	Nut	FC014042002	4
26	Lock Nut	FC011117002	1	54	Rubber Washer	FC164QR0014	2
27	Gauge	FC330063001	2	55	Clamp	FC127QC0290	2

