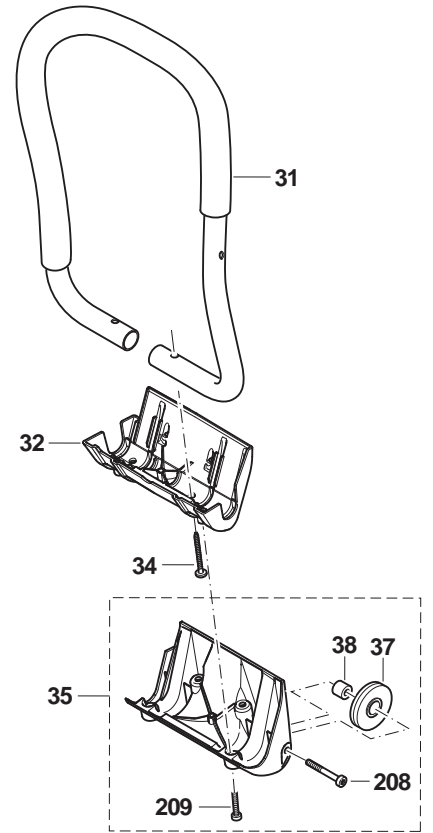
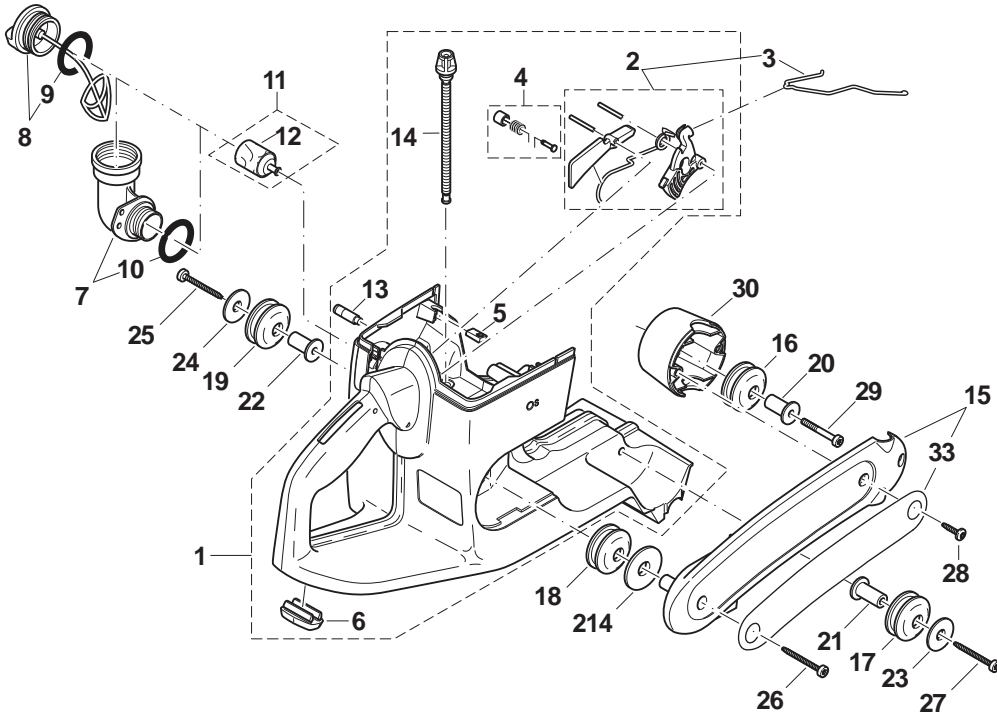
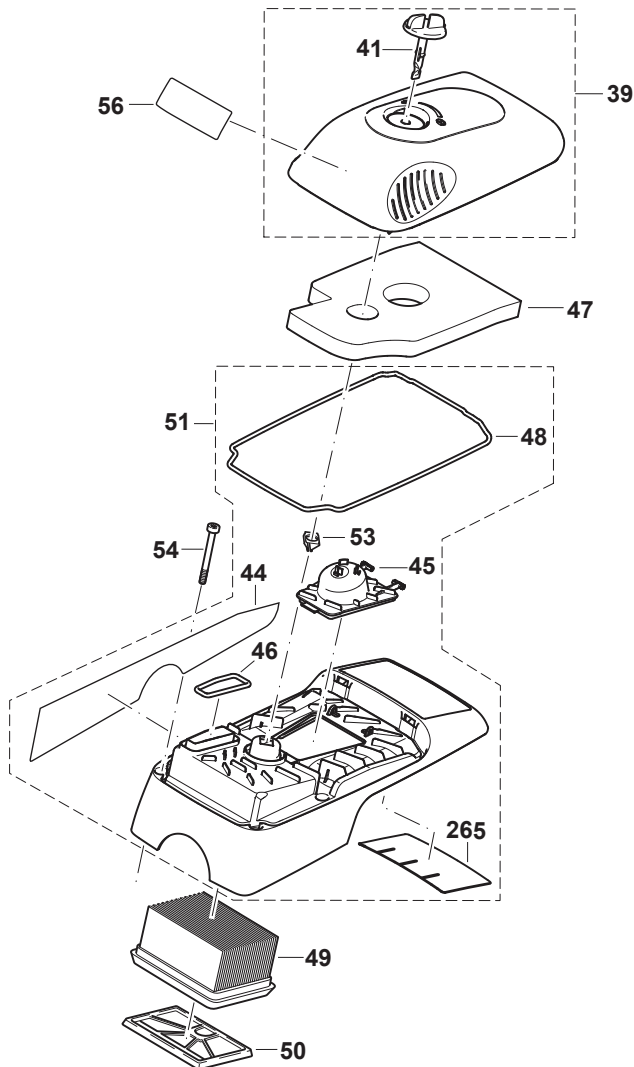
**CONTENTS:**

- 1) TANK and HANDLE GRIPS
- 2) CLUTCH, SPROCKET GUARD
- 3) MUFFLER
- 4) CARBURETOR
- 5) STARTER, IGNITION ASSY.
- 6) CYLINDER, CRANKSHAFT, CLUTCH
- 7) CUTTING DEVICE, PROTECTION HOOD
- 8) ACCESSORIES, WATER KIT

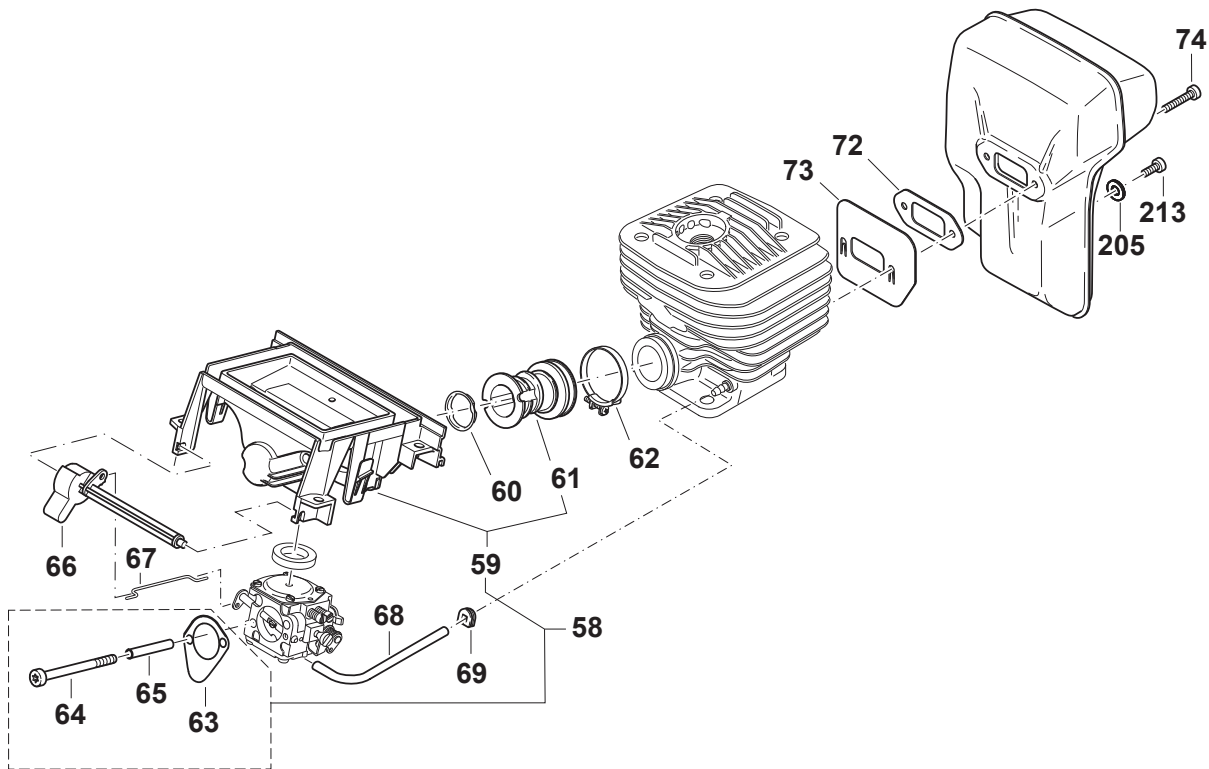
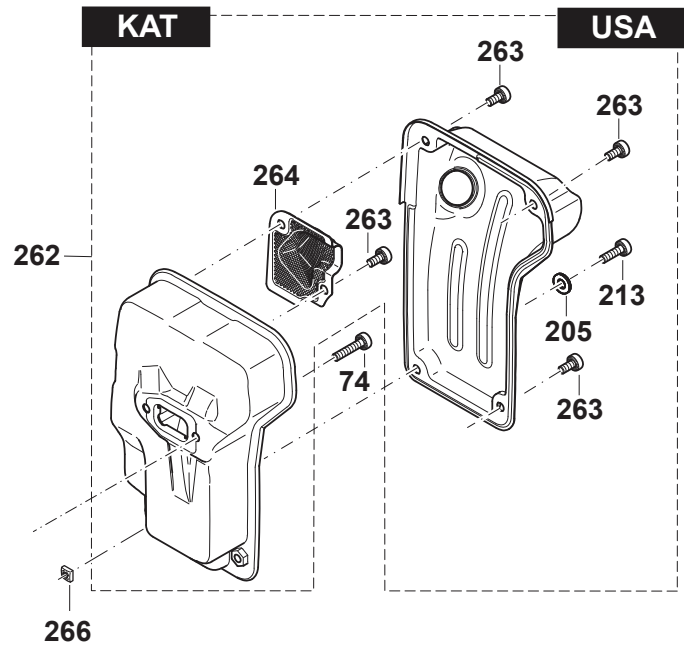
# 1) TANK and HANDLE GRIPS



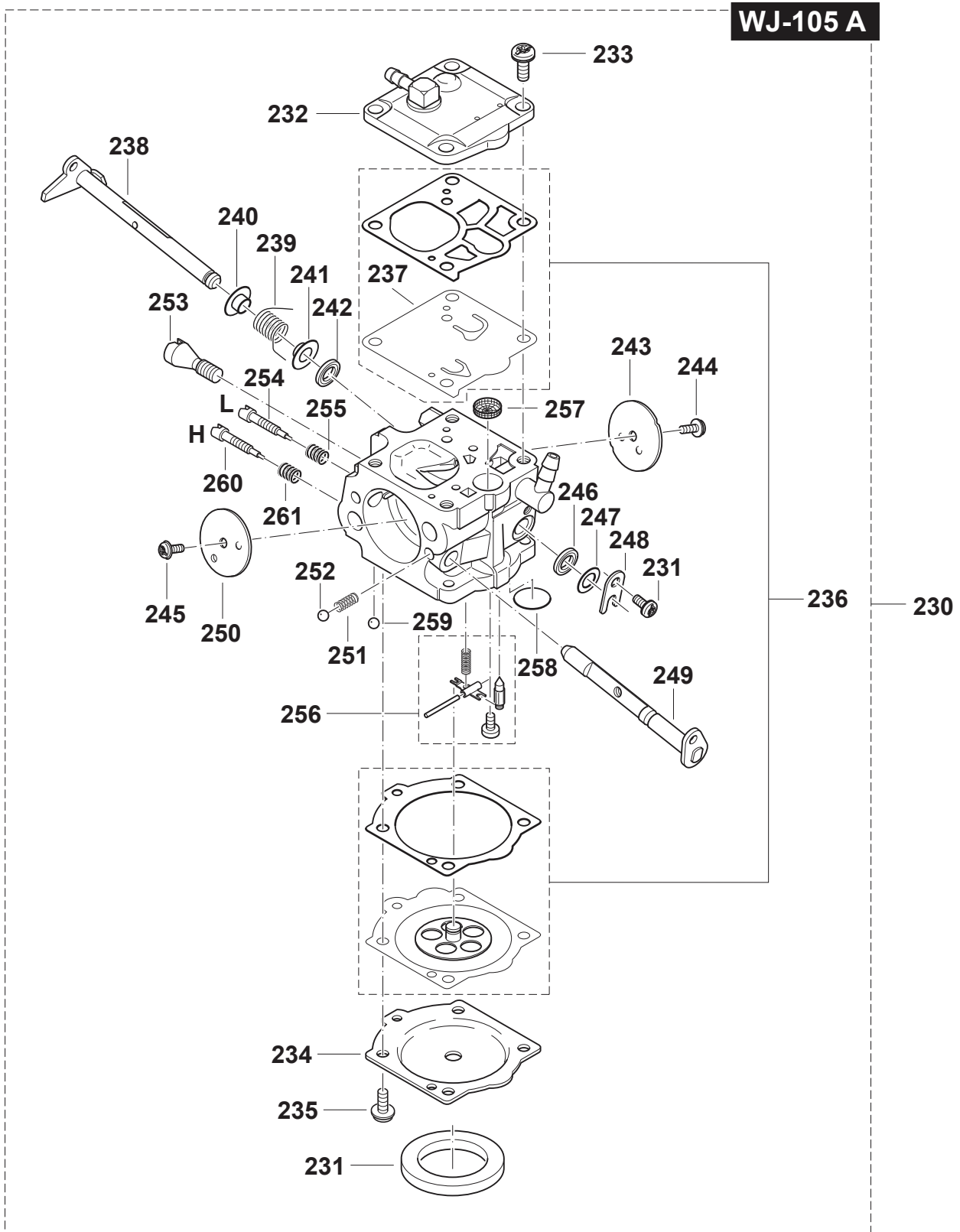
# 2) CLUTCH, SPROCKET GUARD



3) MUFFLER

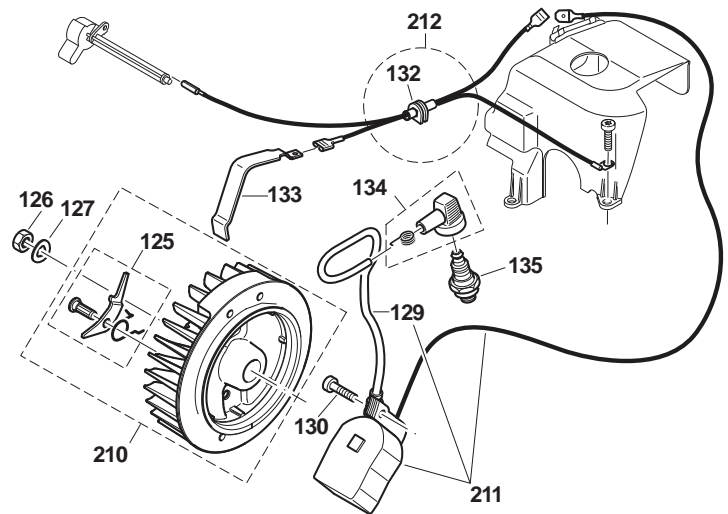
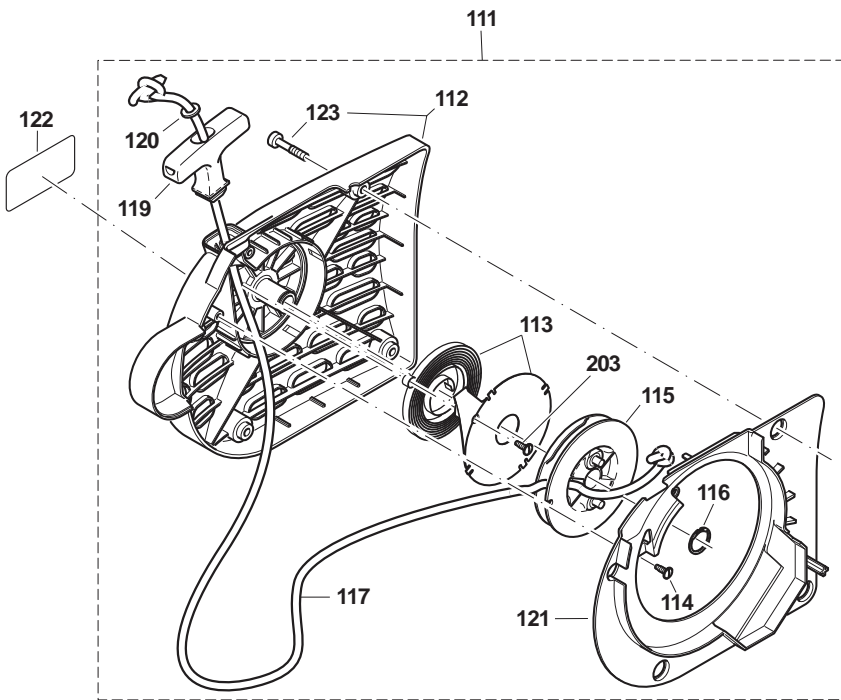
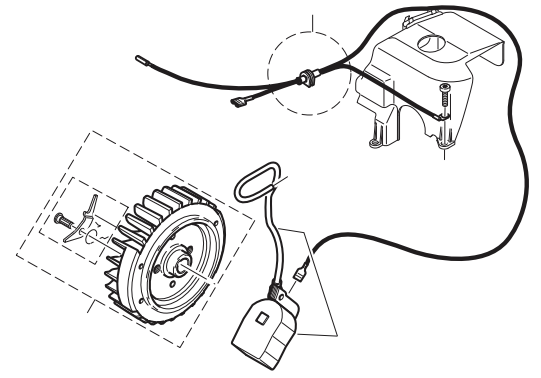


4) CARBURETOR

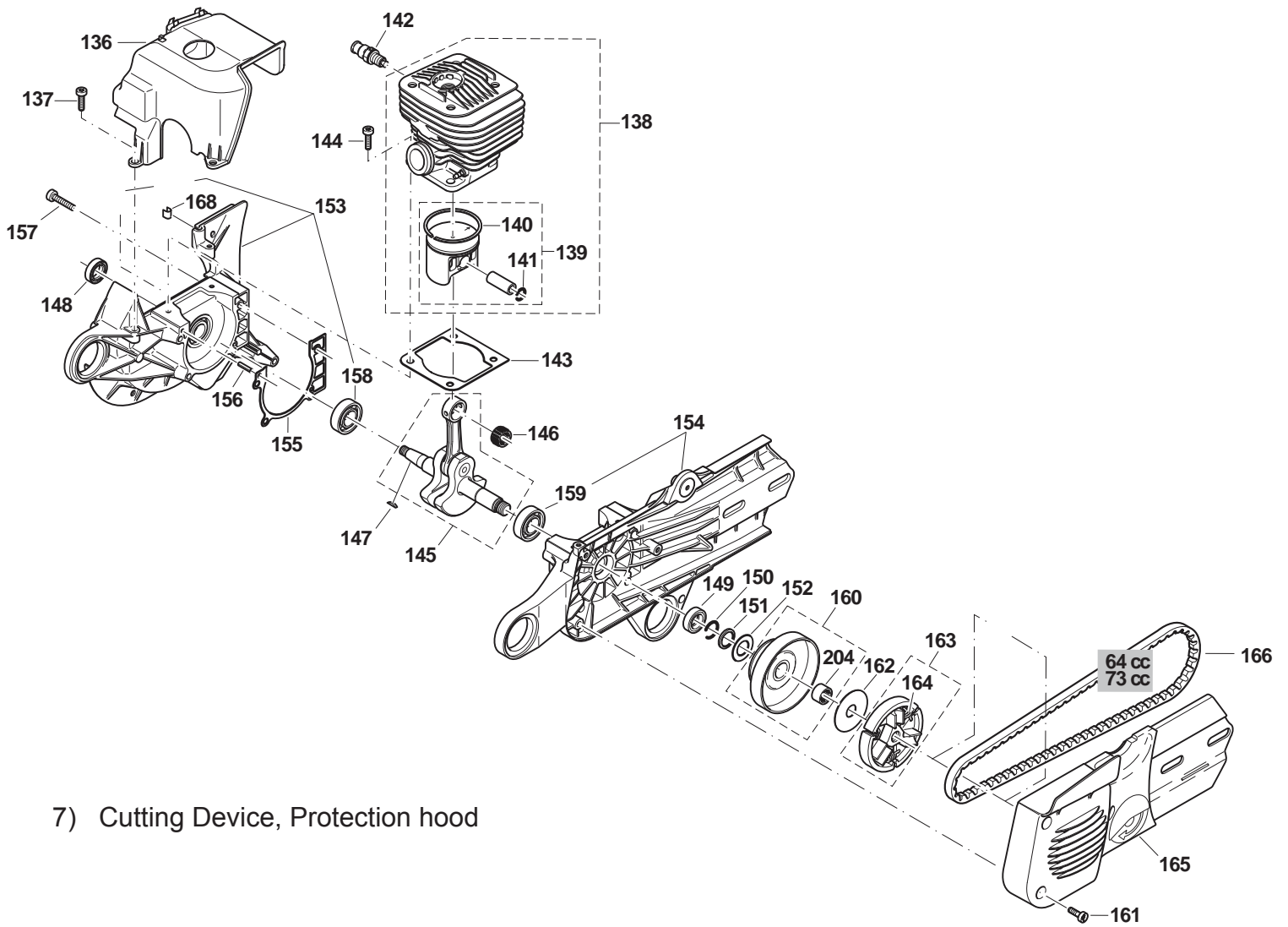


5) STARTER ASSY., IGNITION ASSY.

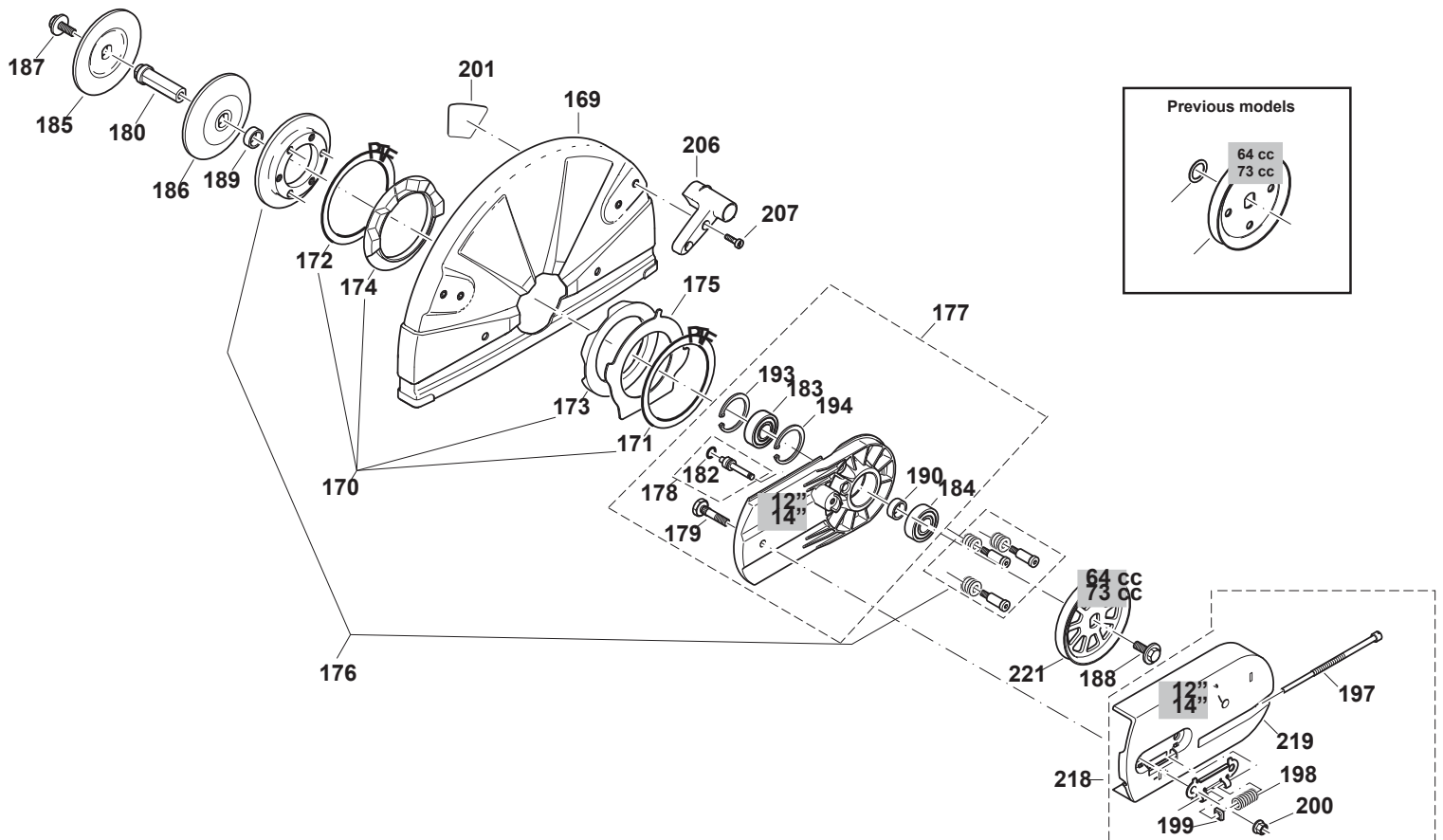
Previous models



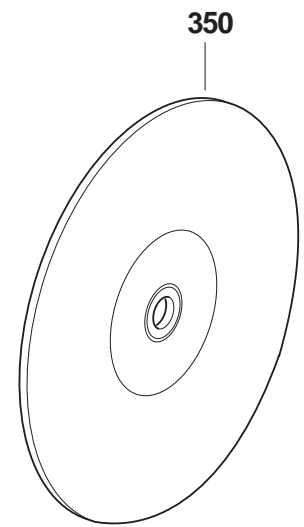
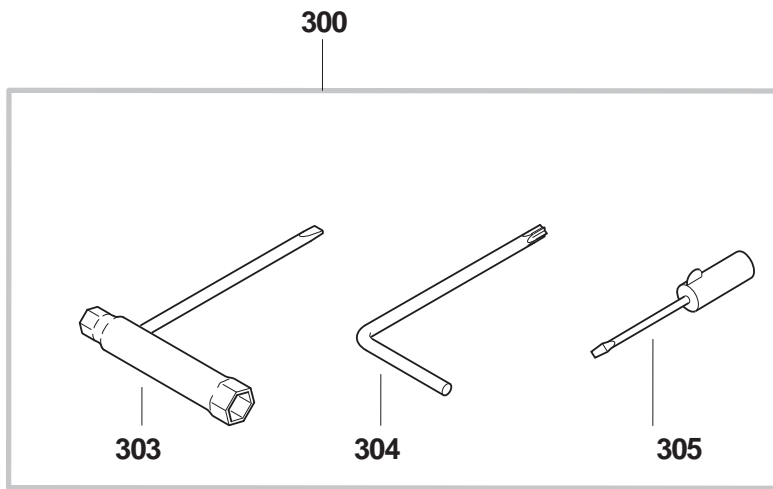
## 6) Cylinder, Crankshaft, Clutch



## 7) Cutting Device, Protection hood



## 8) ACCESSORIES



## WATER KIT

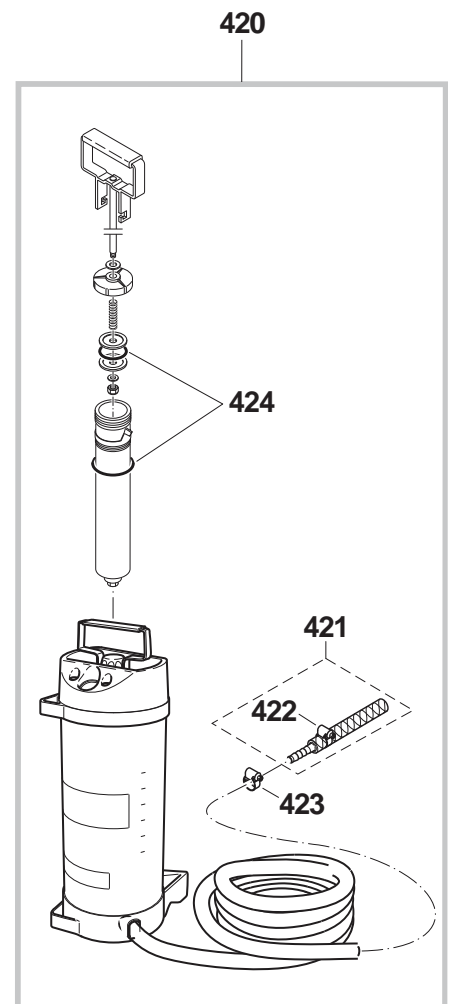
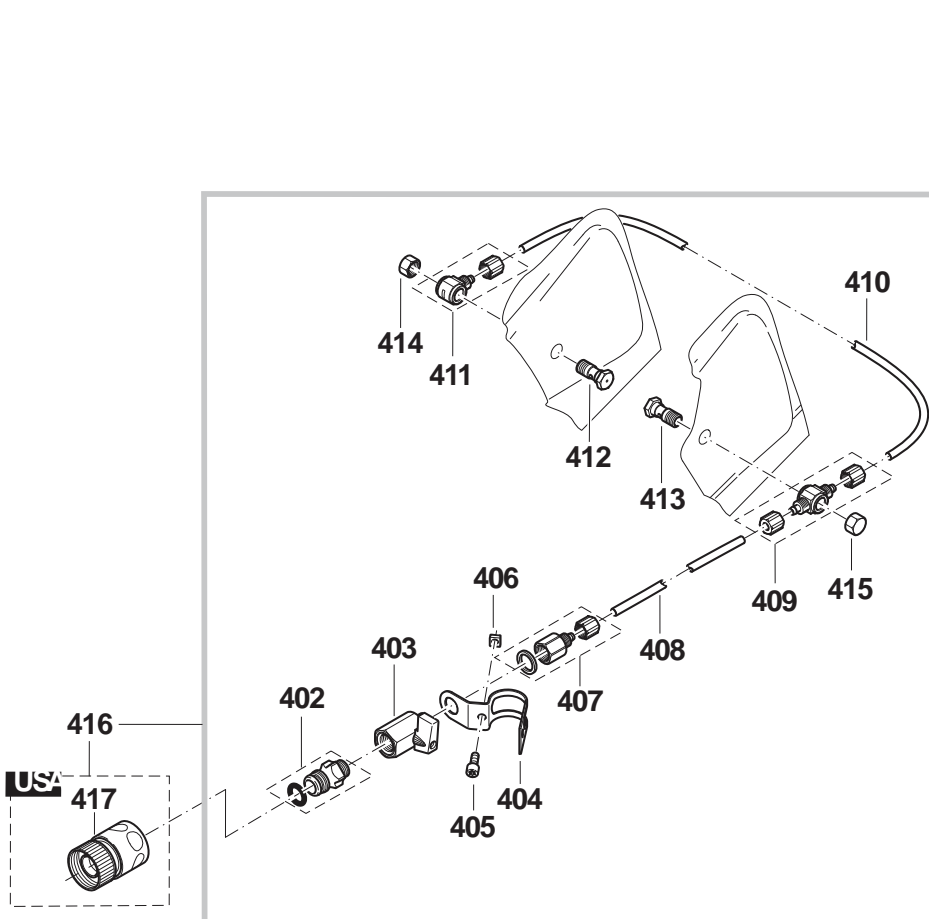


Fig.	Part No.	Qty.	Description	SPECIFICATION	NOTE
1	394 114 604	1	TANK CPL., BLUE		
2	957 117 020	1	THROTTLE MECHANISM, CPL.		
3	394 117 011	1	THROTTLE LINKAGE		
4	957 117 030	1	HALF-THROTTLE LOCK, CPL.		
5	394 114 100	4	SCREW PLUG		
6	394 114 070	1	RUBBER FOOT		
7	010 114 081	1	ANGULAR UNION ASSY.		ACC.
8	010 114 091	1	TANK CAP CPL.		
9	963 230 031	1	O-RING, RED	Ø30X3	
10	963 230 031	1	O-RING, RED	Ø30X3	
11	963 601 120	1	SUCTION HEAD		
12	963 601 240	1	FELT		
13	010 175 050	1	AIR VALVE CPL.		
14	965 404 911	1	FUEL LINE		
15	394 114 660	1	BRACKET	MAKITA	
16	965 403 535	1	RUBBER BUFFER		
17	965 403 535	1	RUBBER BUFFER		
18	965 403 535	1	RUBBER BUFFER		
19	965 403 535	1	RUBBER BUFFER		
20	394 114 032	1	AXLE		
21	394 114 032	1	AXLE		
22	394 114 032	1	AXLE		
23	900 005 078	1	WASHER		
24	900 005 078	1	WASHER		
25	913 455 454	1	SCREW	5,5X45	
26	913 455 454	1	SCREW	5,5X45	
27	913 455 454	1	SCREW	5,5X45	
28	913 455 204	2	SCREW	5,5X20	
29	908 305 405	1	SCREW	M5X20X40	
30	394 114 050	1	POT		
31	394 310 100	1	WRAP AROUND HANDLE		
32	394 114 190	1	FOOT		
33	980 115 215	1	LABEL	MAKITA	
34	913 455 454	2	SCREW	5,5X45	
35	394 114 270	1	FOOT CPL.		
37	394 114 230	2	ROLLER		
38	394 114 240	2	BUSHING		
208	908 006 355	2	SCREW	M6X35	
209	908 905 165	4	SCREW	5X16	
214	900 005 076	1	WASHER		
39	326 118 610	1	COVER ASSY.		
41	394 118 010	1	BAYONET FIXING		
44	980 115 269	1	SAFETY LABEL		
45	326 118 070	1	COVER FOR SPARK PLUG		
46	326 118 050	1	PACKING RING		
47	326 173 080	1	PREFILTER		
48	326 118 020	1	PACKING RING		
49	394 173 010	1	AIR FILTER		
50	394 173 020	1	INNER FILTER		
51	326 118 090	1	HOOD CPL.	KAT	
53	394 118 050	1	BAYONET LOCK		
54	908 605 505	4	SCREW	M5X50	
56	980 114 999	1	LABEL	MIX	
265	326 118 060	1	THERMAL FILM		



58	957 171 394	1	MODIFICATION SET	
59	394 171 051	1	CONNECTING SLEEVE CPL.	
60	024 131 032	1	INSERT FOR SUCTION HOSE	
61	394 131 101	1	SUCTION LINE	
62	965 603 050	1	HOSE CLIP	
63	965 518 120	1	GASKET	
64	908 204 555	2	SCREW	M4X55
65	970 502 050	M	TUBE 37MM; 1 1/2"	
66	394 150 030	1	CHOKE SHAFT	
67	394 150 042	1	CHOKE SHAFT	
68	965 452 380	M	TUBE 116MM; 4 1/2"	
69	965 401 016	1	RUBBER BUSH	
72	965 531 131	1	GASKET	
73	394 174 051	1	COVER PLATE	
74	908 405 205	2	SCREW	M5X20
205	928 405 000	1	DISC	
213	908 005 125	1	SCREW	M5X12
262	394 174 550	1	MUFFLER	KAT
263	908 005 095	4	SCREW	M5X9
264	394 174 340	1	SPARK ARRESTOR SCREEN	KAT
266	038 111 060	1	SQUARE NUT	M5, SW10
230	394 151 051	1	CARBURETOR	WJ-105 A
231	965 402 970	1	GASKET	
232	394 151 160	1	PUMP COVER CPL.	
233	144 150 170	4	SCREW	
234	394 151 120	1	DIAPHRAGM COVER	
235	378 151 220	4	SCREW	
236	957 151 180	1	SET DIAPHRAGM / GASKETS	
237	394 151 150	1	PUMP DIAPHRAGM	
238	394 151 300	1	THROTTLE SHAFT	
239	394 151 310	1	SPRING	
240	394 151 315	1	BUSHING	
241	394 151 315	1	BUSHING	
242	394 151 330	1	PACKING RING	
243	394 151 320	1	THROTTLE SHUTTER	
244	394 151 650	1	SCREW	
245	394 151 660	1	SCREW	
246	394 151 330	1	PACKING RING	
247	394 151 400	1	DISC	
248	108 151 350	1	SHAFT CLIP	
249	394 151 250	1	SHAFT	
250	394 151 260	1	CHOKE SHUTTER	
251	118 151 160	1	LOCKING SPRING	
252	118 151 170	1	LOCKING BALL	
253	394 151 570	1	IDLE STOP SCREW	S
254	394 151 470	1	IDLE ADJUSTMENT SCREW	L
255	021 151 480	1	SPRING	L
256	957 151 190	1	CONTROL PARTS	
257	021 151 180	1	SCREEN	
258	394 151 040	1	COVER DISC	
259	394 151 510	1	LOCKING BALL	
260	001 151 450	1	MAIN ADJUSTM. SCREW	H
261	021 151 480	1	SPRING	L
111	394 112 642	1	STARTER ASSY.	
112	394 112 621	1	HOUSING	
113	394 163 020	1	REWIND SPRING	

114	915 135 100	2	SCREW	3,5X9,5	
115	394 162 040	1	CABLE DRUM		
116	929 314 100	1	SNAP RING		
117	394 164 020	1	STARTER ROPE BLACK	Ø4 X 1000MM	
117	985 000 165	1	STARTER ROPE	Ø4 X 100M	
117	122 164 010	1	STARTER ROPE	Ø4 X 1000MM	
119	001 161 020	1	STARTER GRIP		
120	928 405 000	1	DISC		
121	394 112 141	1	AIR GUIDE PLATE		
122	980 115 214	1	LABEL	MAKITA	
123	908 605 205	4	SCREW	M5X20	
125	031 166 010	2	STARTER RATCHET CPL.		
126	920 208 024	1	HEXAGONAL NUT	M8X1	
127	926 208 001	1	SPRING WASHER	B8 DIN137	
129	970 310 200	M	IGNITION CABLE 360MM; 141/8"		
130	908 605 205	2	SCREW	M5X20	
132	965 401 016	1	RUBBER BUSH		
133	394 146 013	1	CONTACT SPRING		
134	957 604 240	1	SPARK PLUG CAP CPL.		
135	965 603 021	1	SPARK PLUG		
203	915 135 100	1	SCREW	3,5X9,5	
210	394 141 050	1	FLYWHEEL ASSY.		5/05 =>
211	394 143 030	1	IGNITION COIL		5/05 =>
212	965 605 510	1	CABLE WITH PLUG		5/05 =>
136	394 131 042	1	HOOD		
137	908 005 165	3	SCREW	M5X16	
138	394 130 015	1	CYLINDER / PISTON, CPL.	Ø 50 DECO	
139	394 132 111	1	PISTON CPL.	Ø 50	
140	394 132 020	1	PISTON RING	Ø 50	
141	119 132 060	2	SPRING RING	C12X1	
142	001 131 150	1	VALVE		
143	965 531 160	1	GASKET, METAL		
143	965 531 121	1	GASKET, PAPER		
144	908 005 205	4	SCREW	M5X20	
145	394 120 011	1	CRANKSHAFT CPL.		
146	962 210 015	1	NEEDLE CAGE		
147	939 630 370	1	KEY		
148	962 900 052	1	RADIAL RING	Ø15/24X7	
149	962 900 052	1	RADIAL RING	Ø15/24X7	
150	930 916 160	1	SPRING RING		
151	394 245 010	1	STOP RING		
152	394 182 020	1	GUIDE DISC		
153	326 111 731	1	CRANKC., MAG. SIDE	(Incl. Fig. 205,213,266)	
154	326 111 740	1	CRANKC., CLUTCH SIDE		
155	965 531 111	1	GASKET		
156	936 430 160	2	CLAMPING PIN	3X16	
157	908 005 305	5	SCREW	M5X30	
158	960 102 159	1	BALL BEARING (USE GLUE)	6202	
159	960 102 159	1	BALL BEARING (USE GLUE)	6202	
160	394 223 023	1	CLUTCH DRUM ASSY.		
161	908 605 145	3	SCREW	M5X14	
162	001 182 042	1	DISC		
163	010 180 022	1	CLUTCH ASSY.		
164	024 184 021	3	SPRING		
165	394 213 670	1	COVER		
166	965 300 470	1	V-BELT		

168	965 402 870	1	RUBBER PLATE	SET=35 PCS.		
204	962 300 017	1	NEEDLE BUSH			
169	394 341 011	1	HOOD	Ø 350MM; 14"		
170	957 342 011	1	MOUNTING, CPL.			
171	394 342 180	1	SLIDING DISC			
172	394 342 180	1	SLIDING DISC			
173	965 404 900	1	RUBBER RING EXT.			
174	965 404 920	1	RUBBER RING INT.			
175	394 342 160	1	IMPACT PLATE			
176	394 342 211	1	PRESSURE RING CPL.			
177	394 211 740	1	CUTTING DEVICE ASSY.			
178	394 342 190	1	BOLT CPL.			
179	394 211 091	2	SCREW			
180	394 228 101	1	AXLE	Ø 20MM	DPC7321	
180	394 228 130	1	AXLE	Ø 22,2MM		ACC.
180	394 228 111	1	AXLE	Ø 25,4MM; 1"	DPC7321HD	
182	963 209 020	1	PACKING RING	9X2		
183	960 102 176	1	BALL BEARING			
184	960 102 176	1	BALL BEARING			
185	326 228 010	1	PRESSURE DISC	12"-16"		
186	326 228 010	1	PRESSURE DISC	12"-16"		
187	994 280 250	1	HEXAGONAL SCREW	M8X25		
188	994 280 250	1	HEXAGONAL SCREW	M8X25		
189	394 228 021	1	SPACER			
190	394 228 021	1	SPACER			
193	929 240 180	1	SNAP RING			
194	929 240 180	1	SNAP RING			
197	394 213 032	1	TENSIONING SCREW			
198	394 342 120	1	SPRING			
199	921 906 004	1	SQUARE NUT	M6		
200	923 208 004	2	HEXAGONAL NUT	M8		
201	980 114 975	1	SAFETY LABEL	Ø350/25,4MM; Ø14"/1"	DPC7321HD	
201	980 114 974	1	SAFETY LABEL	Ø350/20,0MM; Ø14"/.787"	DPC7321	
206	326 341 300	1	GRIP			
207	908 605 165	2	SCREW	M5X16		
218	394 211 190	1	COVER CPL.			
219	394 211 625	1	COVER			
221	394 221 050	1	BELT PULLEY			
300	957 004 006	1	TOOLS CPL.			ACC.
303	941 719 140	1	UNIVERSAL WRENCH	SW 13/19		ACC.
304	940 827 000	1	ANGLED SCREW DRIVER	T27		ACC.
305	944 340 001	1	SCREW DRIVER			ACC.
350	965 210 212	1	ABRAS. BLADE, STEEL	350/25,4MM; 14"		ACC.
350	965 210 222	1	ABRAS. BLADE, STONE	350/25,4MM; 14"		ACC.
402	964 802 280	1	HOSE CONNECTOR			
403	964 802 290	1	SHUT OFF COCK			
404	394 365 160	1	CLAMP			
405	908 006 105	1	SCREW	M6X10		
406	921 906 004	1	SQUARE NUT	M6		
407	964 802 310	1	CONNECTING PIECE			
408	964 802 321	M	HOSE 405MM; 16"			
409	964 802 330	1	CONNECTING PIECE T	T		
410	964 802 321	M	HOSE 210MM; 8 1/4"			
411	964 802 340	1	CONNECTING PIECE L	L		
412	964 802 351	1	NOZZLE			
413	964 802 351	1	NOZZLE			

414	964 802 361	1	CAP NUT		
415	964 802 361	1	CAP NUT		
416	394 365 630	1	WATER ATTACHMENT KIT		U.S.A.
417	964 802 400	1	COUPLING SLEEVE	STOP 1 1/16"	U.S.A.
420	957 802 600	1	PRESSURISED WATER TANK	10 L	
421	394 365 180	1	CONNECTING REDUCER		
422	964 802 250	1	HOSE CLIP	Ø10-16 MM	
423	964 802 250	1	HOSE CLIP	Ø10-16 MM	
424	957 963 200	1	GASKET SET		