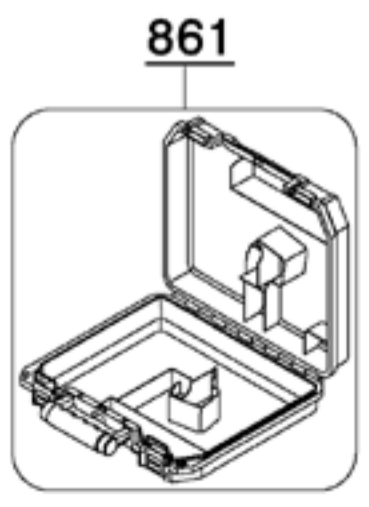


6



Parts List for DW087K Type 1

Item Number	Part Number	Description	Qty Required
1	595183-00	UPPER LASER HOUSING	1
2	595184-00	BATTERY DOOR KIT	1
3	595186-00	SWITCH KIT	1
4	N002772	NAME PLATE	1
5	595015-00	WALL MOUNT	1
6	595087-00S	REPLACEMENT UNIT	1
861	593463-00	KITBOX	1