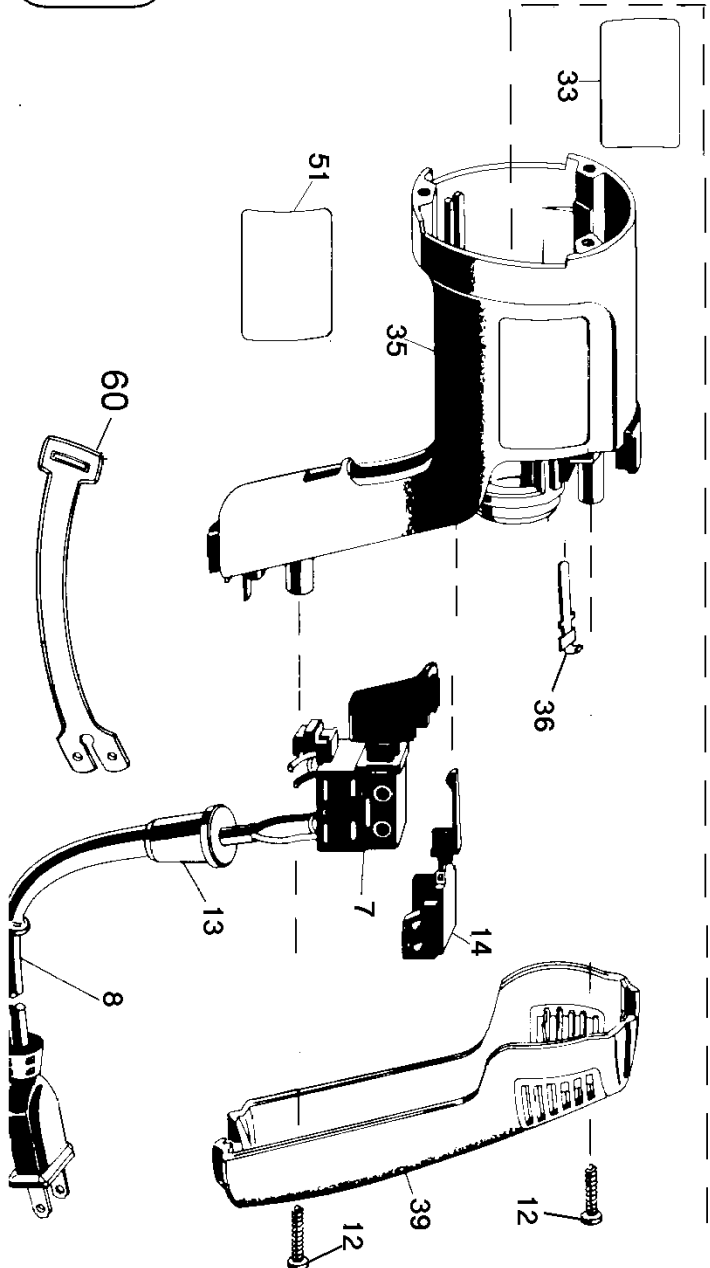


800
801



Parts List for DW110 Type 2

Item Number	Part Number	Description	Qty Required
1	000000-00	No Longer Available	1
2	464277-00	FIELD	1
3	143803-00	BRUSH & LEAD	2
4	445860-00	SPRING,BRUSH	2
5	449899-05	RING,BRUSH	1
7	286196-00	SWITCH	1
8	330072-98	CORD/8FT/18-2SJ	1
9	330003-04	BEARING,BALL	2
10	330003-04	BEARING,BALL	1
11	330019-16	SCREW	1
12	330019-13	SCREW,M4X19	2
13	330005-01	PROTECTOR,CORD	1
14	150196-00	SWITCH,REV.	1
15	445217-02	SLEEVE	1
16	447866-00	BAFFLE,FAN	1
17	448269-00	SCREW	2
20	000000-00	No Longer Available	1
21	000000-00	No Longer Available	1
22	000000-00	No Longer Available	1
23	000000-00	No Longer Available	1
24	000000-00	No Longer Available	1
25	449644-00	CHUCK & KEY	1
26	330034-03	CHUCK KEY	1
27	448847-01	L.H. SCREW	1
30	000000-00	No Longer Available	1
31	386422-00	GASKET	1
33	000000-00	No Longer Available	1

Parts List for DW110 Type 2

Item Number	Part Number	Description	Qty Required
34	093128-00	NEEDLE BEARING	3
35	464231-04	CASE,FIELD	1
36	449192-00	TERMINAL	4
39	450594-03	COVER,HANDLE	1
40	330004-00	BEARING,NEEDLE	2
41	330003-09	BEARING,BALL	1
42	052819-00	SCREW	1
44	330019-18	SCREW,PLASTITE	2
45	448674-00	SCREW	1
46	2281-00	NUT	1
47	000000-00	No Longer Available	1
48	000000-00	No Longer Available	1
49	000000-00	No Longer Available	1
50	000000-00	No Longer Available	1
51	395047-00	ID LABEL	1
52	000000-00	No Longer Available	1
60	065288-02	HOLDER	1
800	761995-01	GREASE, 6 OZ.	1
801	283484-01	GREASE,32 OZ.	1