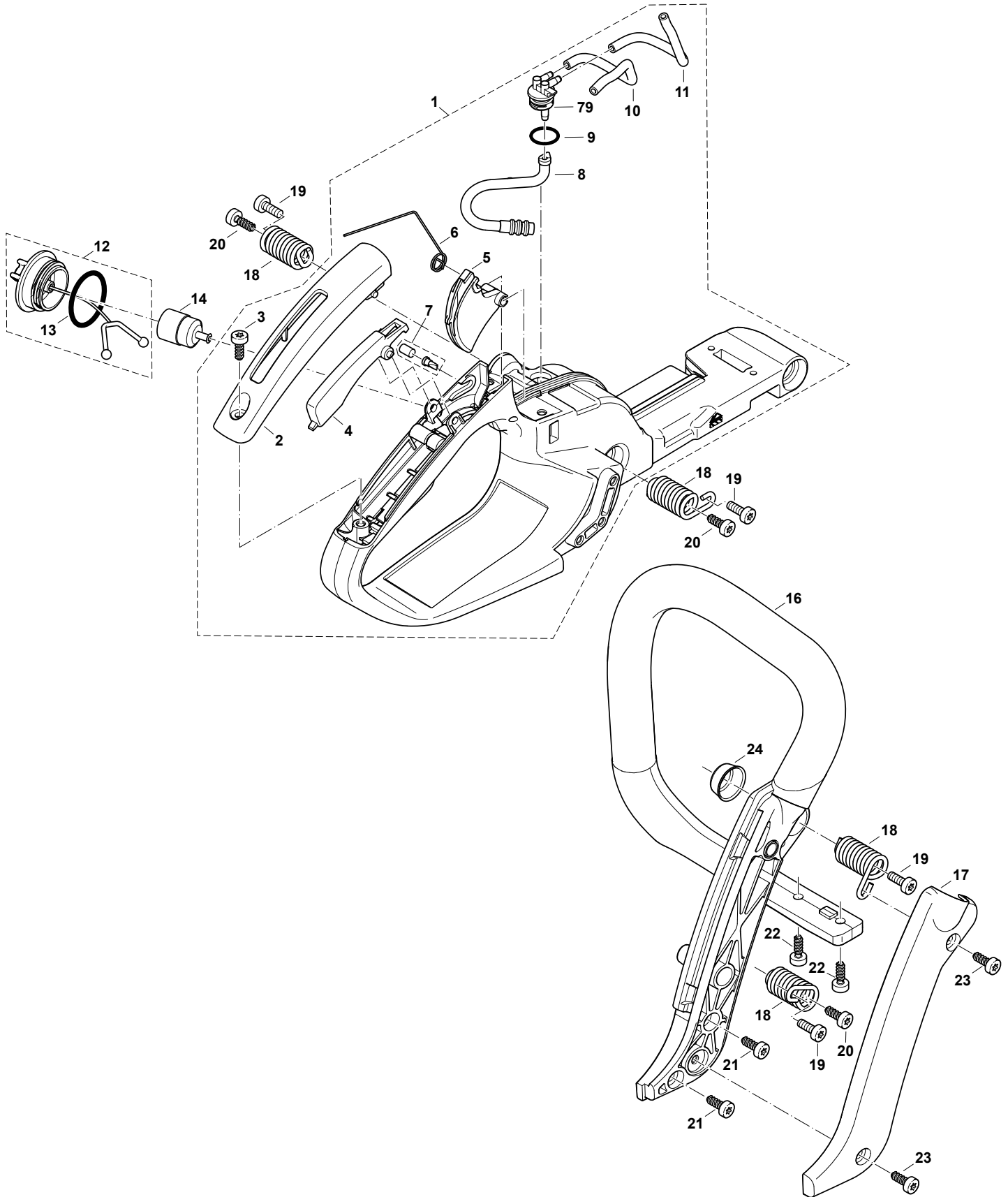




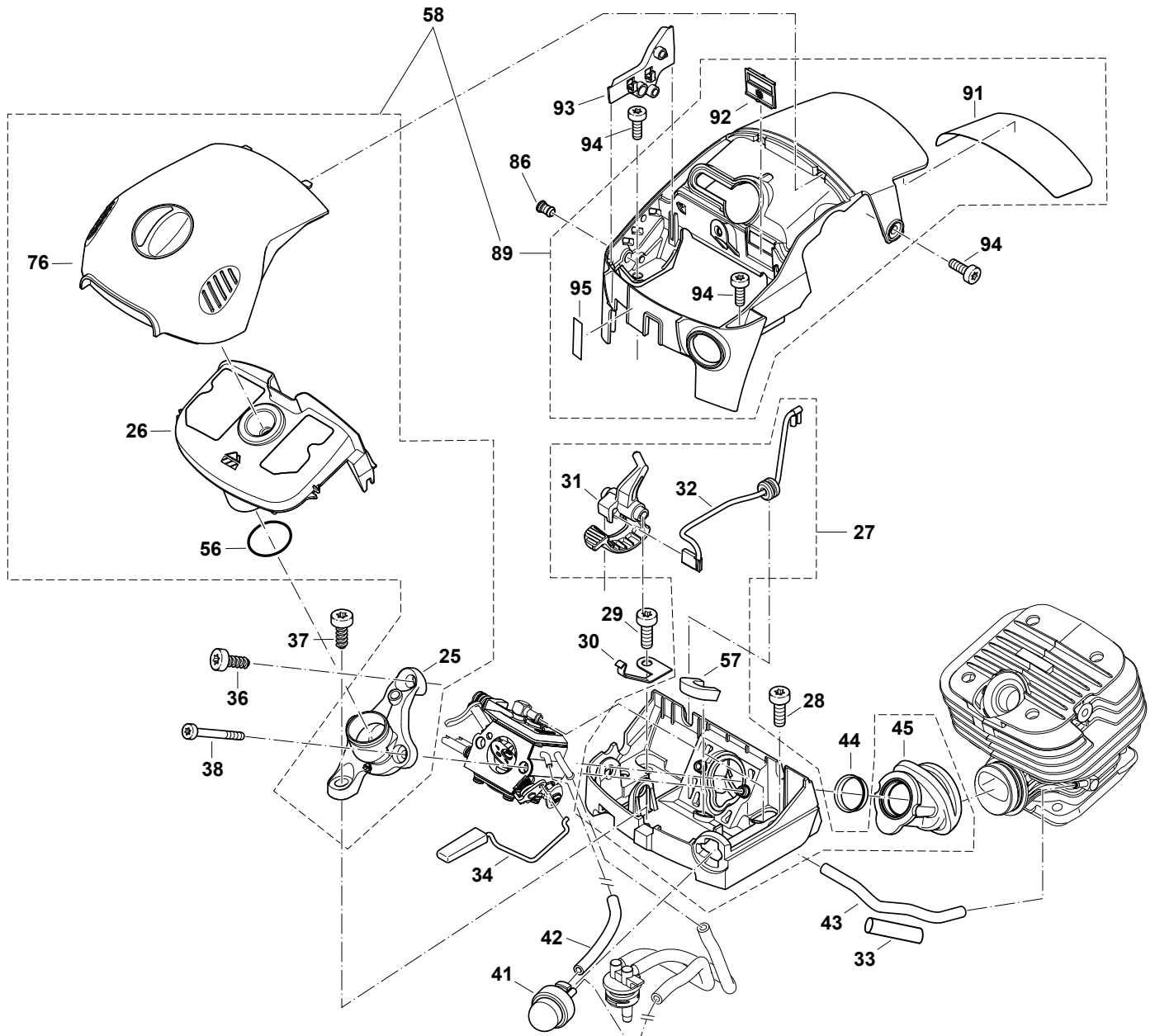
EA4300F40B



Products with multiple versions are listed in subsiding order with the newest version on top not indented.

Corresponding bulletins are attached. Select bulletin name or attachment to view.

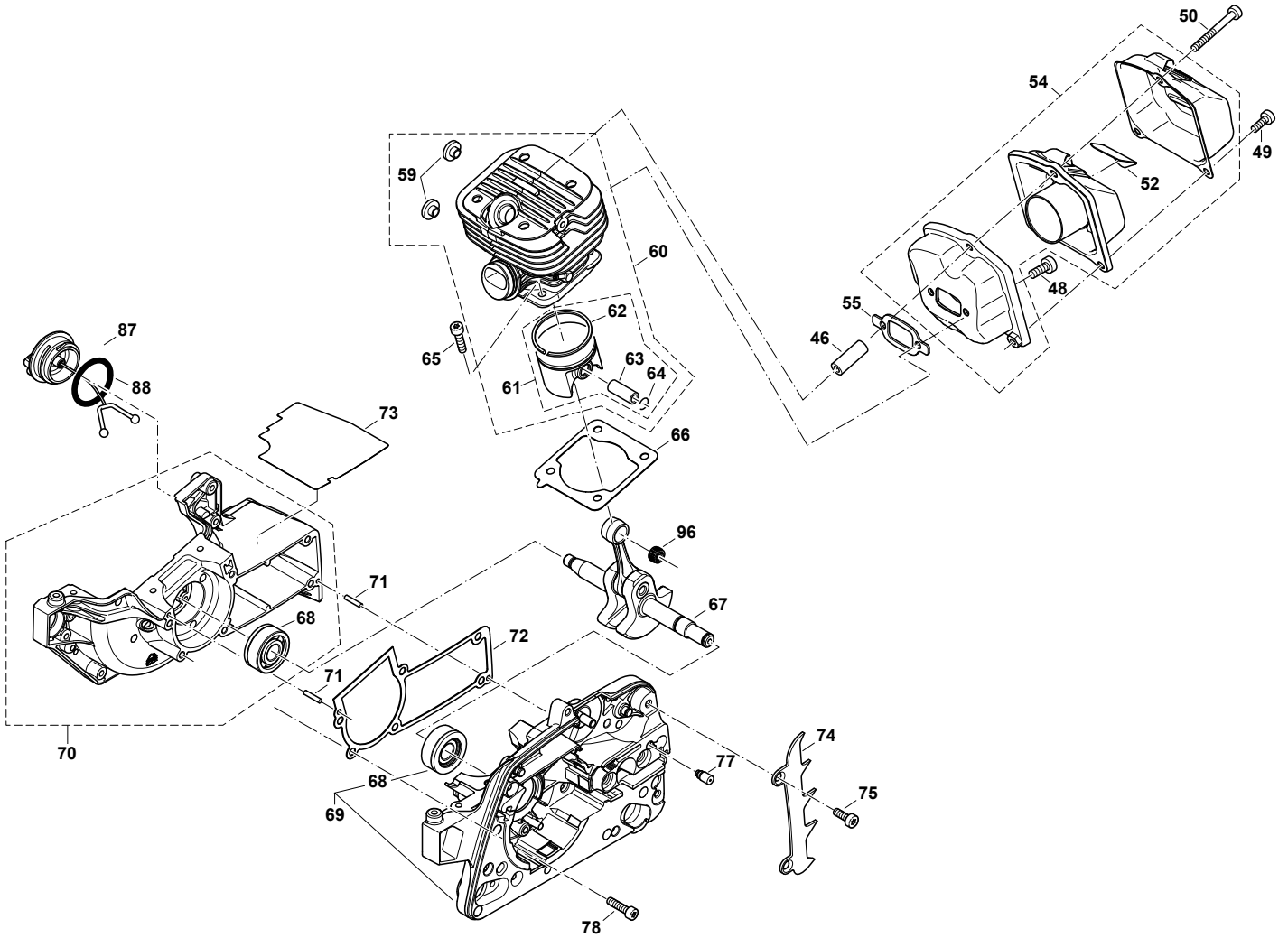
Section	Fig. No.	Part No.	Description	EA4300F40B	Tech Bulletin	Notes
1	1	195-114-650	TANK CPL. BLUE	1		
1	2	195-117-050	GRIP OUTER SHELL	1		
1	3	913-455-164	SCREW	1		
1	4	195-117-030	CATCH LEVER	1		
1	5	195-117-020	THROTTLE LEVER	1		
1	6	195-117-010	SPRING	1		
1	7	195762-4	AIR VALVE SET	1		
1	7	170-175-010	AIR VALVE CPL.	1		
1	8	195-114-050	FUEL LINE	1		
1	9	213586-7	O RING	1		
1	9	963-211-020	O RING	1		
1	10	965-452-090	TUBE	1		
1	11	965-452-660	TUBE	1		
1	12	181-114-202	TANK CAP CPL.	1		
1	13	963-229-036	PACKING RING	2		
1	14	320-163-447	FUEL FILTER	1		
1	16	195-310-010	TUBULAR HANDLE	1		
1	17	195-310-651	COVER	1		
1	18	195-114-150	SPRING	4		
1	19	908-005-165	H.L. SOCKET HEAD BOLT	4		
1	20	913-455-164	SCREW	3		
1	21	913-455-164	SCREW	2		
1	22	913-455-164	SCREW	2		
1	23	913-455-164	SCREW	2		
1	24	346517-2	SPRING GUIDING HEAD	1		
1	24	195-114-160	SPRING GUIDING HEAD	1		
1	74	346301-5	SPIKE BAR	1		
1	74	165-250-010	SPIKE BAR	1		
1	79	195-114-060	FUEL NIPPLE	1		



Products with multiple versions are listed in subsiding order with the newest version on top not indented.

Corresponding bulletins are attached. Select bulletin name or attachment to view.

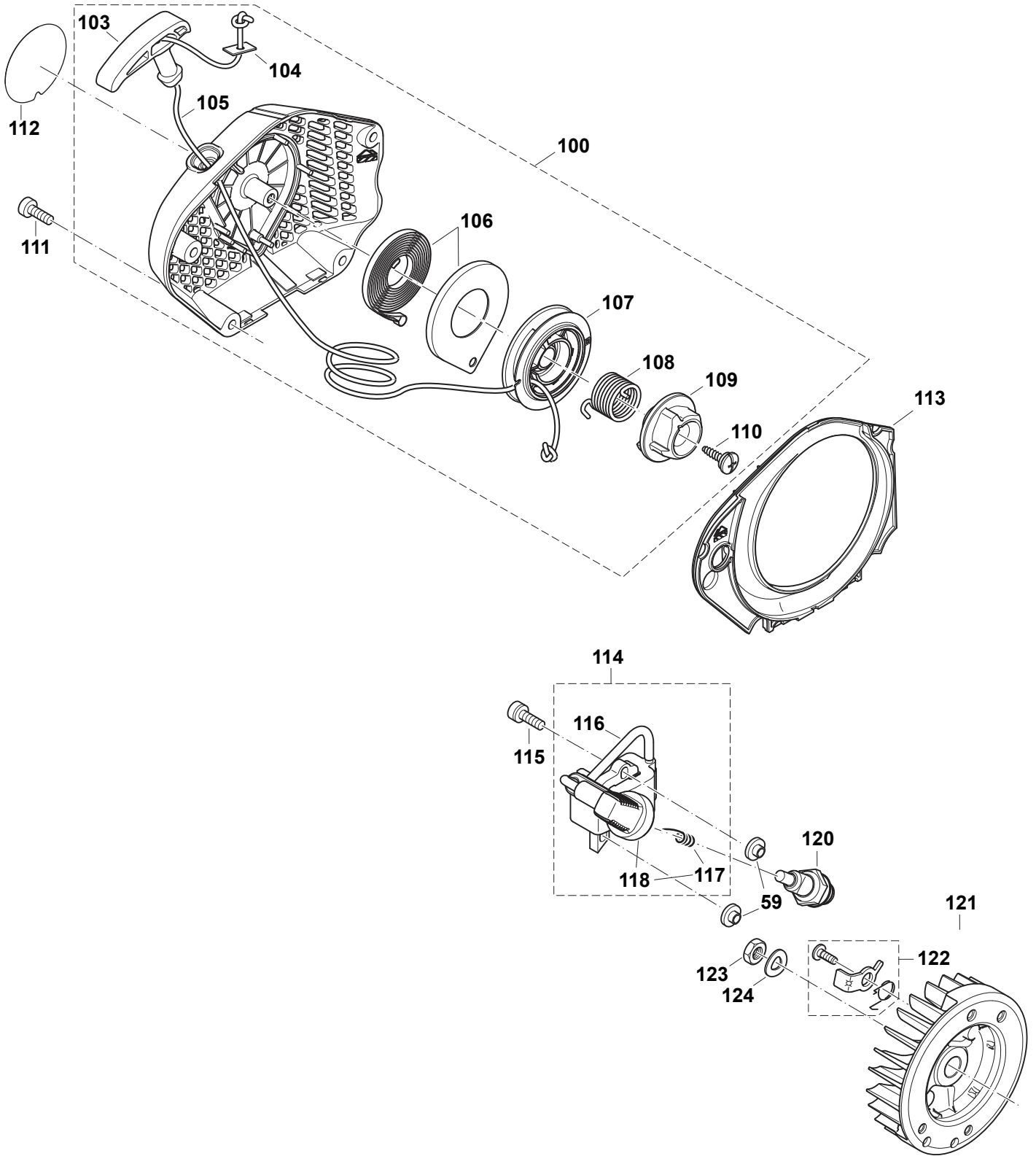
Section	Fig. No.	Part No.	Description	EA4300F40B	Tech Bulletin	Notes
2	25	195-171-020	CONNECTING MUFF	1		
2	26	195-173-150	AIR FILTER CPL.	1		
2	26	195-173-050	AIR FILTER CPL.	1		Nylon
2	27	195-131-301	BOTTOM CPL.	1		
2	28	908-005-165	H.L. SOCKET HEAD BOLT	2		
2	29	908-005-165	H.L. SOCKET HEAD BOLT	2		
2	30	195-155-050	CONTACT SPRING	1		
2	31	195-155-021	CHOKE LEVER	1		
2	32	195-147-010	IGNITION CABLE	1		
2	33	970-502-110	ISOLATING HOSE	M		
2	34	195-117-110	THROTTLE LINKAGE CPL.	1		
2	36	913-455-164	SCREW	1		
2	37	913-455-164	SCREW	1		
2	38	908-004-405	SCREW	2		
2	41	010-155-010	PRIMER	1		
2	42	965-452-090	TUBE	1		
2	43	965-452-090	TUBE	1		
2	44	181-131-021	INSERT	1		
2	45	195-131-040	SUCTION HOSE	1		
2	56	963-220-013	O RING	1		
2	57	195-131-090	PACKING RING	1		
2	76	195-118-550	COVER BLACK	1		
2	86	195-151-300	PLUG	1		
2	89	195-118-694	HOOD CPL. BLACK	1		
2	91	195-118-080	PROTECTION FILM	1		
2	92	195-118-141	INSERT	1		
2	92	195-118-140	INSERT	1		
2	93	195-155-031	GUIDE	1		
2	94	908-005-165	H.L. SOCKET HEAD BOLT	3		
2	95	980-114-928	LABEL	1		



Products with multiple versions are listed in subsiding order with the newest version on top not indented.

Corresponding bulletins are attached. Select bulletin name or attachment to view.

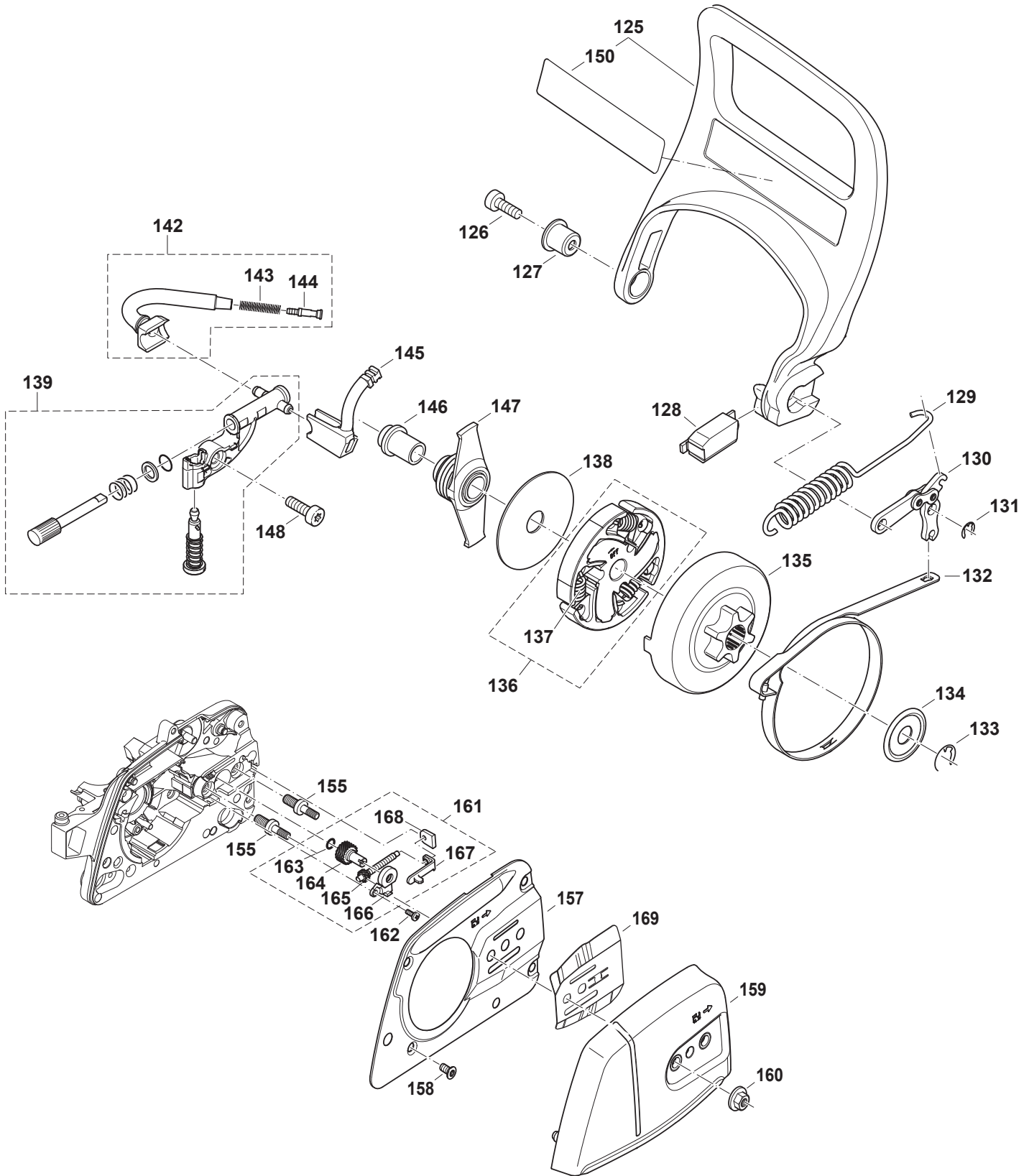
Section	Fig. No.	Part No.	Description	EA4300F40B	Tech Bulletin	Notes
3	46	038-174-030	CONNECTING LINK	1		
3	48	908-005-165	H.L. SOCKET HEAD BOLT	2		
3	49	909-005-105	SCREW	2		
3	50	908-305-405	H.L. SOCKET HEAD BOLT	1		
3	52	195-174-280	SPARK ARRESTER SCREEN	1		
3	54	195-174-550	MUFFLER	1		
3	55	195-174-060	GASKET	1		
3	59	195-143-030	ISOLATING WASHER	2		
3	60	195-131-202	CYLINDER / PISTON CPL.	1		
3	61	195-132-100	PISTON CPL.	1		
3	62	195-132-020	PISTON RING	1		
3	63	195-132-030	PISTON PIN	1		
3	64	195-132-050	SPRING RING	2		
3	65	908-405-205	H.L. SOCKET HEAD BOLT	4		
3	66	195-131-130	GASKET	1		
3	67	195-120-300	CRANKSHAFT CPL.	1		
3	68	960-123-129	COMBINATION BALL BEARING	2		
3	69	195-111-612	CRANKC. CL. SIDE BLUE	1		
3	70	195-111-622	CRANKC. M. SIDE BLUE	1		
3	71	936-430-160	CLAMPING PIN	2		
3	72	195-111-061	GASKET	1		
3	73	195-111-080	PROTECTION FILM	1		
3	75	908-005-165	H.L. SOCKET HEAD BOLT	2		
3	77	168504-9	VENT VALVE	1		
3	77	010-245-030	VENT VALVE	1		
3	78	908-405-205	H.L. SOCKET HEAD BOLT	6		
3	87	181-114-202	TANK CAP CPL.	1		
3	88	963-229-036	PACKING RING	2		
3	96	962-211-007	NEEDLE CAGE	1		



Products with multiple versions are listed in subsiding order with the newest version on top not indented.

Corresponding bulletins are attached. Select bulletin name or attachment to view.

Section	Fig. No.	Part No.	Description	EA4300F40B	Tech Bulletin	Notes
4	59	195-143-030	ISOLATING WASHER	2		
4	100	195-160-600	STARTER ASSY. BLUE	1		
4	103	453783-5	STARTER GRIP	1		
4	103	195-160-070	STARTER GRIP	1		
4	104	195-160-080	WASHER	1		
4	105	985-000-150	STARTER ROPE	1		
4	105	021-164-010	STARTER ROPE	1		
4	106	195-160-110	REWIND SPRING	1		
4	107	195-160-040	CABLE DRUM CPL.	1		
4	108	234253-1	SPRING	1		
4	108	195-160-030	SPRING	1		
4	109	195-160-020	STARTER WHEEL	1		
4	110	266777-9	SCREW	1		
4	110	195-160-010	SCREW	1		
4	111	908-005-165	H.L. SOCKET HEAD BOLT	4		
4	112	980-115-740	LABEL	1		
4	113	195-118-040	AIR GUIDE PLATE	1		
4	114	195-143-201	IGNITION COIL CPL.	1		
4	115	908-805-205	SCREW	2		
4	116	970-502-110	ISOLATING HOSE	M		
4	117	965-604-180	SPRING	1		
4	118	957-604-220	PLUG CAP CPL.	1		
4	120	965-603-040	SPARK PLUG	1		
4	121	195-141-103	FLYWHEEL CPL.	1		
4	122	195-166-100	STARTER RATCHET CPL.	2		
4	123	920-308-024	HEXAGONAL NUT	1		
4	124	267822-3	SPRING WASHER	1		
4	124	926-208-001	SPRING WASHER	1		



Products with multiple versions are listed in subsiding order with the newest version on top not indented.

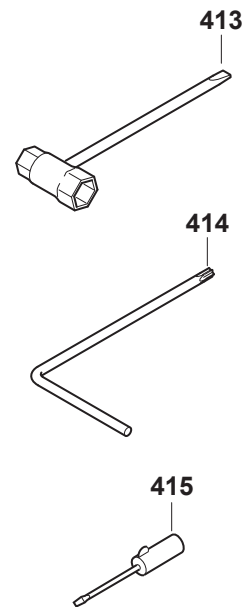
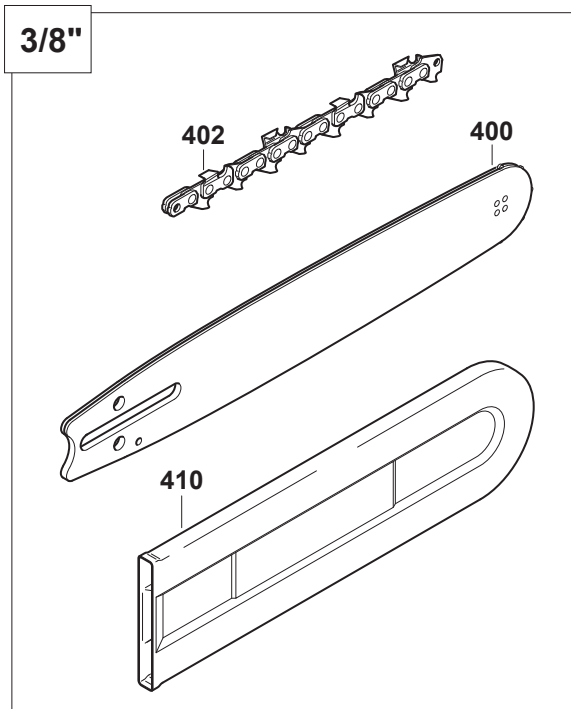
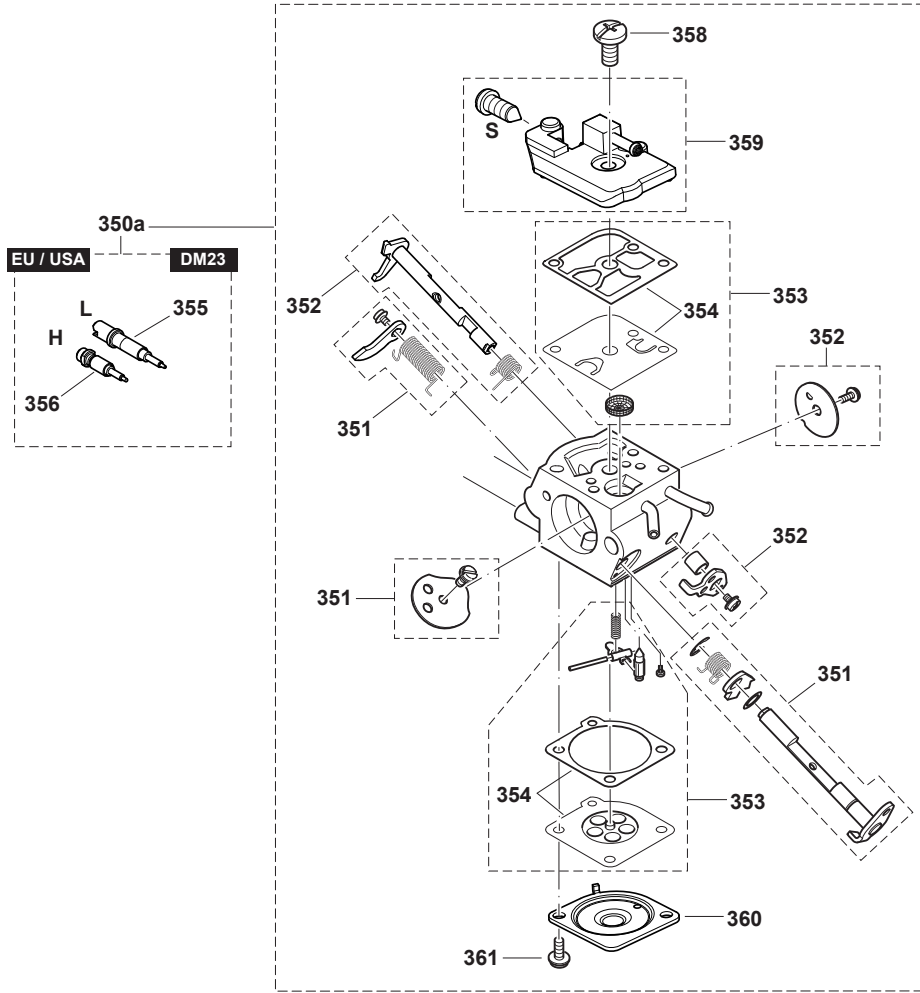
Corresponding bulletins are attached. Select bulletin name or attachment to view.

Section	Fig. No.	Part No.	Description	EA4300F40B	Tech Bulletin	Notes
5	125	195-213-500	HAND GUARD CPL.	1		
5	126	908-005-165	H.L. SOCKET HEAD BOLT	1		
5	127	181-213-320	BUSHING	1		
5	128	181-213-170	HANDGUARD GUIDE, CPL.	1		
5	129	181-213-022	TENSION SPRING	1		
5	130	163500-2	BRAKING MECHANISM	1		
5	130	181-213-100	BRAKING MECHANISM	1		
5	131	927-304-000	SAFETY WASHER	1		
5	132	181-213-011	BRAKE SPRING	1		
5	133	927-408-000	WASHER	1		
5	134	181-224-081	DISC	1		
5	135	195-223-311	CLUTCH DRUM CPL.	1		3/8"
5	135	181-223-311	CLUTCH DRUM CPL.	1		.325"
5	136	175-180-101	CLUTCH ASSY.	1		
5	137	024-184-021	SPRING	3		
5	138	001-182-042	DISC	1		
5	139	179-245-201	OIL PUMP CPL.	1		
5	142	181-245-100	SUCTION LINE	1		
5	143	231975-4	SPRING	1		
5	144	001-245-020	HOSE STEM	1		
5	145	181-245-120	PRESSURE LINE	1		
5	146	195-245-010	BUSHING	1		
5	147	181-245-090	PUMP DRIVE	1		
5	148	908-005-165	H.L. SOCKET HEAD BOLT	2		
5	150	980-114-237	LABEL	1		
5	155	195-232-010	BOLT	2		
5	157	195-213-190	COVER	1		
5	158	908-105-126	SCREW	2		
5	159	195-213-601	SPROCKET GUARD CPL. BLUE	1		
5	160	923-208-004	HAXAGONAL NUT	2		
5	161	195-213-300	CHAIN TENSIONER CPL.	1		
5	162	915-535-100	SCREW	1		
5	163	963-207-020	PACKING RING	1		
5	164	181-213-250	ADJUSTING SCREW	1		

Products with multiple versions are listed in subsiding order with the newest version on top not indented.

Corresponding bulletins are attached. Select bulletin name or attachment to view.

Section	Fig. No.	Part No.	Description	EA4300F40B	Tech Bulletin	Notes
5	165	181-213-230	TENSIONING SCREW	1		
5	166	181-213-270	TRANSMISSION COVER	1		
5	167	165-213-241	TENSION SLIDE	1		
5	168	181-213-260	TENSIONING SCREW BEARING	1		
5	169	346518-0	GUIDE PLATE	1		
5	169	195-213-120	GUIDE PLATE	1		



Products with multiple versions are listed in subsiding order with the newest version on top not indented.

Corresponding bulletins are attached. Select bulletin name or attachment to view.

Section	Fig. No.	Part No.	Description	EA4300F40B	Tech Bulletin	Notes
6	351	195-153-580	KIT CHOKE SHAFT	1		
6	352	195-153-570	KIT THROTTLE SHAFT	1		
6	353	195-153-510	REPAIR KIT	1		
6	354	195-153-500	SET GASKETS / DIAPHRAGM	1		
6	355	195-153-340	ADJUST SCREW	1		
6	356	195-153-350	ADJUST SCREW	1		
6	358	038-153-360	SCREW	1		
6	359	195-153-230	PUMP COVER CPL.	1		
6	360	195-153-360	DIAPHRAGM COVER	1		
6	361	001-153-020	SCREW	2		
6	400	442-040-661	SPROCKET NOSE BAR	1		
6	402	195400-8	SAW CHAIN	1		
6	410	952-010-640	CHAIN PROTECTION	1		
6	413	941-713-160	UNIVERSAL WRENCH	1		
6	414	940-827-000	ANGLED SCREW DRIVER	1		
6	415	944-340-001	SCREWDRIVER	1		
6	350A	195-153-200	CARBURETOR	1		