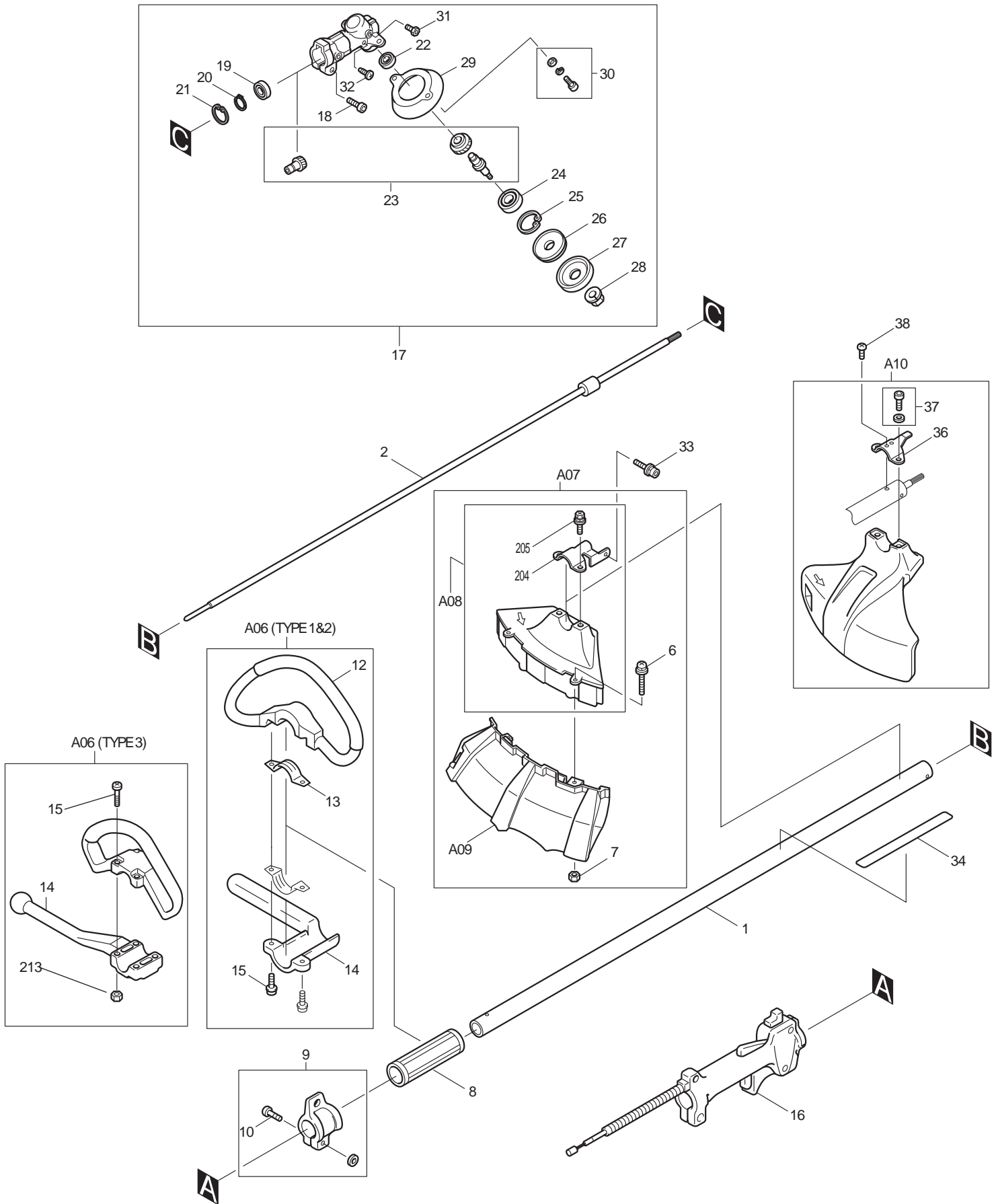
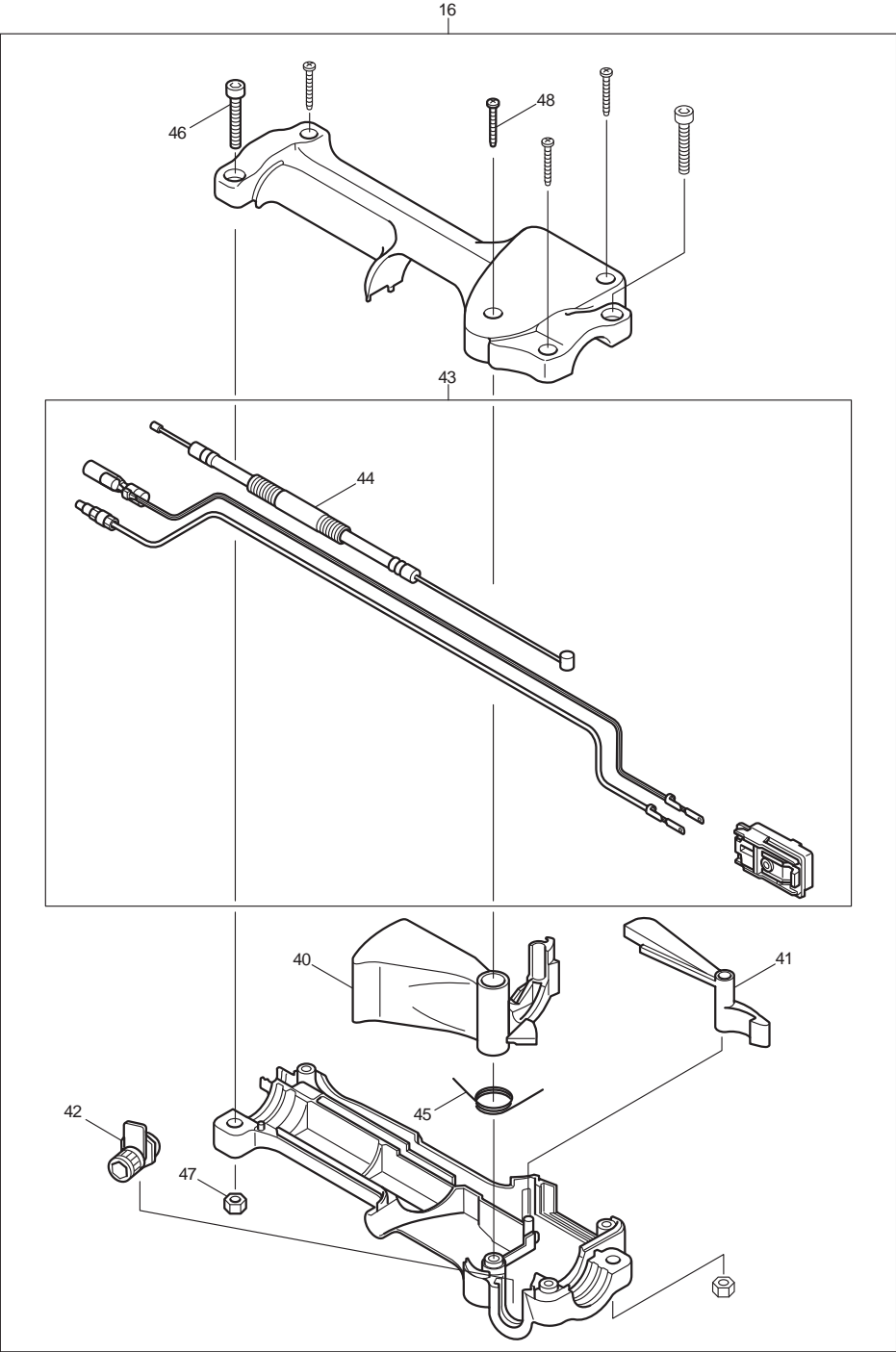


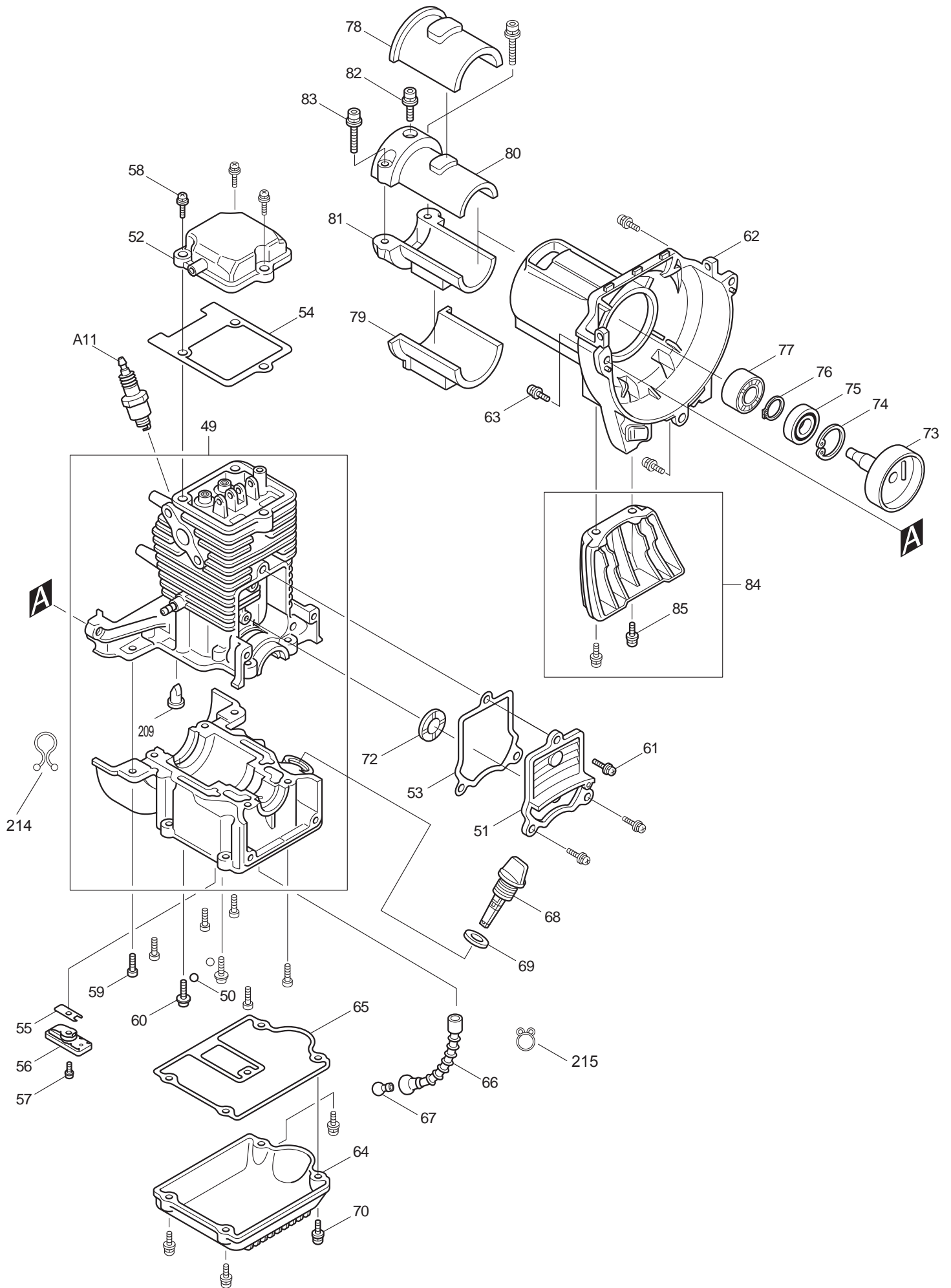


10 - 2010
EM4251, EM4251CA
4 STROKE LINE TRIMMER

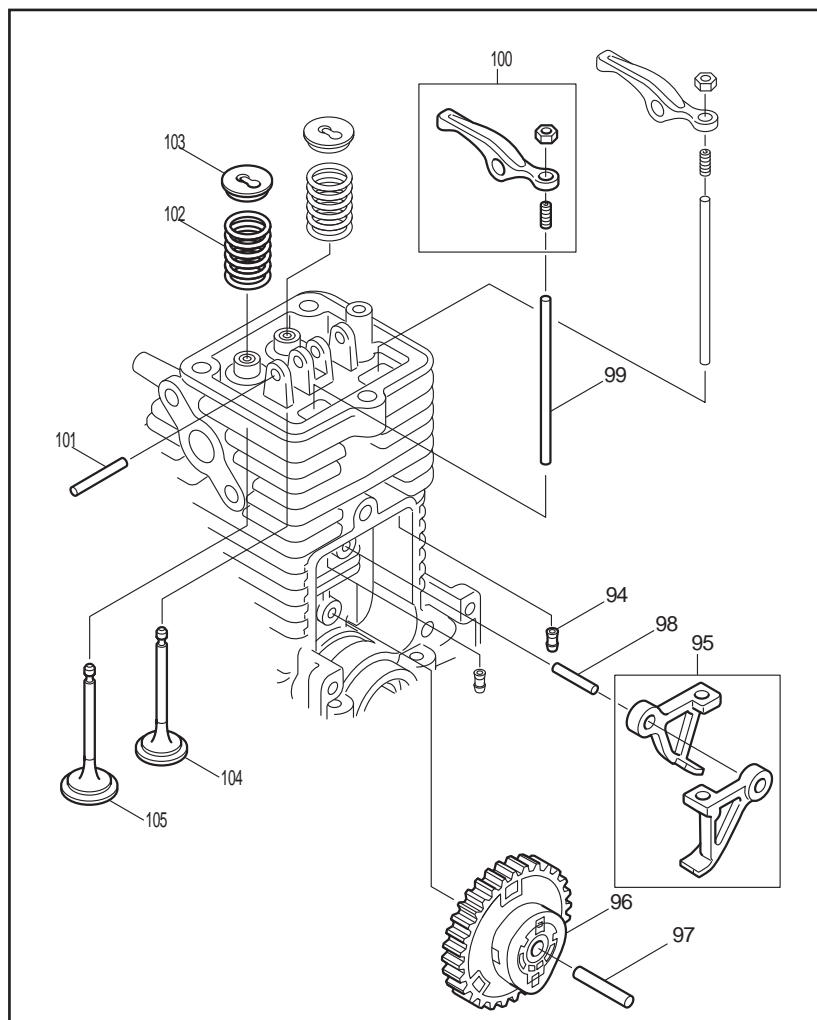
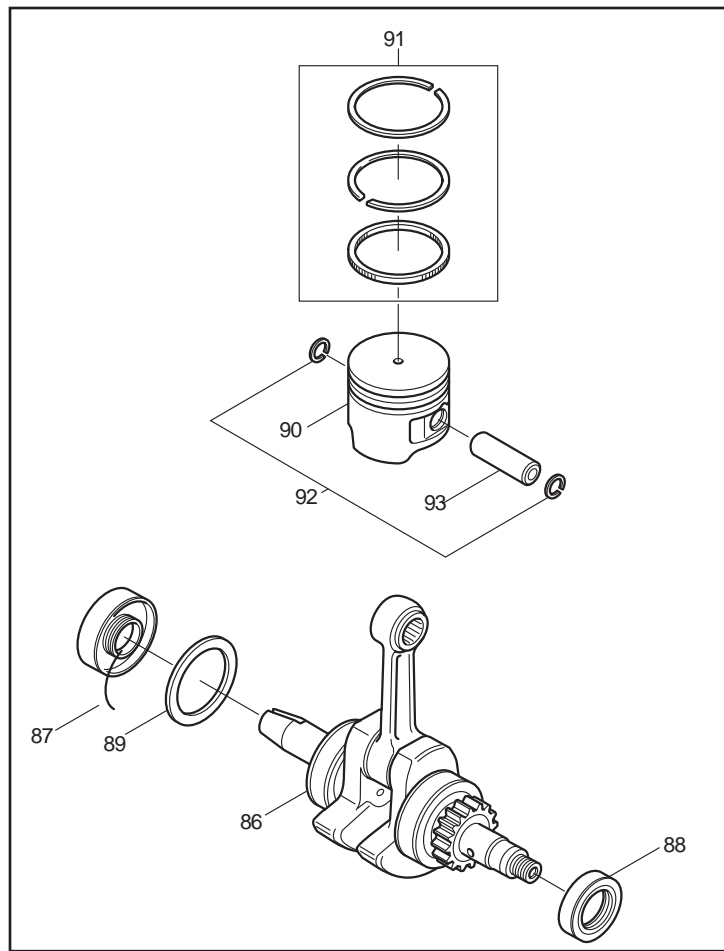


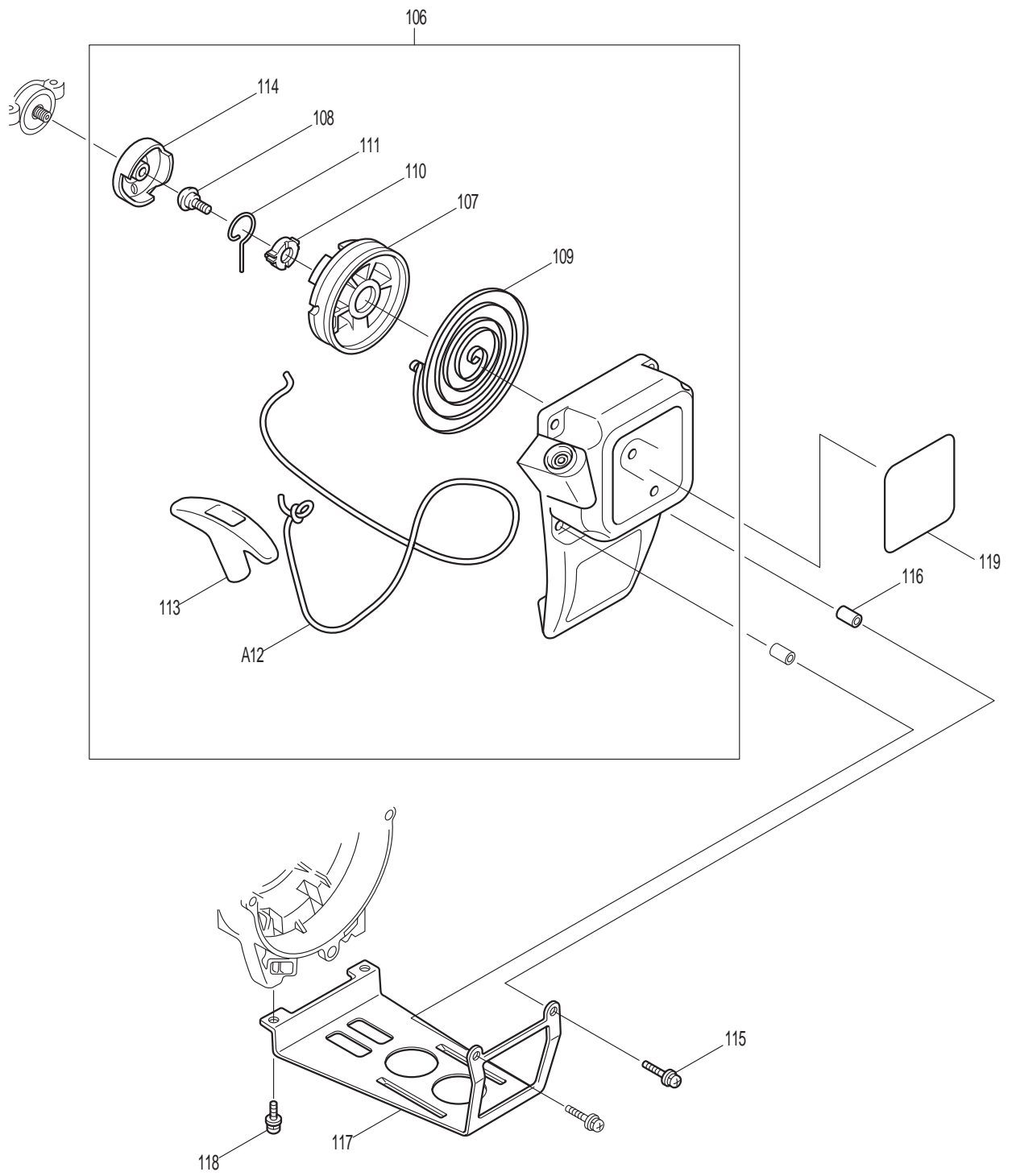
Part No. 6245003000 (Item No. 16)
CONTROL LEVER ASSEMBLY

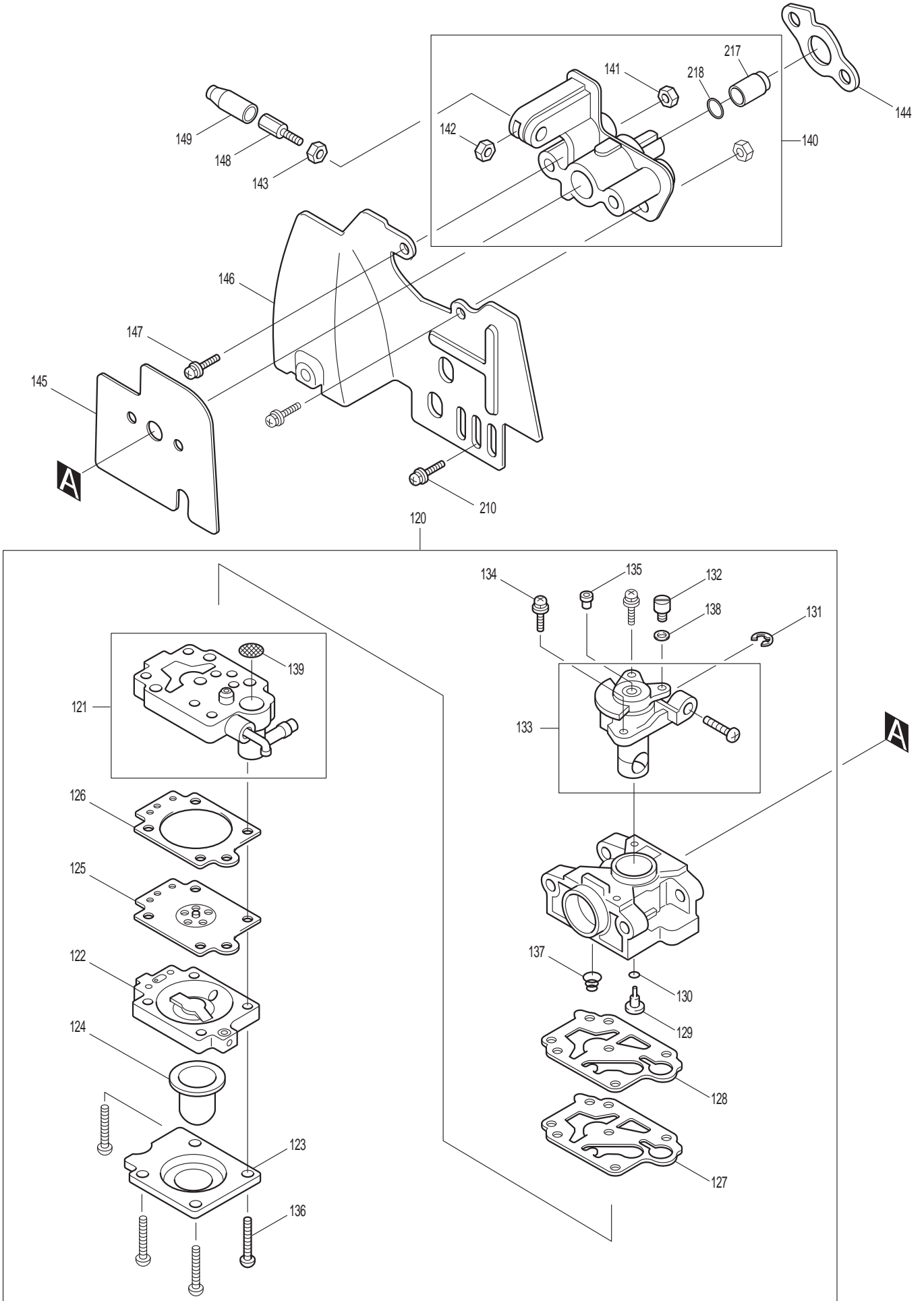


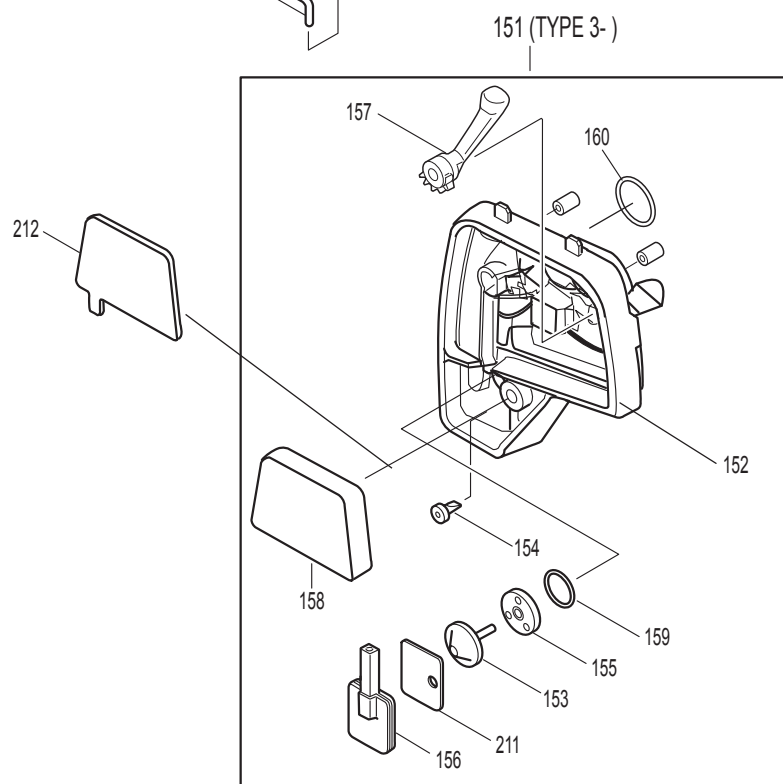
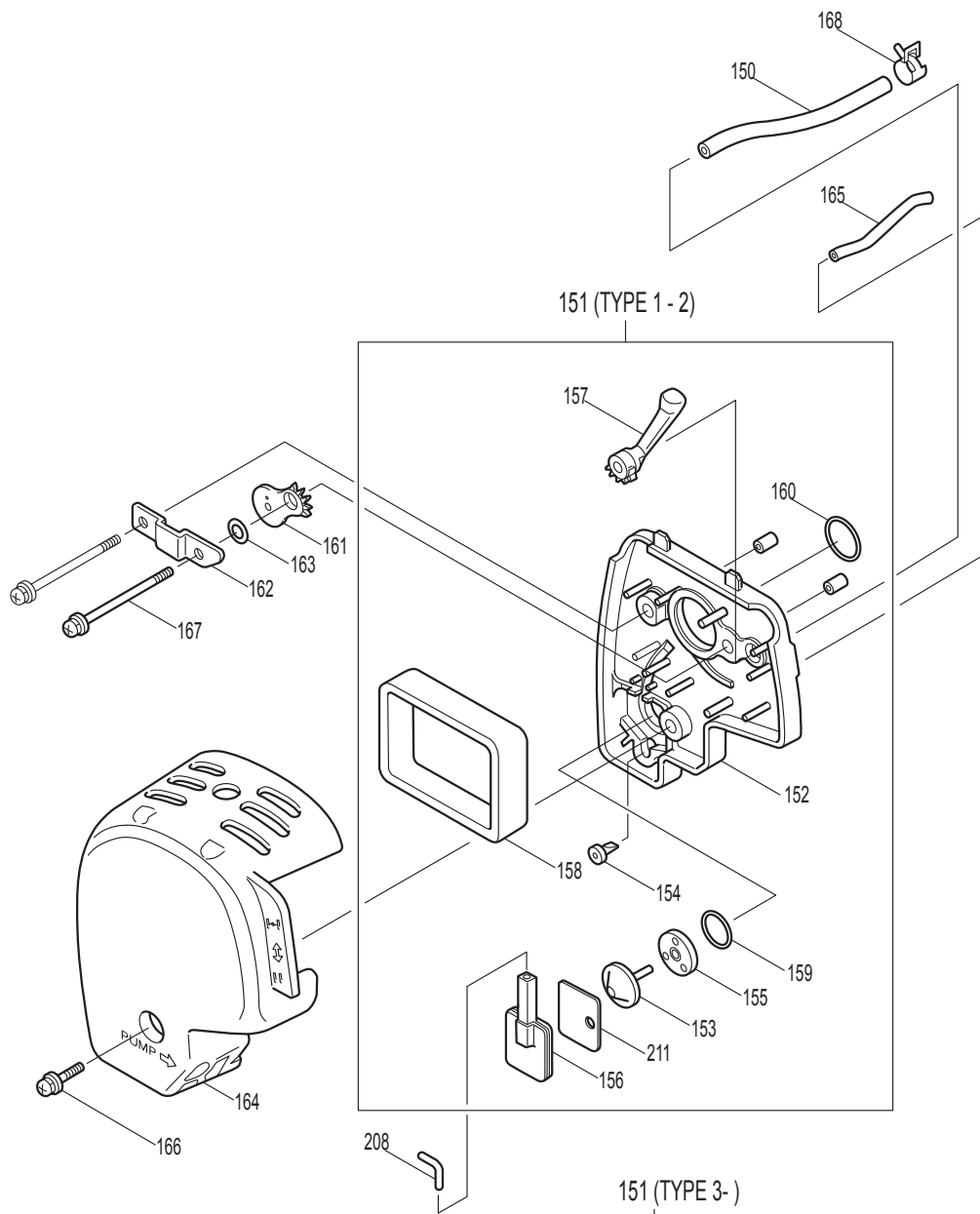


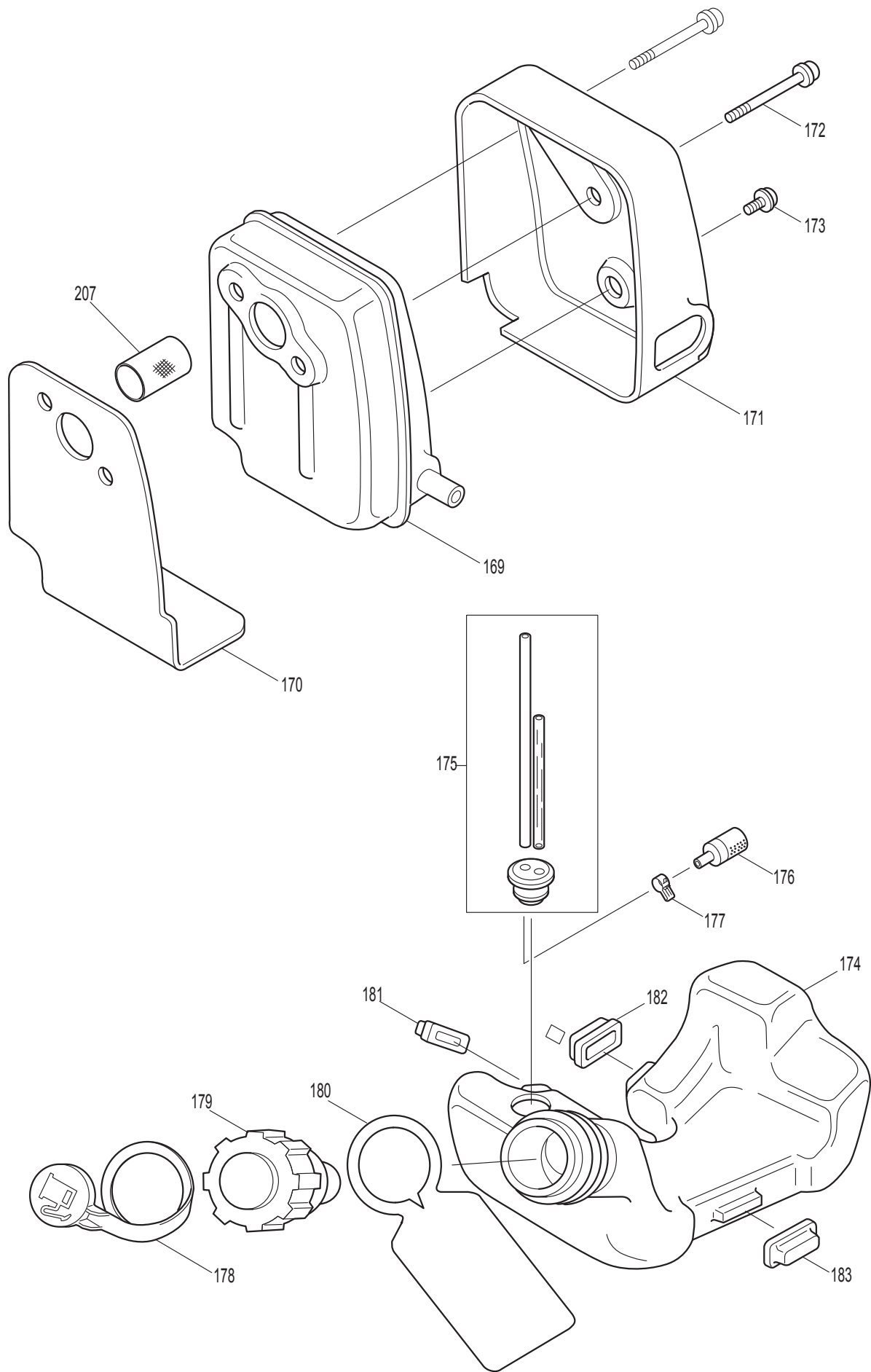
3 MODEL EM4251, EM4251CA

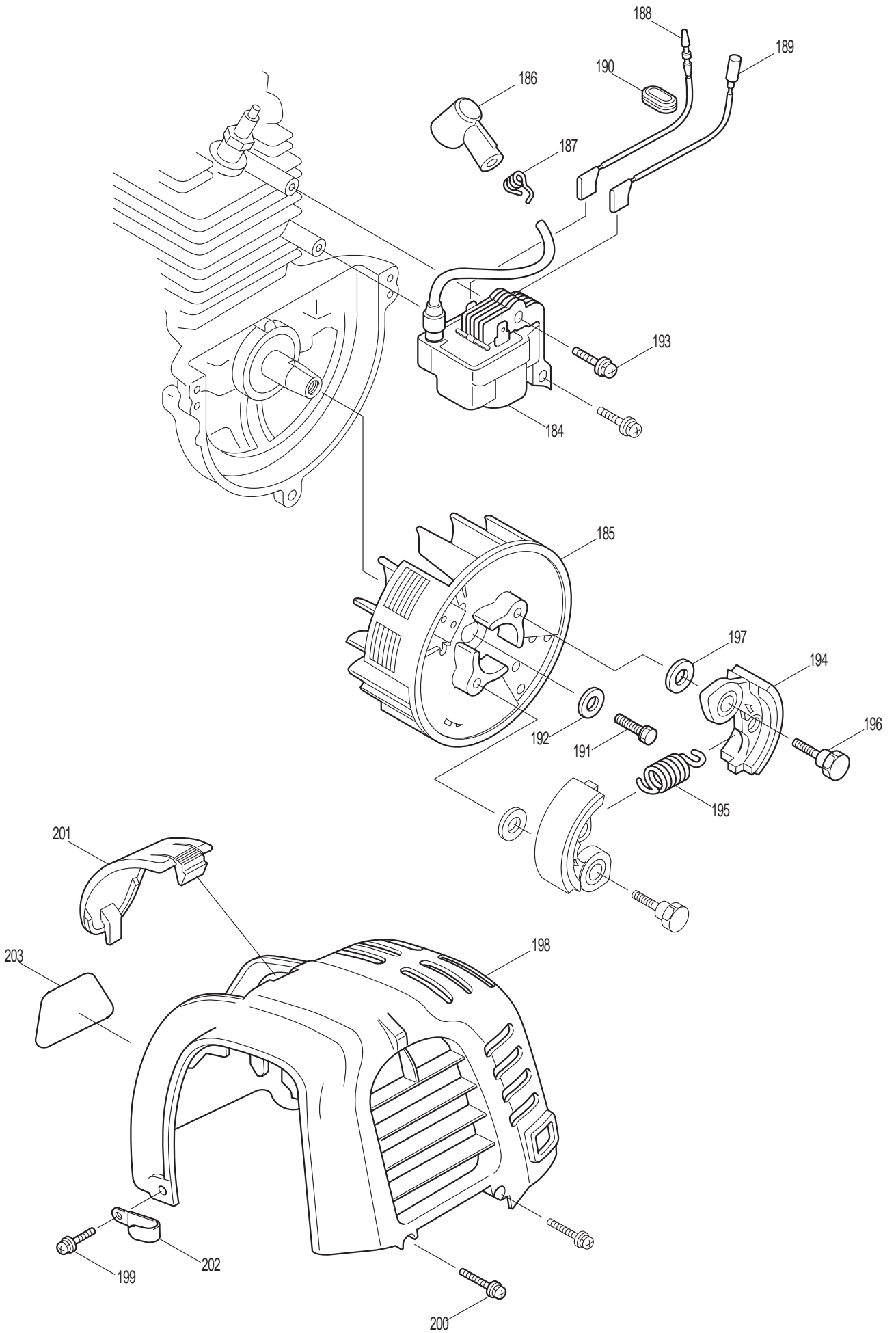












Item No	Type	Ref	Part No	Description	Qty	Unit
1			6241003000	SHAFT PIPE COMPLETE	1	PC.
2	1		6191500400	SHAFT - N/L/A	1	PC.
	2		6191500401	SHAFT	1	PC.
6			0043605400	P.H.SCREW M5X40	2	PC.
7			002-18050-00	NUT	2	PC.
8			6271501501	SPACER (OLD#6271501500 -N/L/A)	1	PC.
9			6254019000	HANGER ASS'Y	1	PC.
		INC.		Item No. 10	1	PC.
10			0043605200	SCREW & WASHER ASS'Y	1	PC.
12			6274004010	* LOOP HANDLE (OLD)	1	PC.
13			6214014010	* GUARD STAY (OLD)	2	PC.
14	1		6274004020	* LOOP HANDLE BAR (TYPE 1 - 2)	1	PC.
	3		6214016020	* HANDLE HOLDER (TYPE 3)	1	PC.
15	1		6274004040	* SOCKET HEAD BOLT M6X20	2	PC.
	2		6274004041	* SOCKET HEAD BOLT M6X18	2	PC.
	3		6214016030	* SCREW	4	PC.
16			6245003000	CONTROL LEVER ASS'Y	1	PC.
		INC.		Item No. 40-48	1	PC.
17	1		6213017003	GEAR CASE ASS'Y	1	PC.
		INC.		Item No. 18-32	1	PC.
	2		6243006002	CASE,GEAR ASSY	1	PC.
		INC.		Item No. 18-32	1	PC.
18			0119059890	SOCKET HEAD BOLT M5X25	1	PC.
19			6212500300	BALL BEARING #609ZZ	1	PC.
20	1		0031508000	OUTER SNAP RING (TYPE 1, For #6213017003)	1	PC.
	2		6193006120	OUTER SNAP RING (TYPE 2, For #6243006002)	1	PC.
21			0031424000	INNER SNAP RING	1	PC.
22			0600069990	BALL BEARING 626ZZ	1	PC.
23	1		6213021001	CUTTER SHAFT SET (TYPE1, For #6213017003)	1	PC.
	2		6243008002	CUTTER SHAFT SET (TYPE2, For #6243006002)	1	PC.
24			0600109910	BALL BEARING 600DDU	1	PC.
25			0031426000	INNER SNAP RING	1	PC.
26			6218501601	RECEIVE WASHER	1	PC.
27	1		6218003000	CLAMP COMPL. WASHER (TYPE 1 - N/L/A)	1	PC.
	2		6218003001	CLAMP COMPL. WASHER (TYPE 2)	1	PC.
28			6258505001	NUT W/SPRING WASHER	1	PC.
29			6218500200	GUARD	1	PC.
30	1		0119059780	#6213017003)	2	PC.
	2		0140059390	SCREW ASSEMBLY (TYPE2, For #6243006002)	2	PC.
31			6253011012	OIL BOLT M6X9	1	PC.
32			0043105060	PAN HEAD SCREW	1	PC.
33			0119059490	SOCKET HEAD BOLT M5X14	1	PC.
34			6249502401	CAUTION LABEL (OLD# 6249502400 - N/L/A)	1	PC.
36			6418500303	PROTECTOR CLAMP	1	PC.
37			0011706300	BOLT M6X30	2	PC.
38			0150059940	TAPPING SCREW	1	PC.
40			6195006030	LEVER	1	PC.
41			6215023060	LEVER	1	PC.
42			6215023050	ADJUST COMPLETE	1	PC.
43			6245003010	WIRE SET	1	PC.
		INC.		Item No. 44	1	PC.
44			6245003020	WIRE COMPLETE	1	PC.
45			6195006050	SPRING	1	PC.

Item No	Type	Ref	Part No	Description	Qty	Unit
46			0119059720	SOCKET HEAD BOLT M5X20	2	PC.
47			6415011160	NUT	2	PC.
48			6195006060	TAPPING SCREW M4X20	4	PC.
49			5921024000	* CYLINDER BLOCK SET	1	PC.
50			5921501200	* BALL (OLD) - N/L/A	2	PC.
51			5921500502	CAMGEAR COVER	1	PC.
52	1		5921004000	ROCKER COVER COMPLETE - N/L/A	1	PC.
	2		5921004001	ROCKER COVER COMPLETE	1	PC.
53			5921500700	CAMGEAR COVER GASKET	1	PC.
54			5921500800	ROCKER COVER GASKET	1	PC.
55			5921501000	REED VALVE	1	PC.
56			5921501100	RETAINER PLATE	1	PC.
57			0119049980	SOCKET HEAD BOLT M4X10	1	PC.
58	1		004-36051-60	SCREW ASS'Y M5X16 (W,SW)	3	PC.
	2		0119059531	SOCKET HEAD BOLT M5X16(WSW)	3	PC.
59			0119059510	SOCKET HEAD BOLT M5X14	6	PC.
60	1		0119059500	SOCKET HEAD BOLT M5X30 (W)	2	PC.
	2		0119059510	SOCKET HEAD BOLT M5X14	2	PC.
61	1		0043605140	SCREW ASS'Y M5X14	3	PC.
	2		0119059510	SOCKET HEAD BOLT M5X14	3	PC.
62			6241500203	CLUTCH CASE	1	PC.
63	2		0140059350	SCREW ASS'Y M5X18 (W,SW)	3	PC.
	3		0119059470	SOCKET HEAD BOLT M5X16	3	PC.
64			5926500000	OIL CASE	1	PC.
65			5926500100	CASE GASKET	1	PC.
66			5926500200	OIL TUBE	1	PC.
67			5926500300	OIL WEIGHT	1	PC.
68			5926500600	OIL GAUGE	1	PC.
69	1		0213160020	GASKET 16DX23X1.2T	1	PC.
	2		0213169990	GASKET	1	PC.
70	1		0043605180	SCREW ASS'Y M5X18	4	PC.
	2		0119059510	SOCKET HEAD BOLT M5X14	4	PC.
72			5923503800	* WASHER (OLD) - N/L/A	1	PC.
73			6242003000	CLUTCH DRUM COMPLETE	1	PC.
74			0031432000	INNER SNAP RING	1	PC.
75			0600129950	BALL BEARING #6201DD/#6201 2RU	1	PC.
76			0031512000	OUTER SNAP RING	1	PC.
77			6241500300	SPACER	1	PC.
78			6241500401	PIPE DAMPER 1	1	PC.
79			6241500501	PIPE DAMPER 2	1	PC.
80			6241500601	PIPE BRACKET 1	1	PC.
81			6241500701	PIPE BRACKET 2	1	PC.
82			0119059900	SOCKET HEAD BOLT M5X12, W/SW	1	PC.
83			0119059950	SOCKET HEAD BOLT M5X18, W/SW	2	PC.
84			5219002000	STAND SET	1	PC.
		INC.		Item No. 85	1	PC.
85			0140059480	SCREW ASS'Y M5X14, W/W&SW	2	PC.
86			5922003000	CRANK SHAFT ASS'Y	1	PC.
87			0440129960	OIL SEAL (L)	1	PC.
88			0440109970	OIL SEAL (S)	1	PC.
89			5421500500	CLIP	1	PC.
90			5922500900	PISTON	1	PC.
91			5922004000	PISTON RING SET	1	PC.

Item No	Type	Ref	Part No	Description	Qty	Unit
92			0565089970	CLIP	2	PC.
93			5232502600	PISTON PIN	1	PC.
94			5921501400	SPACER	2	PC.
95			5923500001	CAM LIFTER	2	PC.
96			5933003000	* CAM GEAR ASS'Y	1	PC.
97			5923500501	CAM GEAR SHAFT	1	PC.
98			5923500600	CAM LIFTER SHAFT	1	PC.
99			5923500700	PUSH ROD	2	PC.
100			5933002000	* ROCKER ARM ASS'Y	2	PC.
101			5933500100	* ROCKER SHAFT	1	PC.
102			5923501200	VALVE SPRING	2	PC.
103			5923501300	SPRING RETAINER	2	PC.
104			5923501400	EXHAUST VALVE	1	PC.
105			5923501500	INTAKE VALVE	1	PC.
106			5925001002	STARTER COVER ASS'Y	1	PC.
		INC.		Item No. 107-114	1	PC.
107			5925001030	REEL	1	PC.
108			5195002060	SET SCREW	1	PC.
109			5215002030	SPIRAL SPRING	1	PC.
110			5195002110	COLLAR	1	PC.
111			5195002100	SWING ARM	1	PC.
113			5225004020	HANDLE	1	PC.
114			5195500000	PULLEY	1	PC.
115			0043604250	SCREW ASS'Y M4X25	2	PC.
116			0230049940	SPACER	2	PC.
117			5929500800	TANK GUARD	1	PC.
118			0043605100	SCREW ASSEMBLY	2	PC.
119			6249501101	MODEL LABEL	1	PC.
120			5926009000	* CARBURETOR	1	PC.
		INC.		* Item No. 121-124,125,126-128,129, 130-132, 134, 136-138	1	PC.
121	1		5926002060	PUMP BODY ASS'Y	1	PC.
		INC.		Item No. 139	1	PC.
	2		5926002140	PUMP BODY ASS'Y	1	PC.
		INC.		Item No. 139	1	PC.
122			5236046140	* AIR PURGE BODY ASS'Y	1	PC.
123			5236046050	PRIMER PUMP COVER	1	PC.
124			5246001150	PRIMER PUMP	1	PC.
125			5926008010	METERING DIAPHRAGM ASS'Y	1	PC.
126			5236046040	METERING DIAPHRAGM GASKET	1	PC.
127			5246001040	PUMP DIAPHRAGM	1	PC.
128			5926002040	PUMP GASKET	1	PC.
129			5196002020	* JET	1	PC.
130			5246001010	O RING	1	PC.
131			5316005120	RING	1	PC.
132			5236018040	SWIVEL	1	PC.
134			5206008030	PAN HEAD SCREW	2	PC.
136			5236046010	PUMP COVER SCREW	4	PC.
137			5926002020	PUMP SPRING	1	PC.
138			5426005030	WASHER	1	PC.
139			5016004010	INLET SCREEN	1	PC.
140			5923016000	* INSULATOR COMPLETE	1	PC.
141			002-17050-00	* NUT M5 (OLD)	2	PC.
142			002-27060-00	* NUT M6 (OLD)	1	PC.

Item No	Type	Ref	Part No	Description	Qty	Unit
143			002-27060-00	* NUT M6 (OLD)	1	PC.
144			5923504700	* INSULATOR GASKET	1	PC.
145	1		5923501900	CARBURETOR GASKET	1	PC.
	2		5923504000	CARBURETOR GASKET	1	PC.
146			5923502000	* CARBURETOR INSULATOR	1	PC.
147	1		0043605180	SCREW ASS'Y M5X18	2	PC.
	2		0119059870	SOCKET HEAD BOLT M5X18	2	PC.
148			0149069972	ADJUST SCREW	1	PC.
149			5246004150	CAP	1	PC.
150			5921500900	BREATHER PIPE	1	PC.
151			5933001000	* CLEANER PLATE ASS'Y	1	PC.
		INC.		Item No. 152-160	1	PC.
152			5933005000	* AIR CLEANER PLATE COMPLETE	1	PC.
153			5316500701	CHECK VALVE	1	PC.
154			5923502400	CHECK VALVE (1)	1	PC.
155			5923502500	CHECK VALVE PLATE	1	PC.
156			5933501600	* SEPARATOR PLATE (OLD 5923503300 - N/L/A)	1	PC.
157			5923502200	CHOKE LEVER	1	PC.
158			5933501200	* AIR CLEANER ELEMENT	1	PC.
159			0240139970	O RING P14	1	PC.
160			0240159990	O RING P15	1	PC.
161	1		5923502300	CHOKE PLATE	1	PC.
	2		5923502301	CHOKE PLATE	1	PC.
162			5923502600	PLATE	1	PC.
163			0213069990	GASKET	1	PC.
164			5933500800	* AIR CLEANER COVER	1	PC.
165			5923503001	PIPE	1	PC.
166			0140059480	SCREW ASS'Y M5X14, W/W&SW	1	PC.
167			5923503100	SCREW M5X68 (W,SW SUS)	2	PC.
168			0561080010	HOSE CLAMP	1	PC.
169			5923001000	EXHAUST MUFFLER	1	PC.
170			5923501601	MUFFLER GASKET	1	PC.
171			5923503400	MUFFLER COVER	1	PC.
172			0119059520	SOCKET HEAD BOLT M5X40	2	PC.
173			0140059962	SCREW M5X6 (USE 014-00599-62)	1	PC.
173			014-00599-62	SCREW M5X6	1	PC.
174			5926500400	FUEL TANK	1	PC.
175			5926003000	TUBE	1	PC.
176			5236503900	FILTER	1	PC.
177			0561059990	HOSE CLAMP	1	PC.
178			5926012000	* FUEL TANK CAP	1	PC.
179			5256067000	* STRAP	1	PC.
180			6249501501	STRAP	1	PC.
181			5036500200	PLATE	1	PC.
182			5036500300	PLATE	1	PC.
183	1		5196500301	DAMPER	1	PC.
	2		5196500302	DAMPER	1	PC.
184	1		5927001010	IGNITION COIL	1	PC.
	2		5927012010	IGNITION COIL	1	PC.
	3		5927012011	IGNITION COIL	1	PC.
185	1		5927001020	FLYWHEEL	1	PC.
	2		5927001021	FLYWHEEL	1	PC.
186			5927500100	PLUG CAP	1	PC.

Item No	Type	Ref	Part No	Description	Qty	Unit
187			0654009931	PLUG CAP SPRING (USE 065-40099-31)	1	PC.
187			065-40099-31	PLUG CAP SPRING	1	PC.
188			5927003000	WIRE COMPLETE	1	PC.
189			5257018001	WIRE COMPLETE	1	PC.
190			5257500300	* GROMMET (OLD)	1	PC.
191			0011306160	BOLT ASS'Y	1	PC.
192			0031206000	WASHER	1	PC.
193	2		0043704200	SCREW ASS'Y M4X20	2	PC.
	3		0119049970	SOCKET HEAD BOLT	2	PC.
194			5928500000	CLUTCH SHOE	2	PC.
195			5928500100	SPRING	1	PC.
196			5928500200	CLUTCH BOLT	2	PC.
197			5928500300	WASHER	2	PC.
198			5925500800	CYLINDER COVER	1	PC.
199			0043605100	SCREW ASSEMBLY	2	PC.
200			0043604160	SCREW M4X16(W,SW)	2	PC.
201			5927500000	PLUG COVER	1	PC.
202			0566059980	CLAMP	1	PC.
203			5929501001	TRADE MARK LABEL	1	PC.
204			6258508200	PROTECTOR CLAMP	1	PC.
205			0011706300	BOLT M6X30	2	PC.
207	1		5923008010	SPARK ARRESTER	1	PC.
	2		5923008011	SPARK ARRESTER	1	PC.
208			5923503900	* PIPE (OLD) - N/L/A	1	PC.
209			5921501800	* CHECK VALVE (ADDED)	2	PC.
210	1		0043605100	* SCREW ASSEMBLY	1	PC.
	2		0119059780	* SOCKET HEAD BOLT M5X12, W/W&SW	1	PC.
211			5923503500	* GASKET SEPARATOR	1	PC.
212			5933500900	* AIR CLEANER ELEMENT	1	PC.
213			002-27050-00	* NUT M5 (ADDED)	4	PC.
214			5926501300	* CLAMP (ADDED)	1	PC.
215			0561059970	* HOSE CLAMP (ADDED)	1	PC.
217			5923504600	* INTAKE PIPE (ADDED)	1	PC.
218	2		213078-6	* ORING 10 (ADDED)	1	PC.

ACCESSORIES

- See catalogue or visit www.makita.ca for more accessories information -

A01			6207003002	BAND ASS'Y	1	PC.
		INC.	6257500400	HOOK	1	PC.
A02	1		6418500701	CUTTER COVER	1	PC.
	2		6418027000	CUTTER COVER (2PC/SET)	1	SET
A03	1		6249006000	* TOOL SET (TYPE 1 - 2)	1	PC.
	3		6249000000	* TOOL SET (TYPE 3)	1	PC.
A04	1		0722105000	OIL BOTTLE	1	PC.
	2		0722104600	OIL BOTTLE	1	PC.
A05			B-60143	BUMP & FEED BF4L, NYLON CUTTING HEAD (LH)	1	PC.
			B-70275	SUPER AUTO HEAD 1X ASSY (LH) (OPTION)	1	PC.
A06			6214016000	* HANDLE SET	1	PC.
		INC.		Item No. 14,15, 213	1	PC.
A07	1		6258047002	PROTECTOR ASS'Y (F/LINE & BLADE)	1	PC.
		INC.		Item No. 6, 7, A08, A09	1	PC.
	2		6258060001	PROTECTOR ASS'Y (F/LINE & BLADE)	1	PC.
		INC.		Item No. 6, 7, A08, A09, A13	1	PC.

Item No	Type	Ref	Part No	Description	Qty	Unit
A08	1		6258050000	PROTECTOR ASS'Y (F/BLADE)	1	PC.
		INC.		Item No. 204, 205	1	PC.
	2		6258061001	PROTECTOR ASS'Y (F/BLADE)	1	PC.
		INC.		Item No. 204, 205	1	PC.
A09	1		6258049002	PROTECTOR COM.(F/LINE)	1	PC.
	2		6258053001	PROTECTOR COM.(F/LINE)	1	PC.
A10			6218008003	PROTECTOR ASS'Y	1	PC.
		INC.		Item No. 36,37	1	PC.
A11			0650109950	SPARK PLUG CMR6A	1	PC.
A12			5925001050	STARTER ROPE	1	PC.
A13			6258042002	PROTECTOR COM. (F/HARD CUTTER) - N/L/A	1	PC.