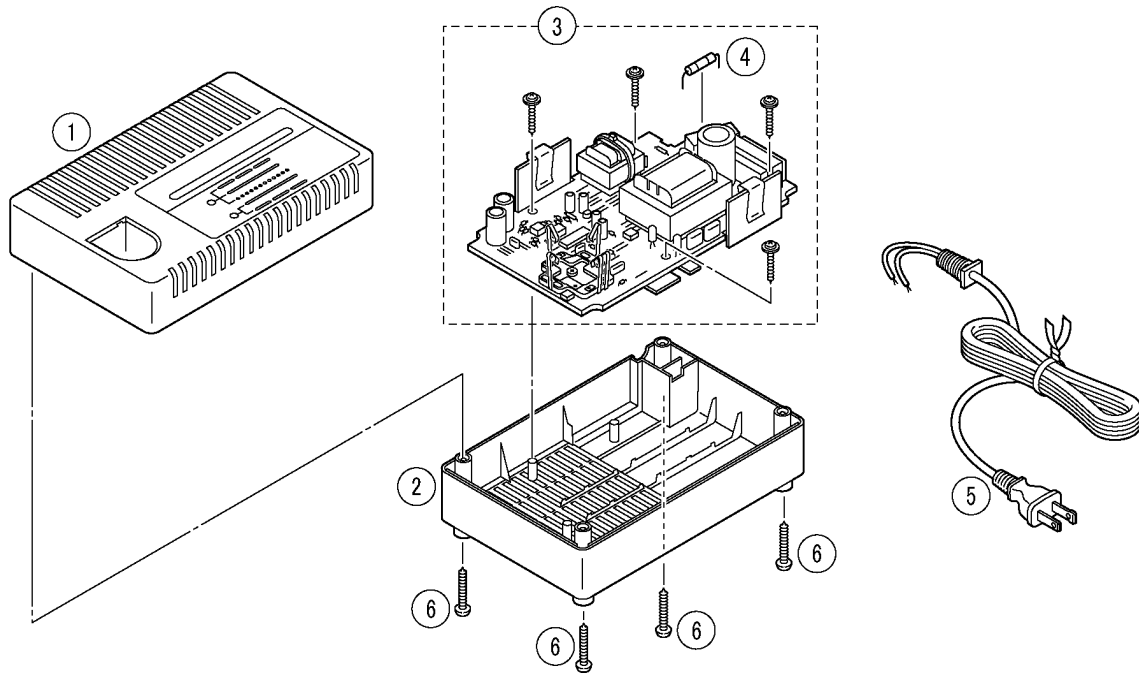


3 EXPLODED VIEW



4 REPLACEMENT PARTS LIST

NOTE:

*B=only available as set

*C=available individually

Ref. No.	Part No.	Part Name & Description	Remarks	Per Unit
1	WEY0110K3098	HOUSING A		1
2	WEY0110K3028	HOUSING B		1
3	WEY0110L2128	MODULE		1
4	EY0230L5258	FUSE	125V, 3A	1
5	EY0230K2058	POWER CORD		1
6	EY0217K6237	TORX TAPPING SCREW	*C K3-20	4
-	WEY0110K8008	INDIVIDUAL BOX		▲ 1
-	WEY0110K8108	OPERATING INSTRUCTIONS		▲ 1