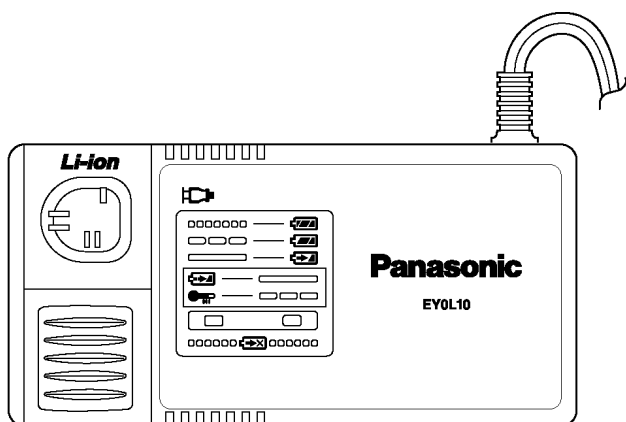


Service Manual

Battery charger

EY0L10-U1



SPECIFICATIONS

Input	120V AC, 50-60Hz
Output	4.8A
Power consumption	Max. 30W
Weight	0.6 kg (1.3lbs.)

⚠ WARNING

This service information is designed for experienced repair technicians only and is not designed for use by the general public. It does not contain warnings or cautions to advise non-technical individuals of potential dangers in attempting to service a product. Products powered by electricity should be serviced or repaired only by experienced professional technicians. Any attempt to service or repair the product or products dealt with in this service information by anyone else could result in serious injury or death.

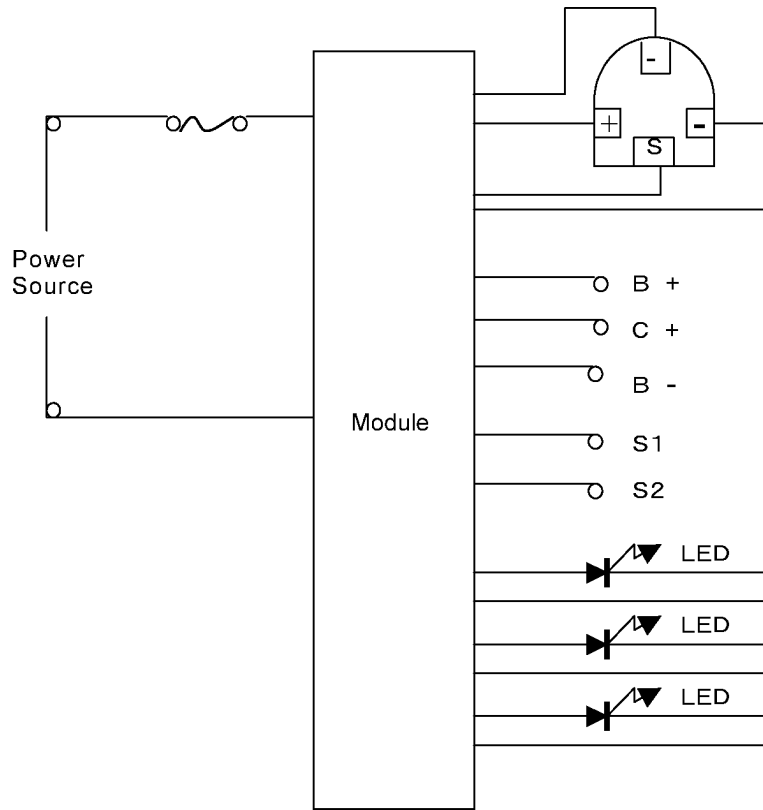
CONTENTS

	Page		Page
1 SCHEMATIC DIAGRAM	2	4 EXPLODED VIEW	5
2 TROUBLESHOOTING GUIDE	3	5 REPLACEMENT PARTS LIST	5
3 CAUTION IN DISASSEMBLY/ASSEMBLY	4		

Panasonic®

© 2006 Matsushita Electric Works Ltd. All rights reserved. Unauthorized copying and distribution is a violation of law.

1 SCHEMATIC DIAGRAM

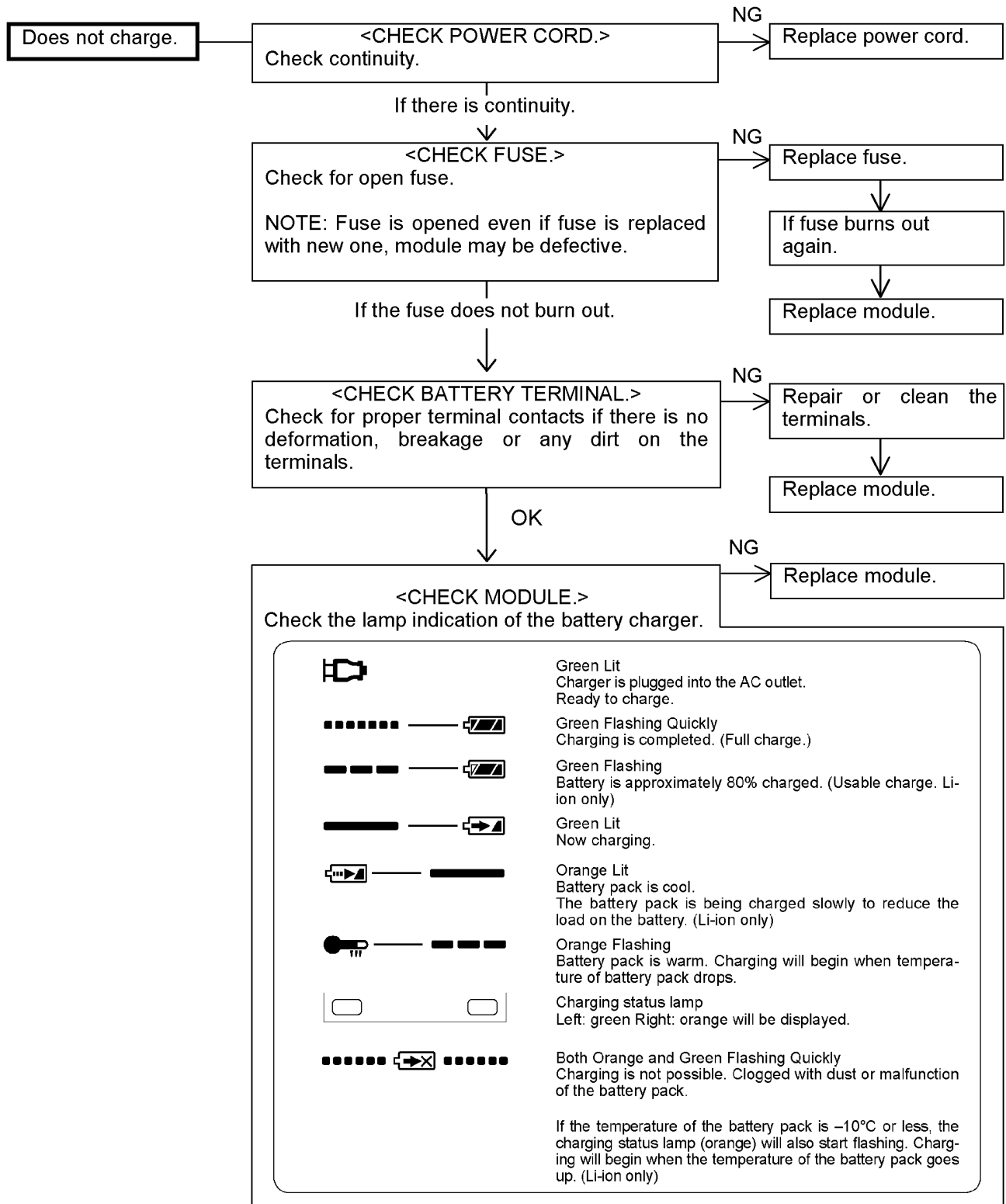


2 TROUBLESHOOTING GUIDE

< TROUBLE >

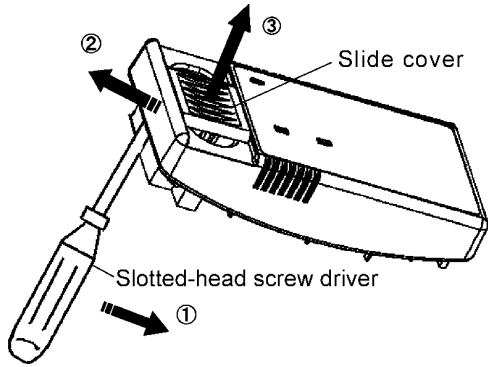
< CHECK >

< REMEDY >



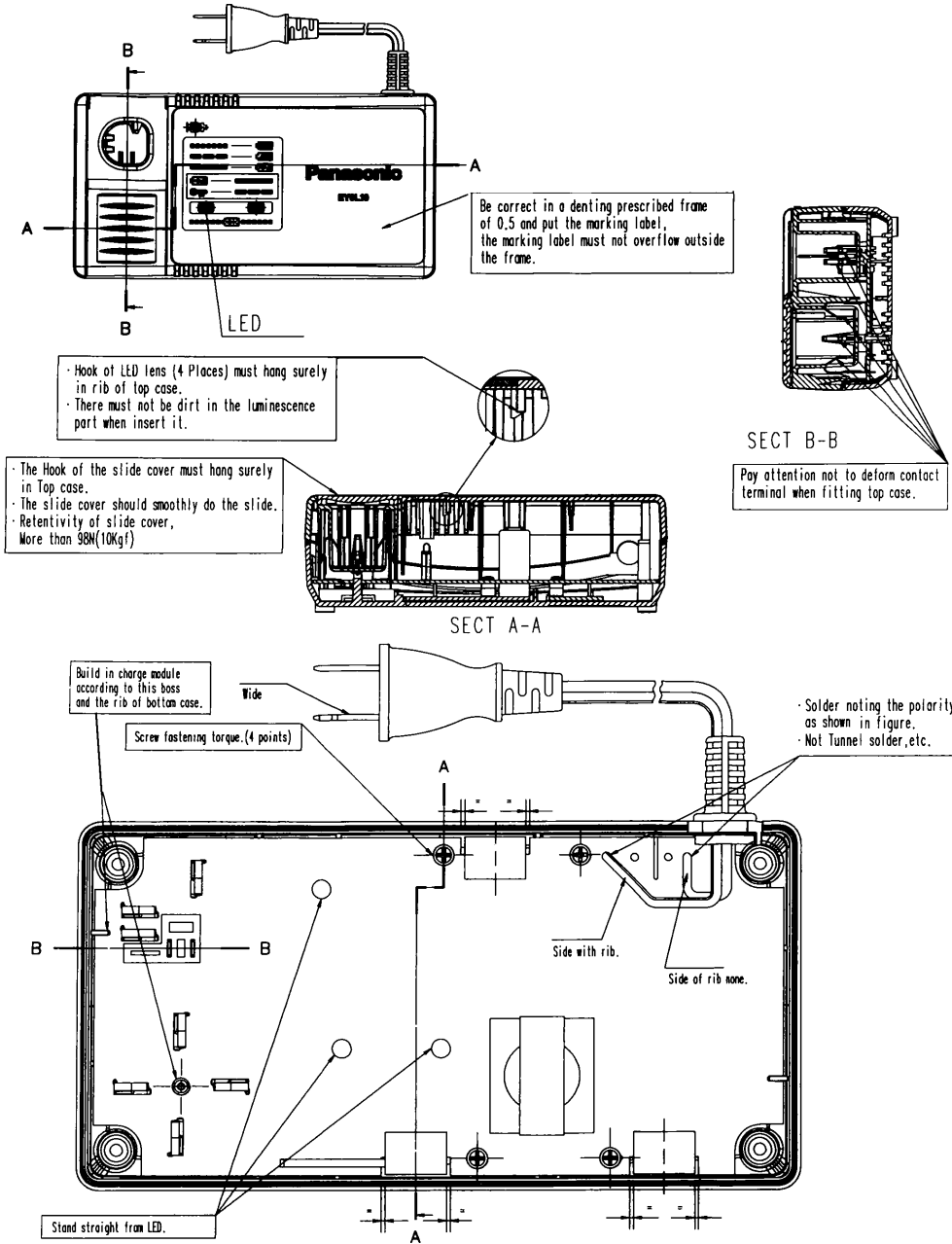
3 CAUTION IN DISASSEMBLY/ASSEMBLY

3.1. Housing A

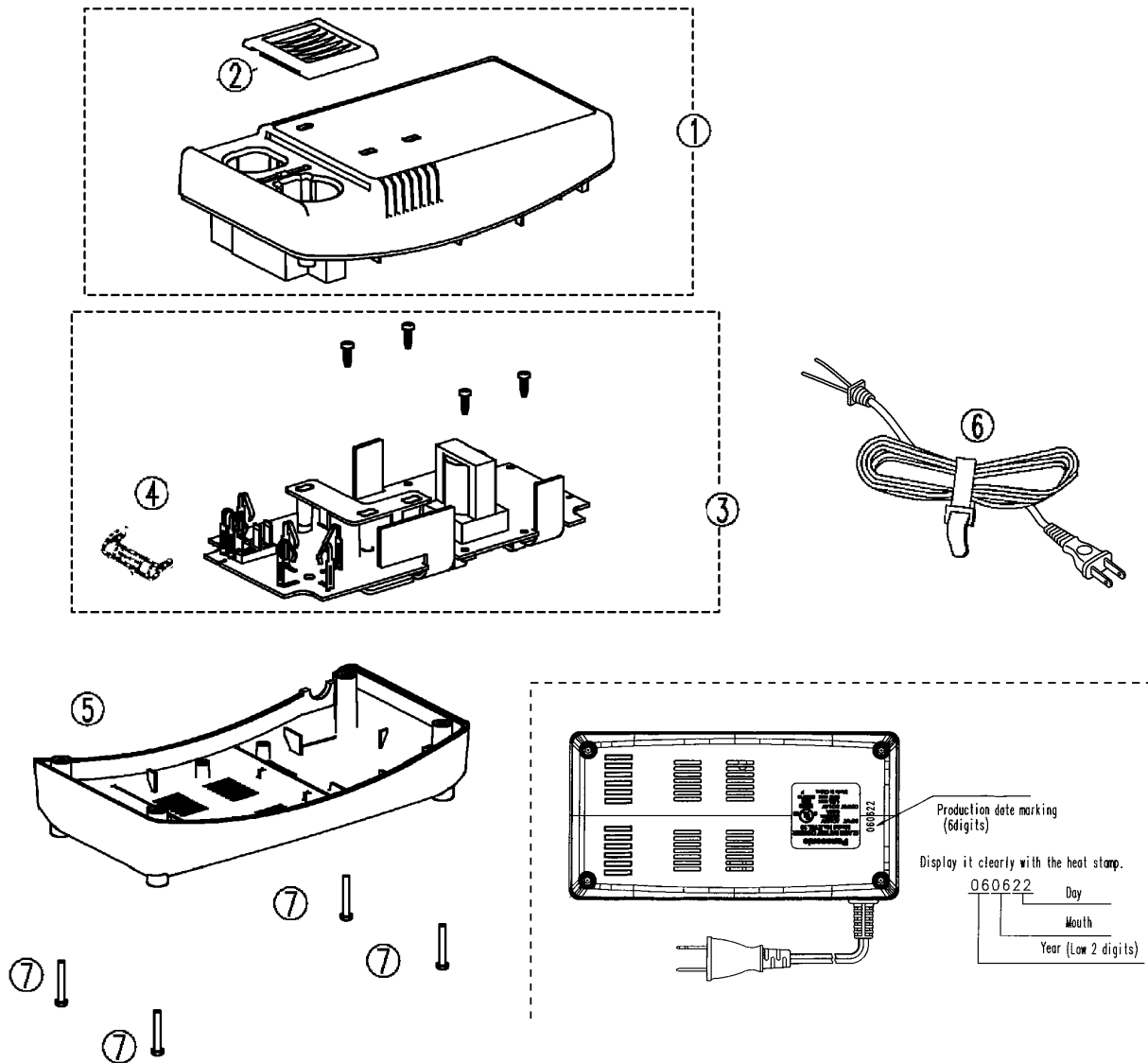


1. Insert the slotted-head screw driver into the slit between Housing A and Slide cover.
2. Slightly spread Housing outward and set Slide cover in the middle.
3. Take Slide cover out.

3.2. Main Unit



4 EXPLODED VIEW



5 REPLACEMENT PARTS LIST

NOTE:

*B=only available as set

*C=available individually

Ref.No.	Part No.	Part Name & Description	Remarks	Per Unit
1	WEY0L10K3098	HOUSING A		1
2	WEY0L10K3107	SLIDE COVER		1
3	WEY0L10L2108	MODULE		1
4	WEY0L10L2618	FUSE	250V 3.15A	1
5	WEY0L10K3028	HOUSING B		1
6	WEY0L10K2058	POWER CORD	A-2 PLUG	1
7	WEY0L10K6238	TORX TAPPING SCREW	*C K3-20	4
-	WEY0L10K8008	INDIVIDUAL BOX		1
-	WEY0L10K8108	OPERATING INSTRUCTIONS		1