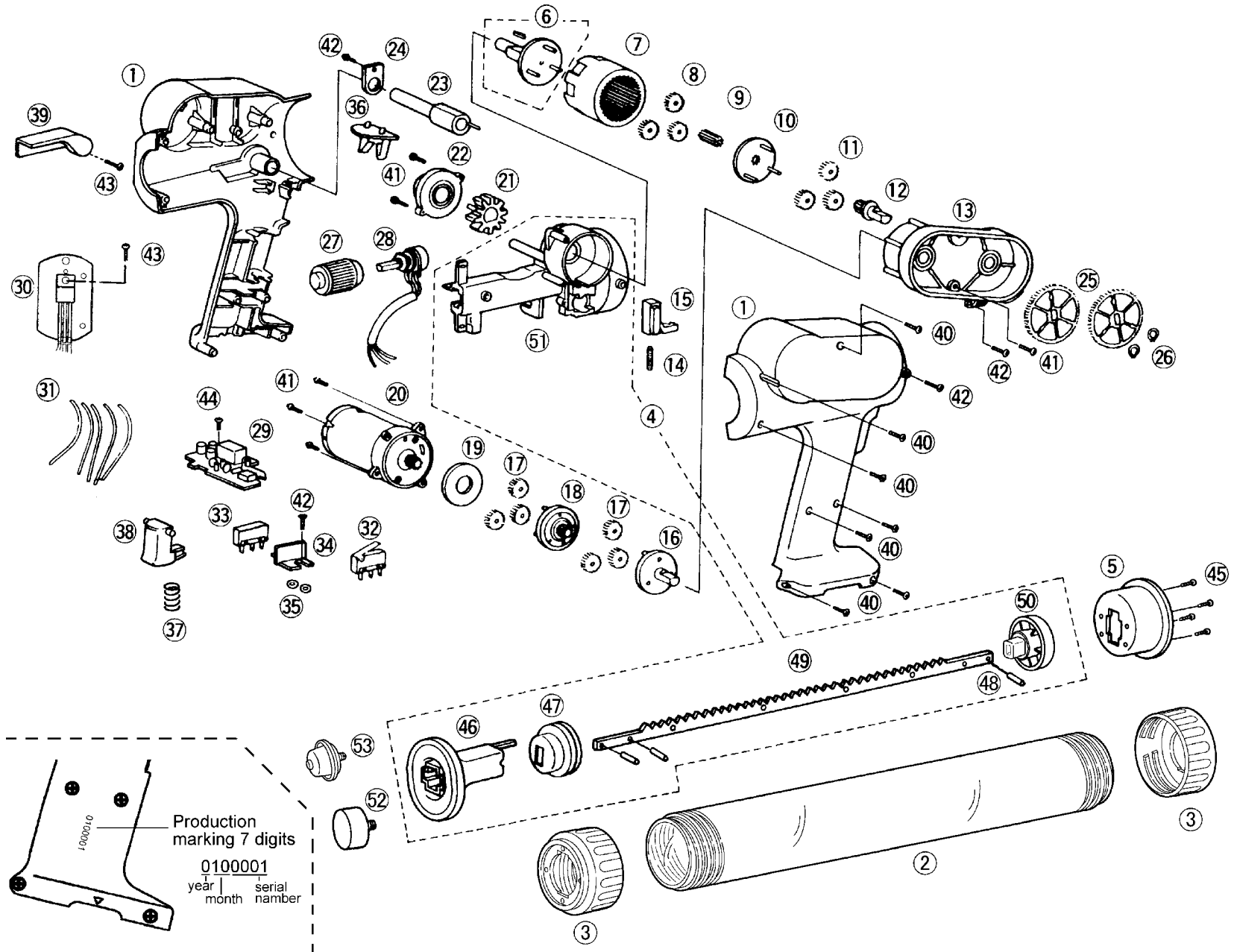


5 EXPLODED VIEW



L

6 REPLACEMENT PARTS LIST

NOTE:

*A = available as an optional accessory

*B = only available as set

*C = available individually

Ref. No.	Part No.	Part Name & Description	Remarks	Per Unit
1	WEY3654K3078	HOUSING AB SET		1
2	WEY3654X3718	TUBE HOLDER		1
3	WEY3654H3228	HOLDER CAP	*C	2
4	WEY3654K1068	RACK BLOCK		1
5	WEY3653S3538	CONNECTOR CAP		1
6	WEY3653L1128	DRIVING SHAFT		1
7	WEY3650B1427	INTERNAL GEAR		1
8	WEY3653L1358	PLANET GEAR	*B (3PCS/PACK)	3
9	WEY3653L1368	GEAR		1
10	WEY3653L1108	CARRIER		1
11	WEY580S1457	COUNTER-GEAR	*B (3PCS/PACK)	3
12	WEY580S1527	DRIVING SHAFT B		1
13	WEY3650B1207	DRIVING HOLDER		1
14	WEY3650B0917	COIL SPRING A		1
15	WEY3650B1967	CLUTCH KEY		1
16	WEY580S0537	DRIVING SHAFT C		1
17	WEY3650B1457	COUNTER-GEAR A	*B (3PCS/PACK)	6
18	WEY580S1397	TRANSFER-GEAR B		1
19	WEY580S0847	THRUST PLATE		1
20	WEY3653L1008	MOTOR		1
21	WEY3653L1448	PINION GEAR		1
22	WEY3650B0587	PINION COVER		1
23	WEY3653H3568	RELEASE BUTTON		1
24	WEY3653L0208	CROSS-ARM BRACE		1
25	WEY580C1277	SPUR GEAR	*C	2
26	WEY580S0417	LOCK RING	*C	2
27	WEY3653H3288	APPLICATION SPEED CONTROL		1
28	WEY3653L2548	VARIABLE RESISTANCE		1
29	WEY3653L2128	MODULE		1
30	WEY3653L2108	FET		1
31	WEY3653L2948	LEAD WIRE SET	*B	6
32	WEY3652L2008	MICRO SWITCH A		1
33	WEY3652L2018	MICRO SWITCH B		1
34	WEY3650B0577	SWITCH FRAME		1
35	WEY3653L6438	WASHER	*C Ø3.0	2
36	WEY3790L2157	TERMINAL PLATE		1
37	WEY30070927	LOCK SPRING		1
38	WEY3653Y3208	SWITCH HANDLE		1
39	WEY3653H3238	RACK RELEASE LEVER		1
40	WEY508B9617	TAPPING SCREW (K3-20)	*C	7
41	WEY563B9217	TAPPING SCREW (K3-16)	*C	6
42	WEY3652K9378	TAPPING SCREW (K3.5-8)	*C	5
43	WEY561S9037	TAPPING SCREW (K3-12)	*C	2
44	WEY3652K9478	TAPPING SCREW (K3-6)		1
45	WEY3653L6248	TAPPING SCREW (K4-12)	*C	4
46	WEY3653H3538	RACK KNOB		1
47	WEY3653K3188	PROTECTIVE COVER		1
48	WEY3653K0598	SPRING PIN	*B (3PCS/PACK)	3
49	WEY3653S1348	RACK		1
50	WEY3654K0488	PISTON JOINT		1
51	WEY3653K1208	DRIVING HOLDER		1
52	WEY3654K7208	CARTRIDGE ADAPTOR		1
53	WEY3654K0498	SAUSAGE PACK ADAPTOR		1
-	WEY3654K8008	INDIVIDUAL BOX		1
-	WEY3654K8108	OPERATING INSTRUCTIONS		1

** Battery Pack is available as an optional accessory. See the nearest sales dealer for details.

*** For replacement parts of charger, see the charger service manual.

Charger complete set is available as an optional accessory. See the nearest sales dealer for details.