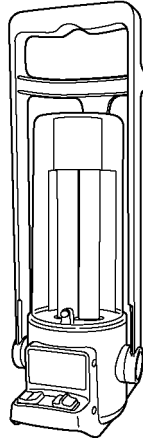


Service Manual

Lantern

Model No. **EY3741**

North America
Europe
Oceania



⚠ WARNING

This service information is designed for experienced repair technicians only and is not designed for use by the general public. It does not contain warnings or cautions to advise non-technical individuals of potential dangers in attempting to service a product. Products powered by electricity should be serviced or repaired only by experienced professional technicians. Any attempt to service or repair the product or products dealt with in this service information by anyone else could result in serious injury or death.

IMPORTANT SAFETY NOTICE

There are special components used in this equipment which are important for safety. These parts are marked by **⚠** in the Schematic Diagrams, Circuit Board Diagrams, Exploded Views and Replacement Parts List. It is essential that these critical parts should be replaced with manufacturer's specified parts to prevent shock, fire or other hazards. Do not modify the original design without permission of manufacturer.

TABLE OF CONTENTS

	PAGE	PAGE
1 Warning-----	2	
2 Specifications -----	2	
3 Wiring Connection Diagram -----	2	
4 Schematic Diagram-----	3	
5 Exploded View and Replacement Parts List -----	4	

Panasonic

© Panasonic Electric Works Co., Ltd. 2010.
All rights reserved. Unauthorized copying and distribution is a violation of law.

1 Warning

Caution:

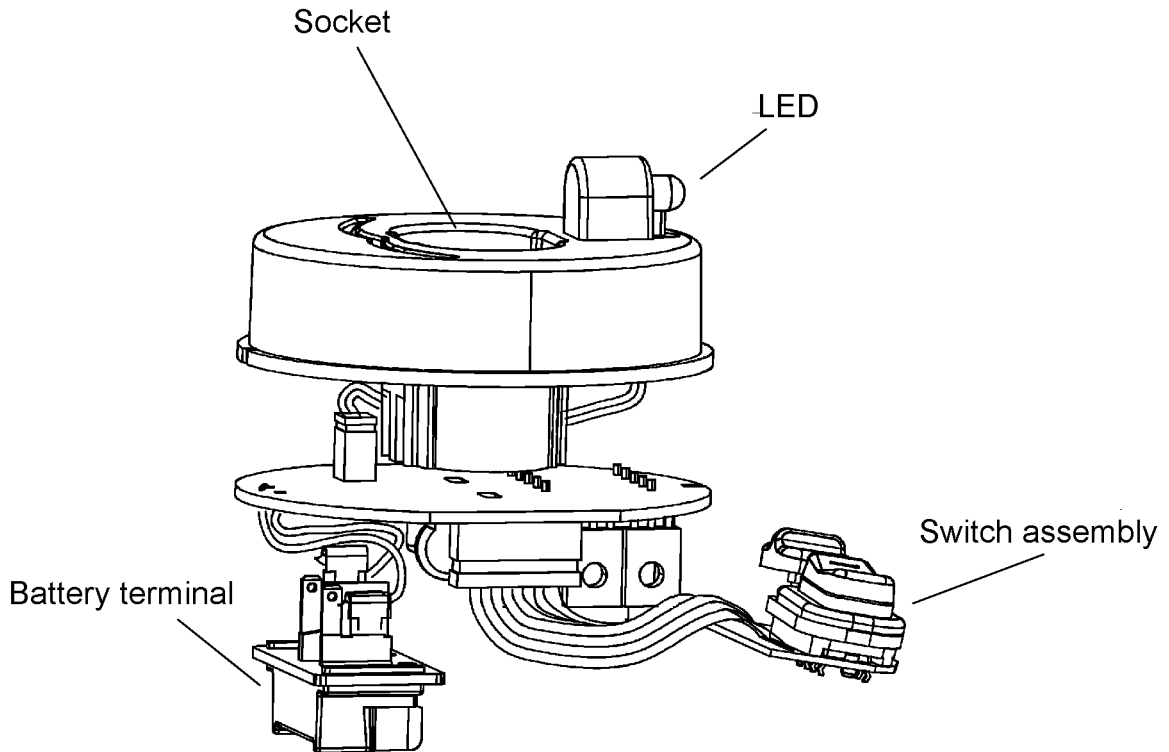
- Pb free solder has a higher melting point than standard solder; Typically the melting point is 50 - 70°F (30 - 40°C) higher. Please use a soldering iron with temperature control and adjust it to 750 ± 20°F (400 ± 10°C). In case of using high temperature soldering iron, please be careful not to heat too long.
- Pb free solder will tend to splash when heated too high (about 1100°F / 600°C).

2 Specifications

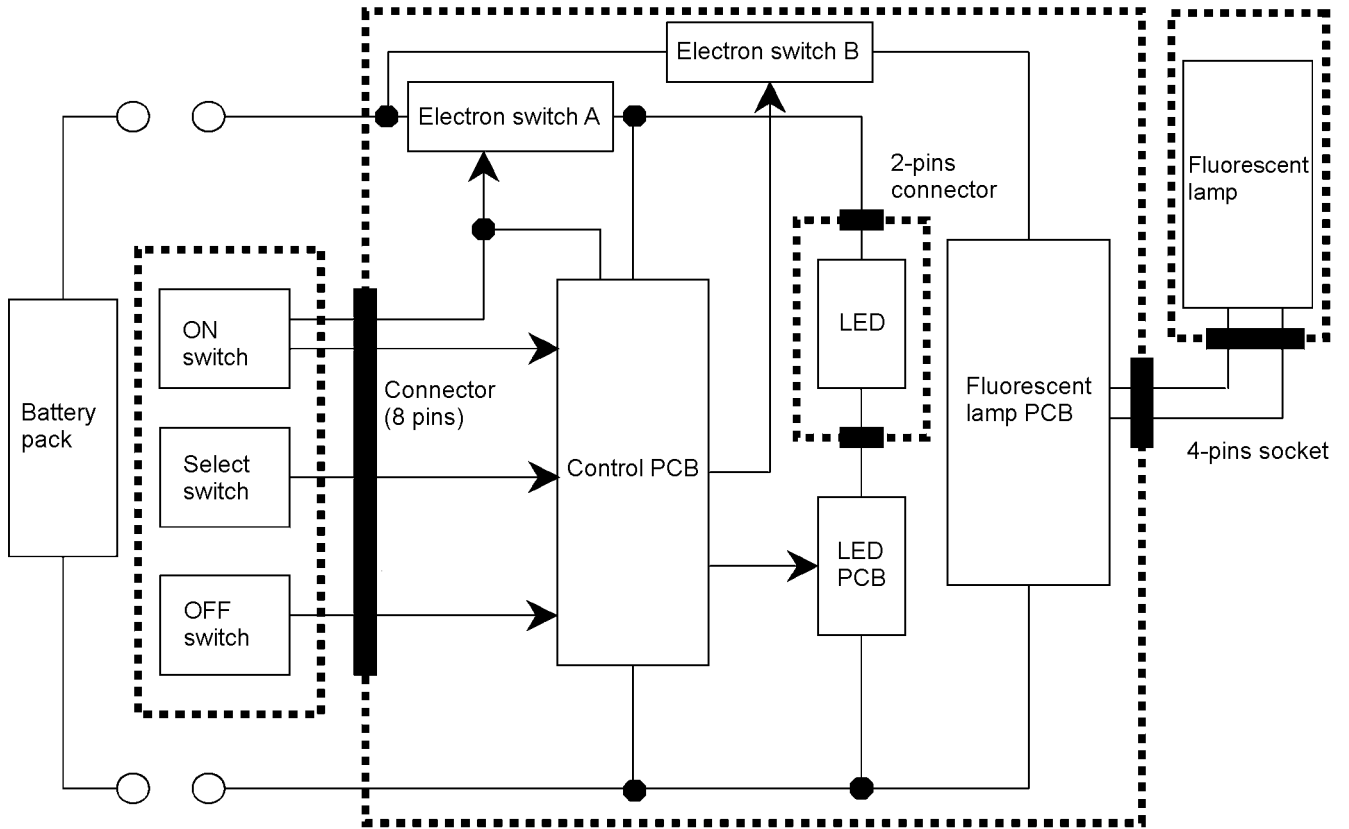
MAIN UNIT

Brightness	Fluorescent lamp	Approx. 330lux (with reflector); measured from front at approx. 40 cm from light source
	LED	Approx. 25lux (with reflector); measured from front at approx. 40 cm from light source
Size	Approx. 99(W) × 124(D) × 298(H) mm (Excluding battery pack; with handle in upright position)	
Weight (with battery pack)	Approx. 450 g (excluding battery pack)	

3 Wiring Connection Diagram

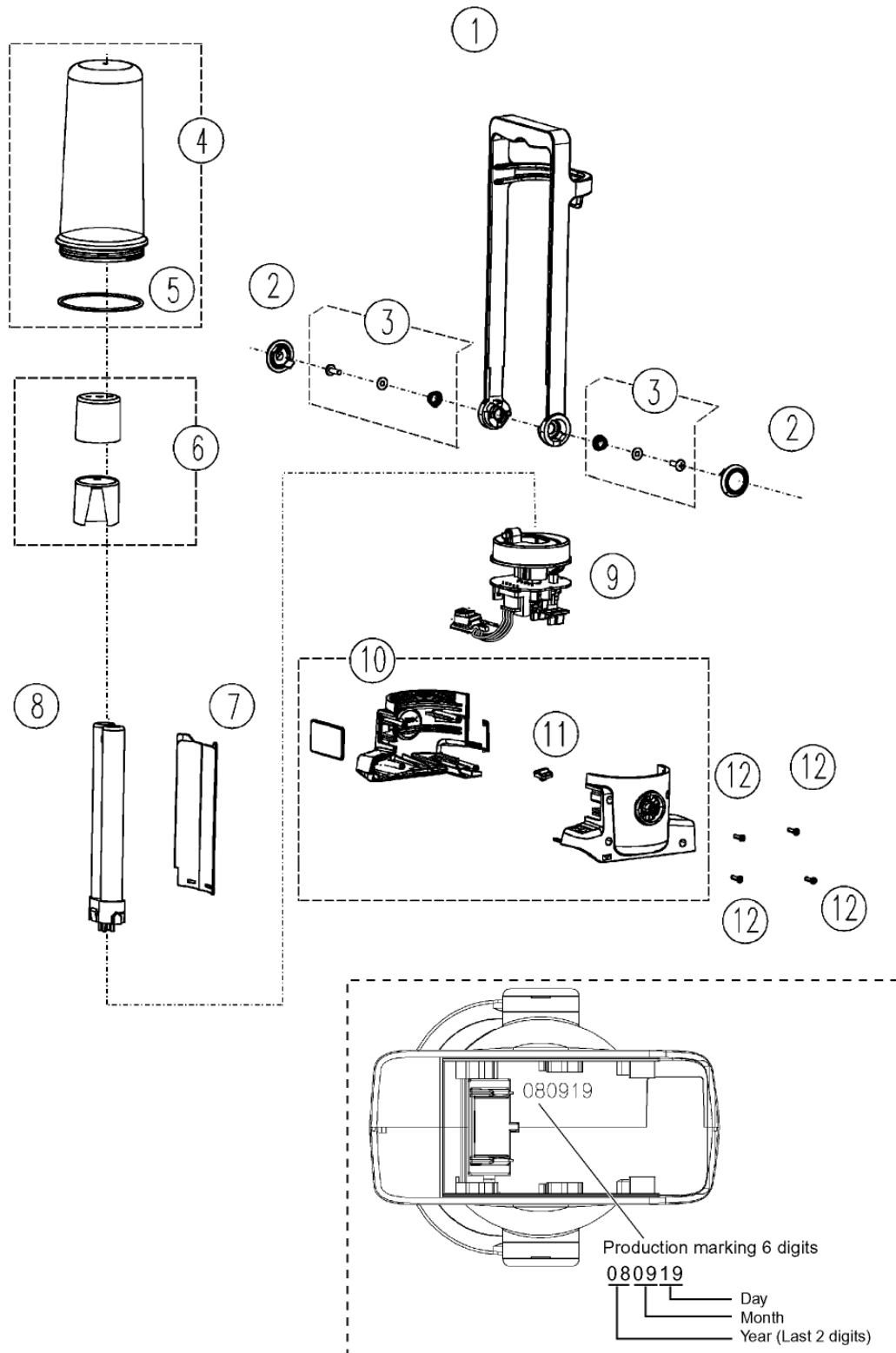


4 Schematic Diagram



5 Exploded View and Replacement Parts List

Model No. : EY3741 Exploded View



Model No. : EY3741 Parts List

Safety	Ref. No.	Part No.	Part Name & Description	Q'ty	Remarks
	1	WEY3741K0277	HANDLE	1	
	2	WEY3741K3447	HANDLE COVER	2	
	3	WEY3741L0177	SCREW AND WASHER	2ST	(K4*12), (1ST/PK)
	4	WEY3741X0547	LAMP COVER	1	
	5	WEY3741K0797	O-RING	1	
	6	WEY3741W0317	PROTECTOR	1	
	7	WEY3741L3377	REFLECTOR	1	
	8	WEY3741X7778	FLUORESCENT LAMP	1	
	9	WEY3741L2107	MODULE	1	
	10	WEY3741K3038	HOUSING SET	1	(for North America)
	10	WEY3741K3039	HOUSING SET	1	(for Europe)
	10	WEY3741K3030	HOUSING SET	1	(for Oceania)
	11	WEY3741H2027	LAMP/LED SELECTOR BUTTON	1	
	12	WEY3503K9037	TAPPING SCREW	4	(K3*12)
	-	WEY3741K8108	OPERATING INSTRUCTIONS	1	