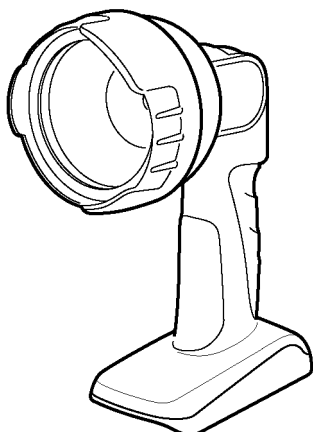


# Service Manual

## Flashlight

Model No. **EY3760**


USA  
EUROPE  
OCEANIA



### **WARNING**

This service information is designed for experienced repair technicians only and is not designed for use by the general public. It does not contain warnings or cautions to advise non-technical individuals of potential dangers in attempting to service a product. Products powered by electricity should be serviced or repaired only by experienced professional technicians. Any attempt to service or repair the product or products dealt with in this service information by anyone else could result in serious injury or death.

### **IMPORTANT SAFETY NOTICE**

There are special components used in this equipment which are important for safety. These parts are marked by  in the Schematic Diagrams, Circuit Board Diagrams, Exploded Views and Replacement Parts List. It is essential that these critical parts should be replaced with manufacturer's specified parts to prevent shock, fire or other hazards. Do not modify the original design without permission of manufacturer.

## TABLE OF CONTENTS

	PAGE	PAGE
1 Warning.....	2	
2 Specifications .....	2	
3 Schematic Diagram.....	2	
4 Exploded View and Replacement Parts List .....	3	

# Panasonic

© Panasonic Electric Works Co., Ltd. 2009.  
All rights reserved. Unauthorized copying and distribution is a violation of law.

# 1 Warning

## Caution:

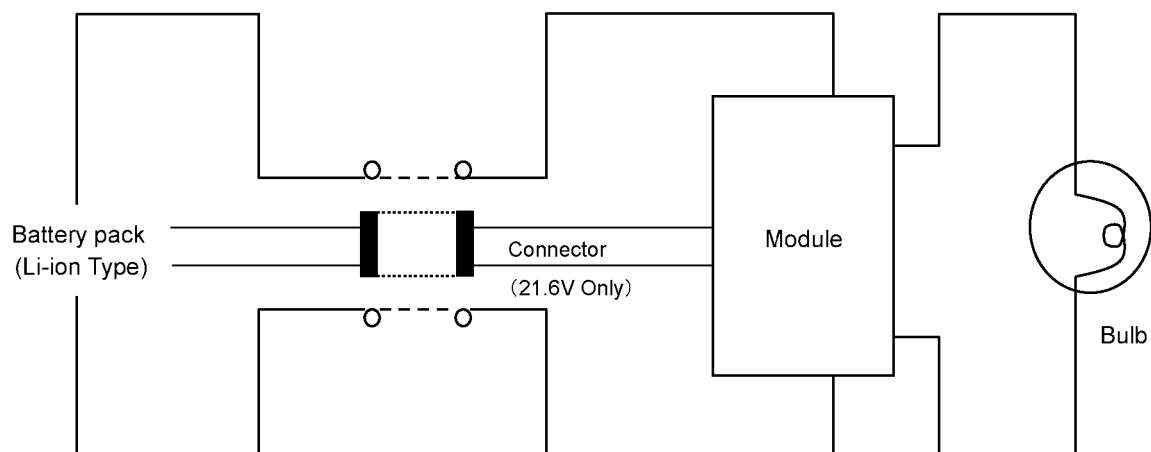
- Pb free solder has a higher melting point than standard solder; Typically the melting point is 50 - 70°F (30 - 40°C) higher. Please use a soldering iron with temperature control and adjust it to 750 ± 20°F (400 ± 10°C). In case of using high temperature soldering iron, please be careful not to heat too long.
- Pb free solder will tend to splash when heated too high (about 1100°F / 600°C).

# 2 Specifications

## MAIN UNIT

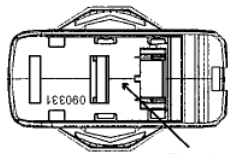
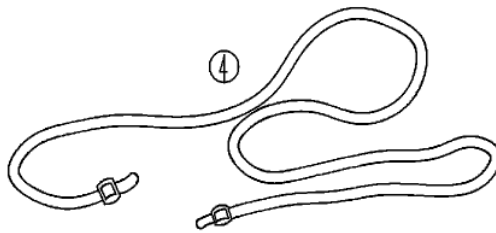
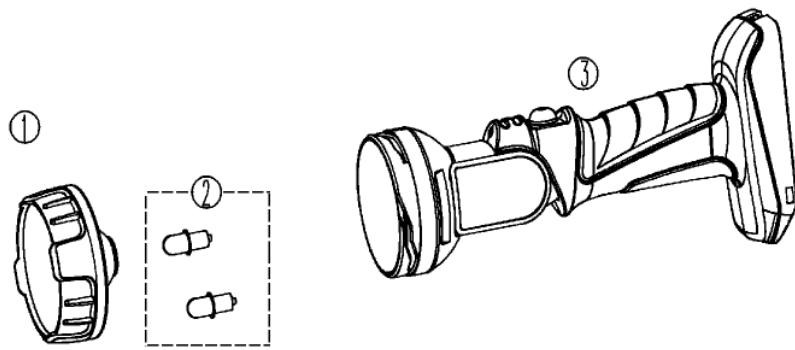
Bulb type	21.6V Xenon 0.49A
Size	279 × 124 × 90 mm (10-63/64" × 4-7/8" × 3-35/64")
Weight (with battery pack)	318 g (0.69 lbs)

# 3 Schematic Diagram



# 4 Exploded View and Replacement Parts List

Model No. : EY3760 Exploded View



Production marking 6 digits

09 03 31  
| | |  
| | Day  
| | Month  
| Year (Last 2 digits)

---

**Model No. : EY3760 Parts List**

---

Safety	Ref. No.	Part No.	Part Name & Description	Q'ty	Remarks
	1	WEY3760H0548	HEAD LAMP COVER	1	[SH]
	2	WEY3760X7778	BULB	2	(21.6V 0.49A)
	3	WEY3760K3038	BODY BLOCK	1	[SH]
	4	WEY3760K0278	SHOULDER STRAP	1	[SH]
	-	WEY3760K8008	INDIVIDUAL BOX	1	[SH]
	-	WEY3760K8108	OPERATING INSTRUCTIONS	1	[SH]