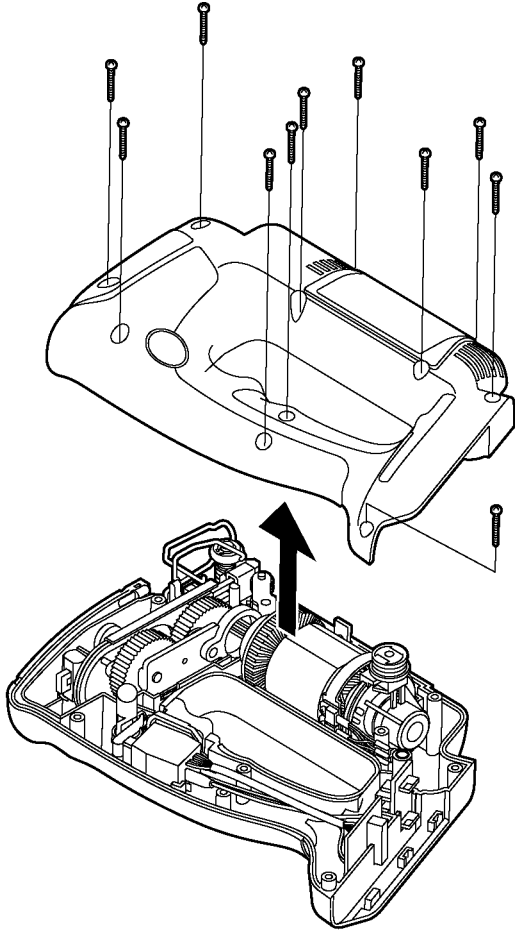


Ref. No. 1C

Procedure 1A → 1B → 1C

**Removal of the housing.**

1. Loosen 11 housing screws.
2. Hold the housing A and take the housing B up vertically.

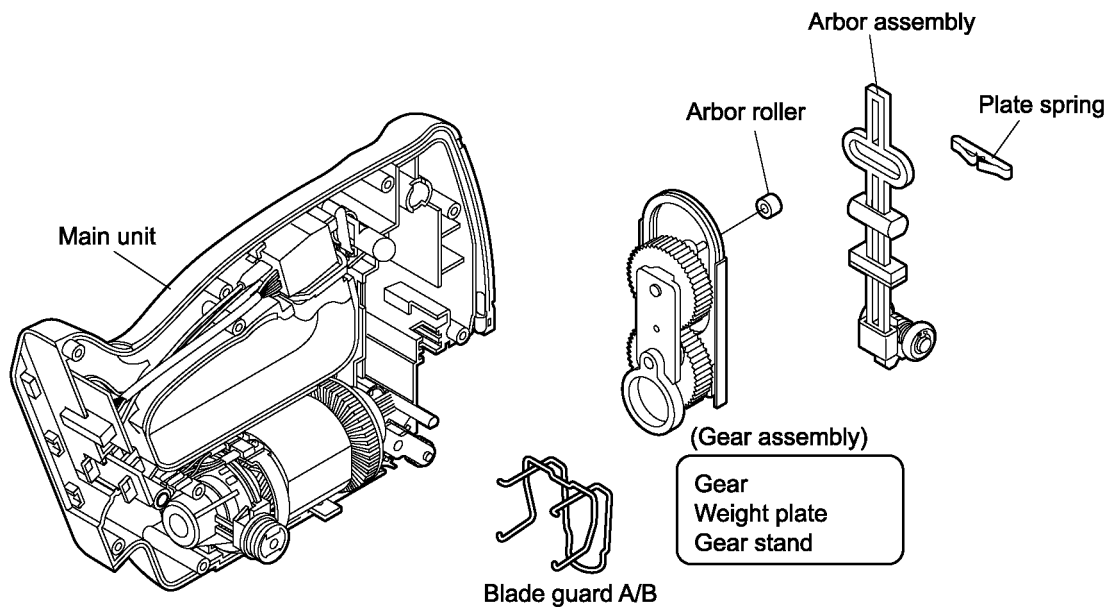


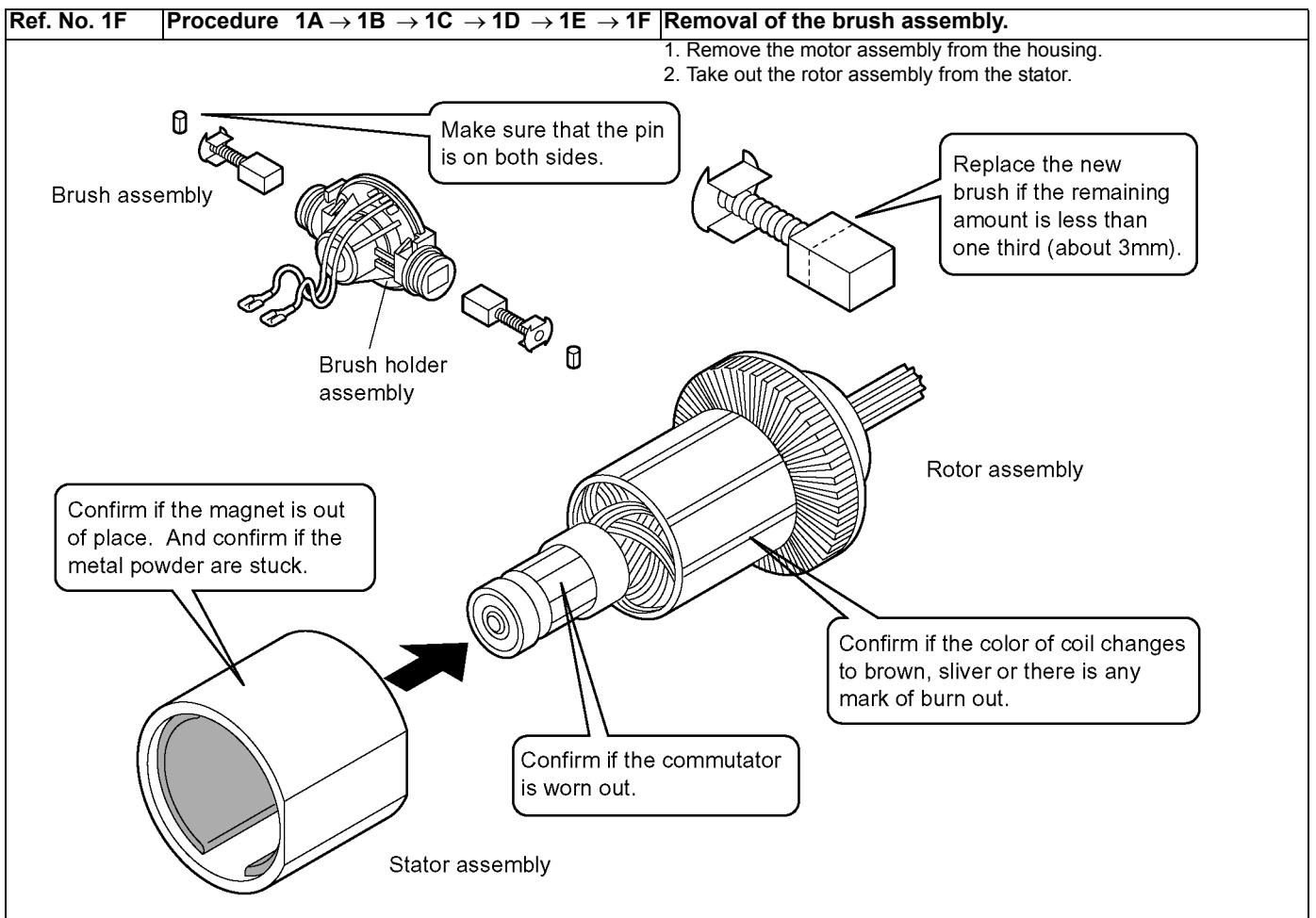
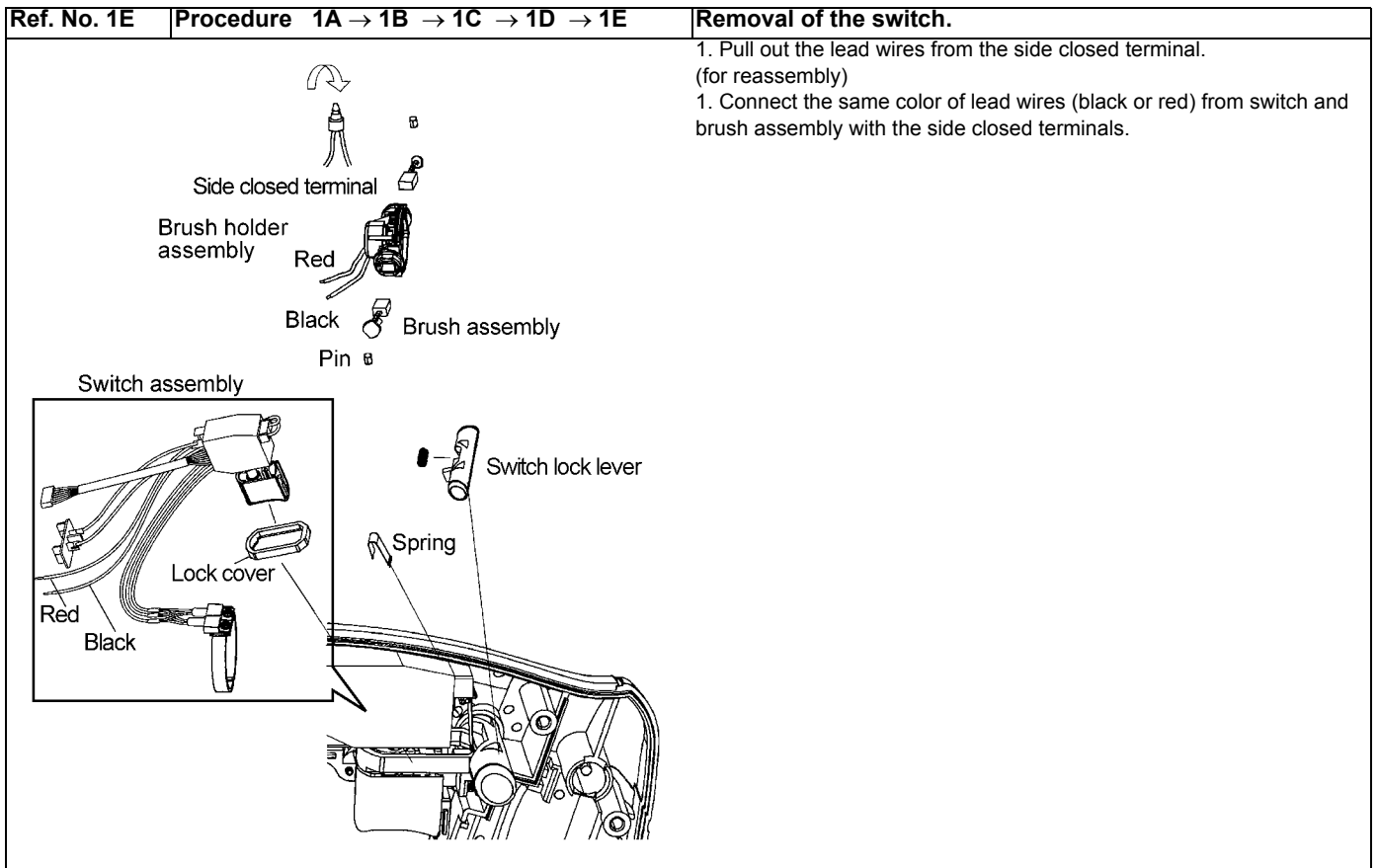
Ref. No. 1D

Procedure 1A → 1B → 1C → 1D

**Removal of driving block.**

1. Take out the arbor assembly together with the plate spring.
2. Remove the arbor roller.
3. Remove the gear assembly including the gear, weight plate and gear stand.



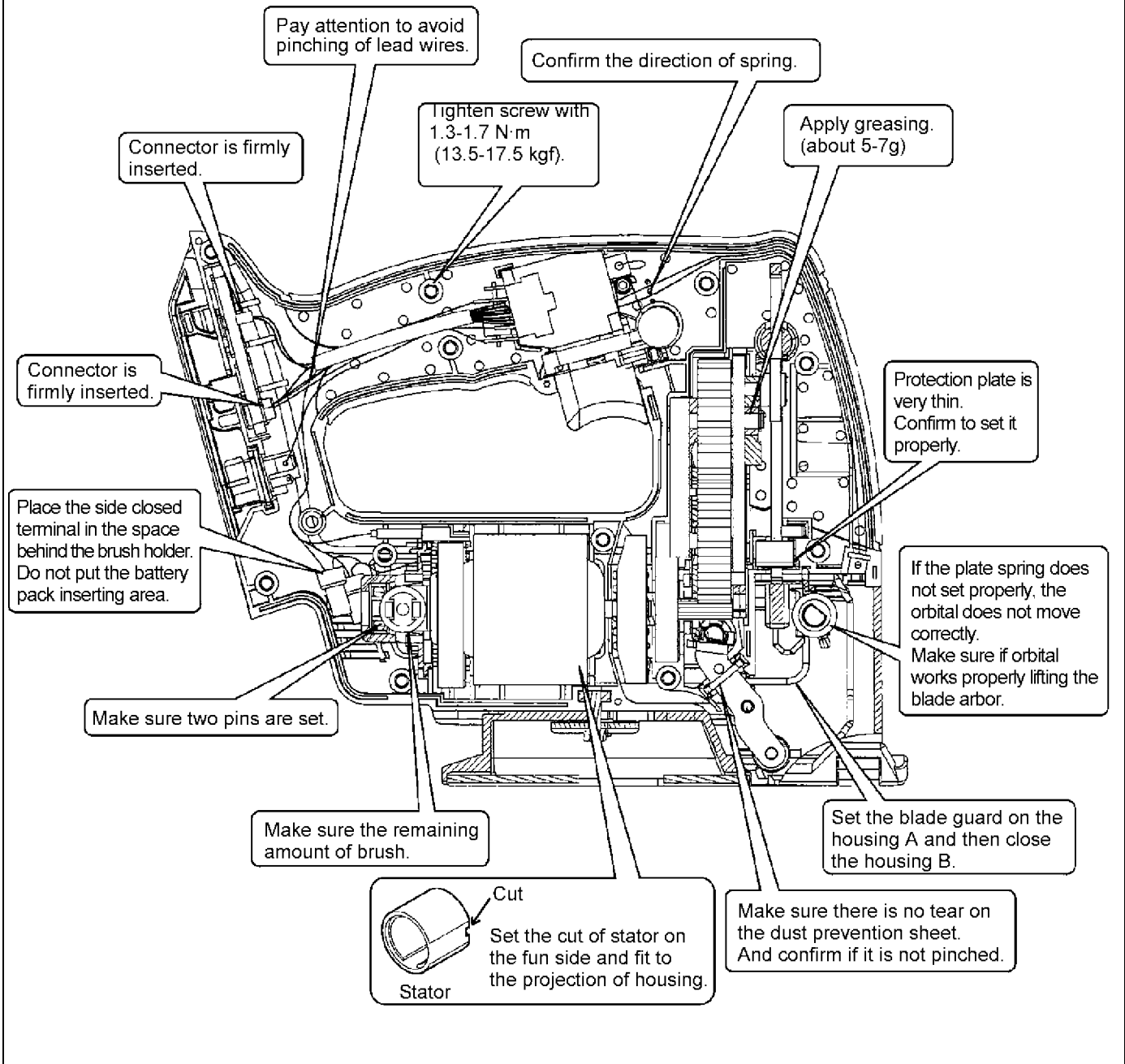


Ref. No. 1G

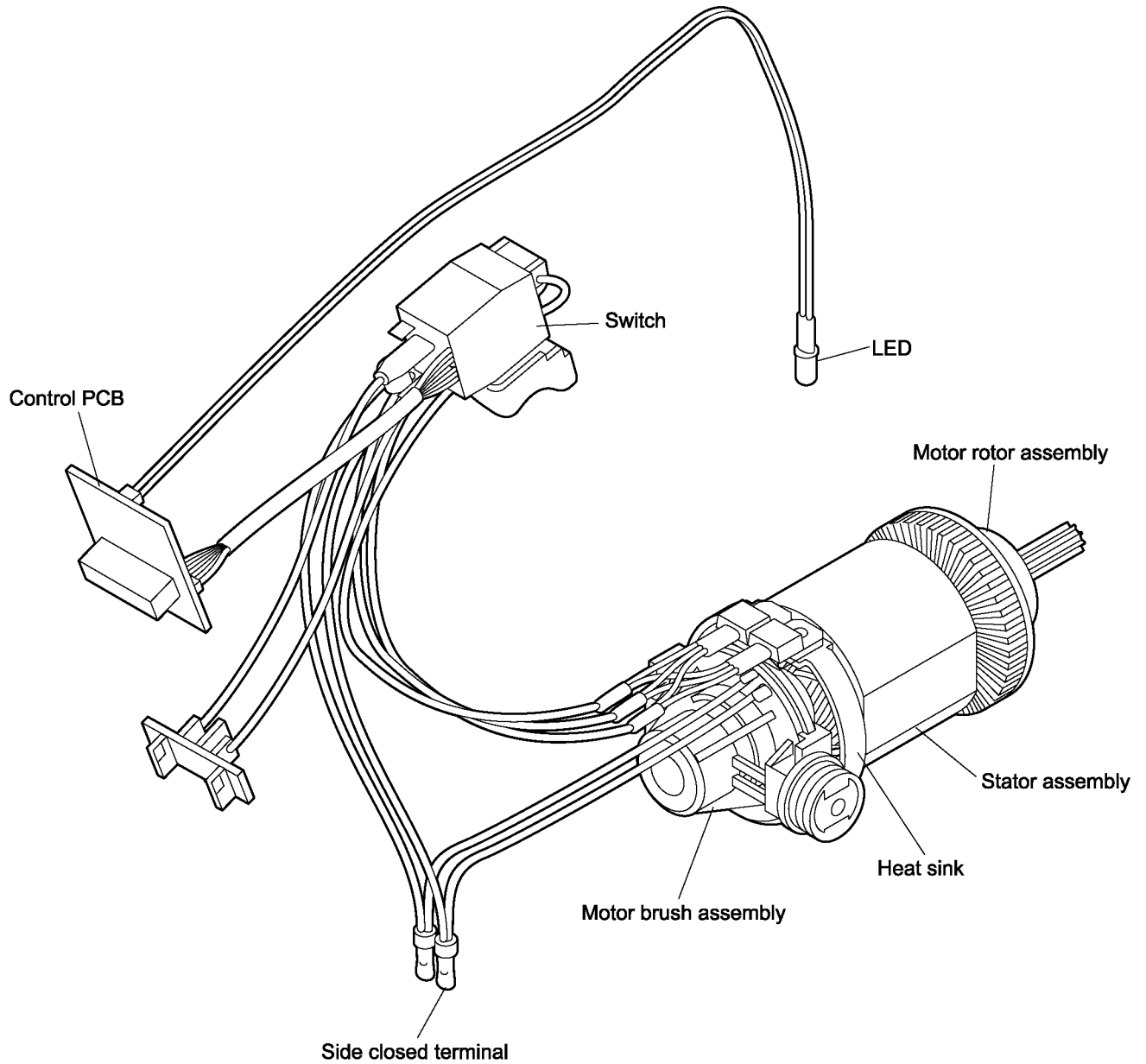
Procedure 1A → 1B → 1C → 1D → 1E → 1F → 1G

Assembly of main unit.

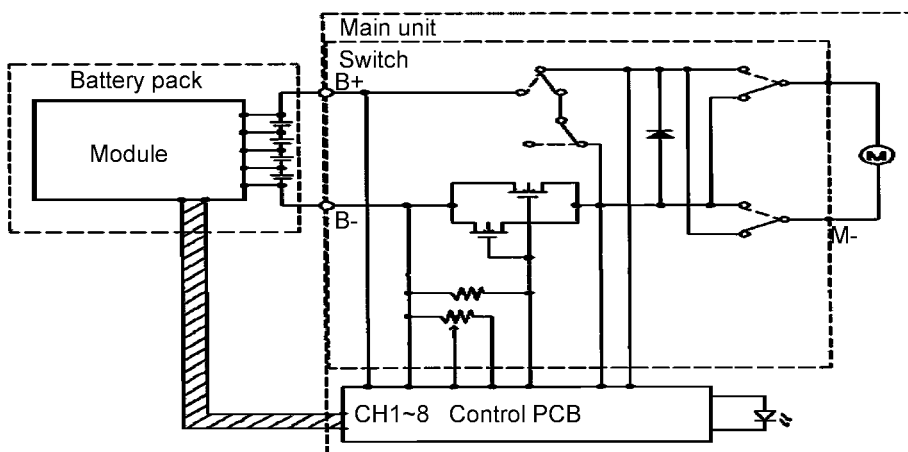
1. Press fit the lead wire firmly.
2. Close the housing A and B.



## 5 Wiring Connection Diagram

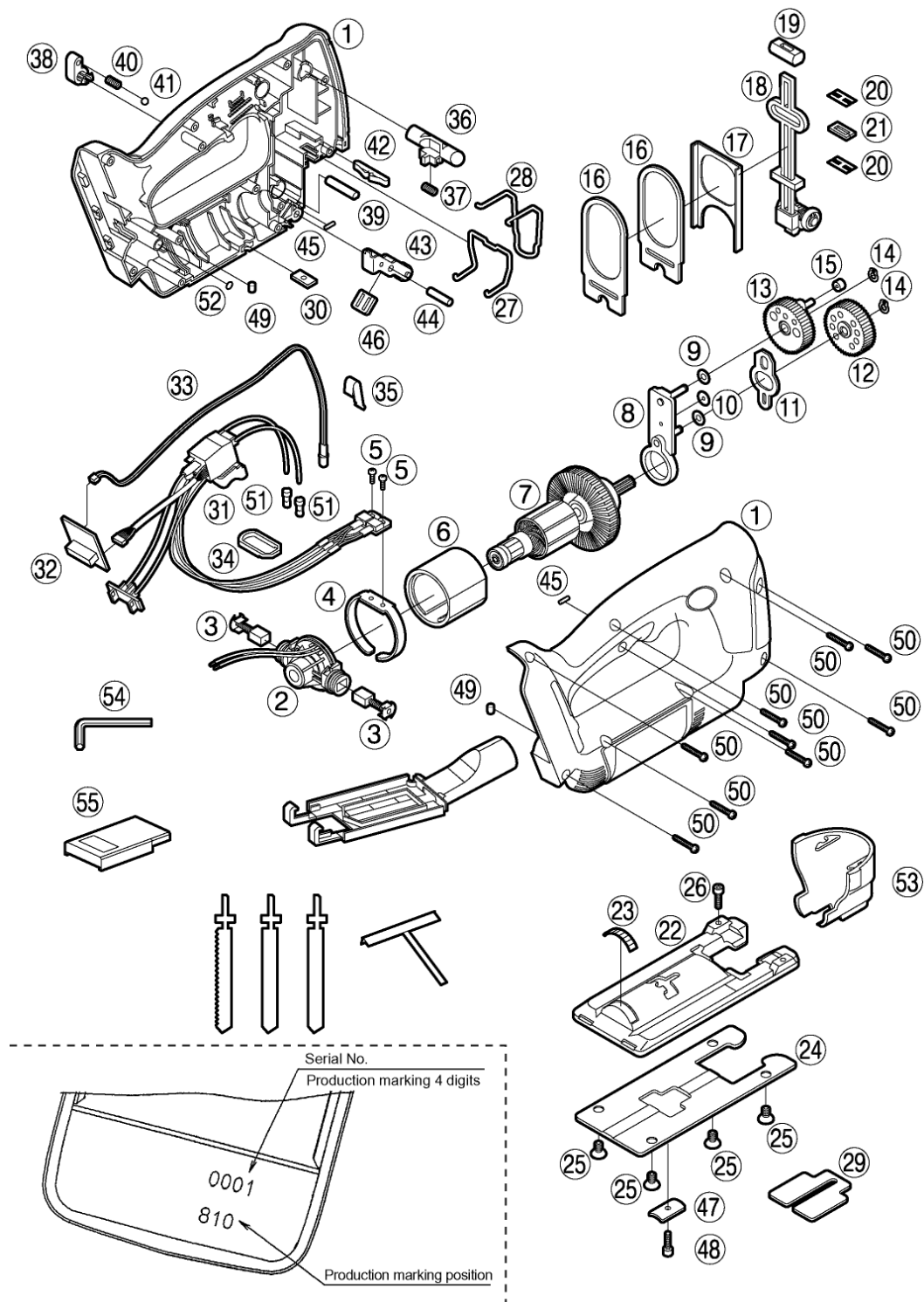


## 6 Schematic Diagram



# 7 Exploded View and Replacement Parts List

Model No. : EY4541 Exploded View



\*\* Battery Pack is available as an optional accessory. See the nearest sales dealer for details.

\*\*\* For replacement parts of charger, see the charger service manual.

Charger complete set is available as an optional accessory. See the nearest sales dealer for details.

## Model No. : EY4541 Parts List

Safety	Ref. No.	Part No.	Part Name & Description	Q'ty	Remarks
	1	WEY4541K3078	HOUSING AB SET	1	
	2	WEYT510L1037	BRUSH HOLDER	1	
	3	WEYT510L2317	BRUSH ASSEMBLY	2	(2PCS/PK)
	4	WEYT510L2397	HEAT SINK	1	
	5	WEYT510L6037	TIGHT SCREW	2	(M3*6)
	6	WEYT510L1587	STATOR ASSEMBLY	1	
	7	WEY4541L1007	ROTOR ASSEMBLY	1	
	8	WEYT510L4347	GEAR STAND	1	
	9	WEYT510L6507	WASHER	2	(5.5×12×0.2), (2PCS/PK)
	10	WEYT510L6527	WASHER	1	
	11	WEYT510L0067	FORK	1	
	12	WEYT510L1457	MID GEAR	1	
	13	WEYT510L1417	GEAR ASSEMBLY	1	
	14	WEYT510L0437	C-TYPE RING	2	(2PCS/PK)
	15	WEYT510L0377	ARBOR ROLLER	1	
	16	WEYT510L0697	WEIGHT PLATE	2	(2PCS/PK)
	17	WEYT510L0497	GEAR RETAINING PLATE	1	
	18	WEYT510L0087	ARBOR ASSEMBLY	1	
	19	WEYT510L0177	ARBOR STOPPER	1	
	20	WEYT510L3147	PROTECTION PLATE	2	(2PCS/PK)
	21	WEYT510L3137	DUST PREVENT RUBBER	1	
	22	WEY4541L1897	BASE	1	
	23	WEY4541L3327	BEVEL INDEX	1	
	24	WEY4541L1907	BASE PLATE	1	
	25	WEY4541L6117	TIGHT SCREW	4	(M4×8)
	26	WEYT510L6307	HEX BOLT	1	(M4X6)
	27	WEYT510L3107	BLADE GUARD B	1	
	28	WEYT510L3117	BLADE GUARD A	1	
	29	WEYT510L0097	ANTI-SPLINTERING PLATE	1	
	30	WEYT510L1627	MOUNTING PLATE	1	
	31	WEY4541K2007	SWITCH ASSEMBLY	1	
	32	WEY4541L2127	CONTROL PCB	1	
	33	WEY4541L2337	LED ASSEMBLY	1	
	34	WEYT510L2167	LOCK COVER	1	
	35	WEYT510L2177	LOCK SPRING	1	
	36	WEY4541H3247	SWITCH LOCK LEVER	1	
	37	WEYT510L0167	SPRING	1	
	38	WEY4541H1557	ORBITAL SELECTOR LEVER	1	
	39	WEYT510L0337	ORBITAL SHAFT	1	
	40	WEYT510L0187	SPRING	1	
	41	WEYT510L6967	STEEL BALL	1	
	42	WEYT510L0927	PLATE SPRING	1	
	43	WEYT510L0387	ROLLER ASSEMBLY	1	

**Model No. : EY4541 Parts List**

Safety	Ref. No.	Part No.	Part Name & Description	Q'ty	Remarks
	44	WEYT510L0907	NEEDLE PIN	1	(F2*23.8)
	45	WEY4541L0917	NEEDLE PIN	2	(F2*6.8)
	46	WEYT510L3157	DUST PREVENT PLATE	1	
	47	WEYT510L1637	FIXING BRACKET	1	
	48	WEYT510L6337	BASE FIXING SCREW	1	M4*12
	49	WEYT510L0607	PIN	2	(2PCS/PK)
	50	WEYT510L9447	TIGHT SCREW	11	(M4*18), (5PCS/PK)
	51	WEYT510L2157	SIDE CLOSED TERMINAL	2	(2PCS/PK)
	52	WEY3571L0967	O-RING	1	
	53	WEY4541X3107	DUST COVER	1	
	54	WEYT510L7867	HEX WRENCH	1	
	55	WEYT510L8917	GREASE	1	
	-	WEY9L40R2788	BATTERY PACK COVER	1	
	-	WEY9638K7018	TOOL CASE	1	<SH>
	-	WEY4541K8008	WRAPPER	1	<SH>
	-	WEY4541K8108	OPERATING INSTRUCTIONS	1	<SH>