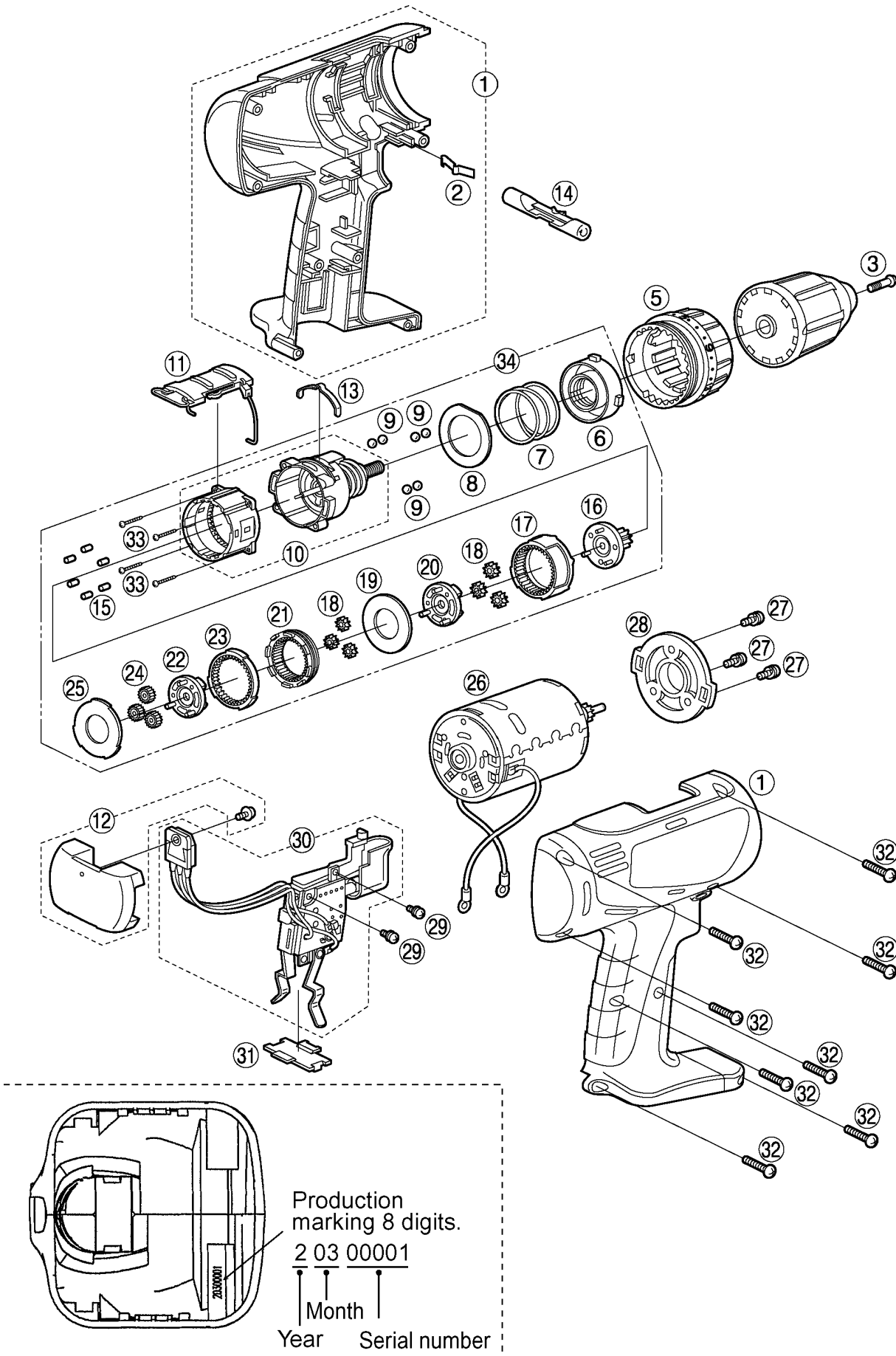


5 EXPLODED VIEW



6 REPLACEMENT PARTS LIST

6.1. EY6405 REPLACEMENT PARTS LIST

NOTE:

*B=only available as set

*C=available individually

| Ref.No. | Part No. | Part Name & Description | Remarks | Per Unit |
|---------|--------------|-------------------------|---------------|----------|
| 1 | WEY6405K3078 | HOUSING AB SET | ▲ | 1 |
| 2 | EY6481L0177 | CLICK SPRING | | 1 |
| 3 | EYT103L6807 | CHUCK FASTENING SCREW | ▲ | 1 |
| 5 | EY6406Y3228 | CLUTCH HANDLE | ▲ | 1 |
| 6 | EY6406L0638 | ADJUSTING SCREW | ▲ | 1 |
| 7 | EY6406L0168 | CLUTCH SPRING | ▲ | 1 |
| 8 | EY6406L0578 | CLUTCH PLATE | ▲ | 1 |
| 9 | EY560B6967 | STEEL BALL | *B (12pcs/PK) | 12 |
| 10 | EY6406L1078 | DRIVING BLOCK | ▲ | 1 |
| 11 | EY6406Y3238 | H/L CHANGE HANDLE | ▲ | 1 |
| 12 | EY6406L2568 | HEAT SINK | ▲ | 1 |
| 13 | EY6406L0178 | CLICK SPRING A | ▲ | 1 |
| 14 | WEY6405Y3248 | F/R SELECTOR HANDLE | ▲ | 1 |
| 15 | EY6283L0377 | ROLLER PIN | *B (6pcs/PK) | 6 |
| 16 | EY6406L1118 | CARRIER | ▲ | 1 |
| 17 | EY6406L1488 | RING GEAR | ▲ | 1 |
| 18 | EY6406L1348 | PLANET GEAR | *B (3pcs/PK) | 6 |
| 19 | EY6406L0858 | THRUST PLATE | ▲ | 1 |
| 20 | EY6406L1128 | CARRIER A | ▲ | 1 |
| 21 | EY6406L1468 | RING GEAR A | ▲ | 1 |
| 22 | EY6406L1108 | CARRIER B | ▲ | 1 |
| 23 | EY6406L1478 | RING GEAR B | ▲ | 1 |
| 24 | EY6406L1358 | PLANET GEAR B | *B (3pcs/PK) | 3 |
| 25 | EY6406L0888 | THRUST PLATE | ▲ | 1 |
| 26 | WEY6405L1008 | DC MOTOR | ▲ | 1 |
| 27 | EY6230L6027 | SCREW | *C K3*6 | 3 |
| 28 | EY6406L0028 | MOTOR MOUNTING PLATE | ▲ | 1 |
| 29 | EY6207Y6027 | SCREW | *C K3*5 | 2 |
| 30 | WEY6405Y2008 | SWITCH | ▲ | 1 |
| 31 | EY6230L0207 | DUST PREVENTIVE PLATE | ▲ | 1 |
| 32 | EY6230K9218 | TAPPING SCREW | *C K3*20 | 8 |
| 33 | EY6406K9038 | TORX TAPPING SCREW | *C K3*12 | 4 |
| 34 | EY6406L1458 | GEAR BOX BLOCK | ▲ | 1 |
| - | WEY6405K8108 | OPERATING INSTRUCTIONS | ▲ | 1 |

**Battery Pack, Keyless Chuck, Quick Change Chuck and Tool Case are available as an optional accessory.

See the nearest sales dealer for details.

***For replacement parts of charger, see the charger service manual.

Charger complete set is available as an optional accessory. See the nearest sales dealer for details.