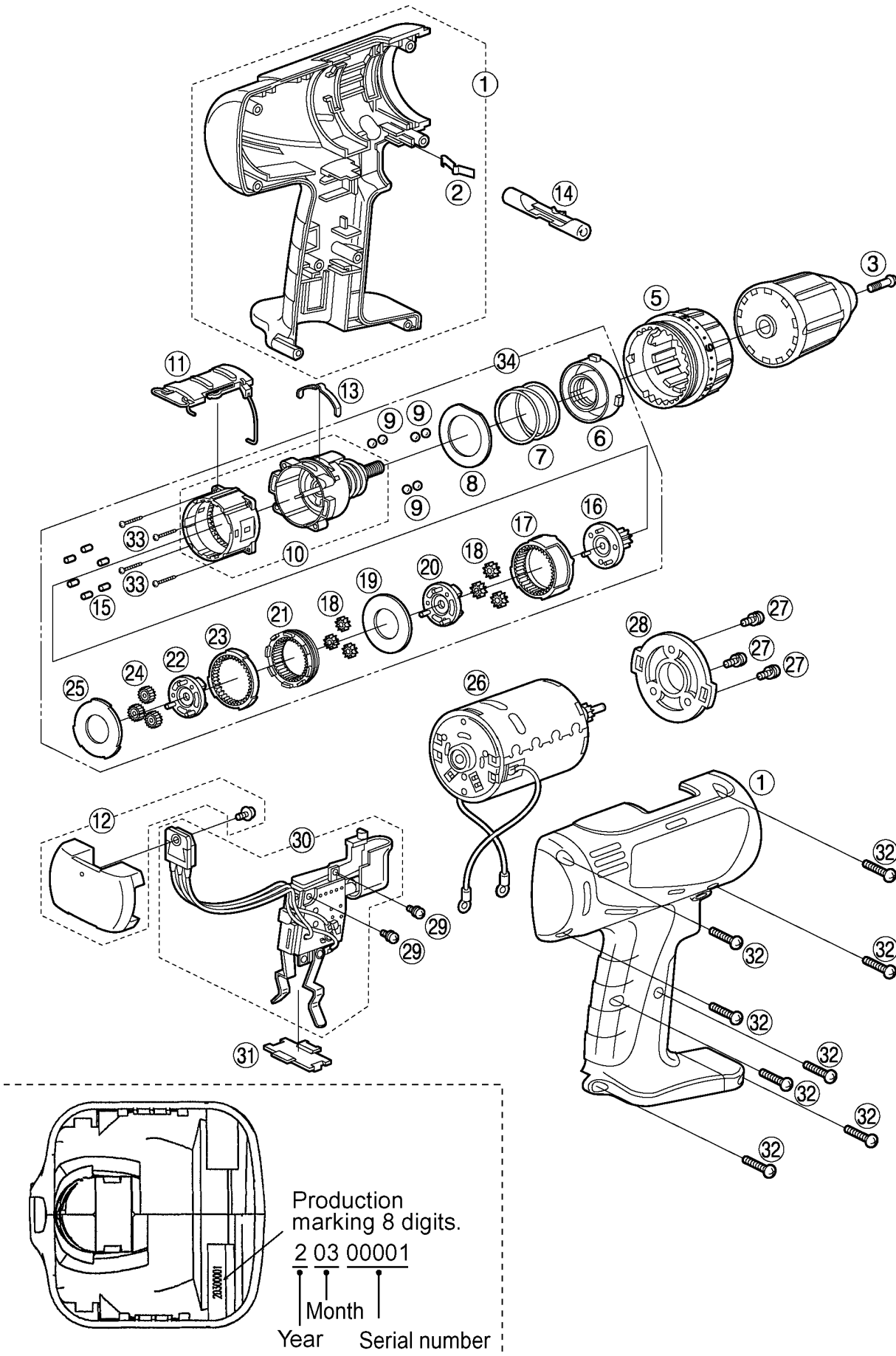


5 EXPLODED VIEW



6.3. EY6405 REPLACEMENT PARTS LIST

NOTE:

*B=only available as set

*C=available individually

Ref.No.	Part No.	Part Name & Description	Remarks	Per Unit
1	WEY6432K3078	HOUSING AB SET		1
2	EY6481L0177	CLICK SPRING		1
3	EYT103L6807	CHUCK FASTENING SCREW		1
5	EY6406Y3228	CLUTCH HANDLE		1
6	EY6406L0638	ADJUSTING SCREW		1
7	EY6431L0168	CLUTCH SPRING		1
8	EY6406L0578	CLUTCH PLATE		1
9	EY560B6967	STEEL BALL	*B (12pcs/PK)	12
10	EY6431L1078	DRIVING BLOCK		1
11	EY6406Y3238	H/L CHANGE HANDLE		1
12	EY6406L2568	HEAT SINK		1
13	EY6406L0178	CLICK SPRING A		1
14	WEY6405Y3248	F/R SELECTOR HANDLE		1
15	EY6283L0377	ROLLER PIN	*B (6pcs/PK)	6
16	EY6406L1118	CARRIER		1
17	EY6406L1488	RING GEAR		1
18	EY6406L1348	PLANET GEAR	*B (3pcs/PK)	6
19	EY6406L0858	THRUST PLATE		1
20	EY6406L1128	CARRIER A		1
21	EY6406L1468	RING GEAR A		1
22	EY6406L1108	CARRIER B		1
23	EY6406L1478	RING GEAR B		1
24	EY6406L1358	PLANET GEAR B	*B (3pcs/PK)	3
25	EY6406L0888	THRUST PLATE		1
26	WEY6432L1008	DC MOTOR		1
27	EY6230L6027	SCREW	*C K3*6	3
28	EY6406L0028	MOTOR MOUNTING PLATE		1
29	EY6207Y6027	SCREW	*C K3*5	2
30	WEY6432Y2008	SWITCH		1
31	EY6230L0207	DUST PREVENTIVE PLATE		1
32	EY6230K9218	TAPPING SCREW	*C K3*20	8
33	EY6406K9038	TORX TAPPING SCREW	*C K3*12	4
34	EY6431L1458	GEAR BOX BLOCK		1
-	WEY6405K8108	OPERATING INSTRUCTIONS		1

**Battery Pack, Keyless Chuck, Quick Change Chuck and Tool Case are available as an optional accessory. See the nearest sales dealer for details.

***For replacement parts of charger, see the charger service manual.

Charger complete set is available as an optional accessory. See the nearest sales dealer for details.