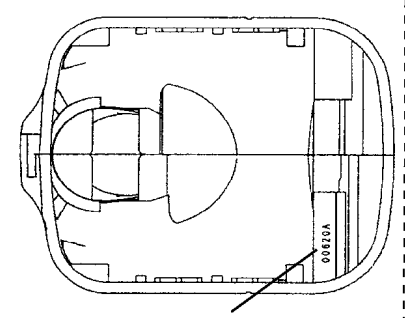
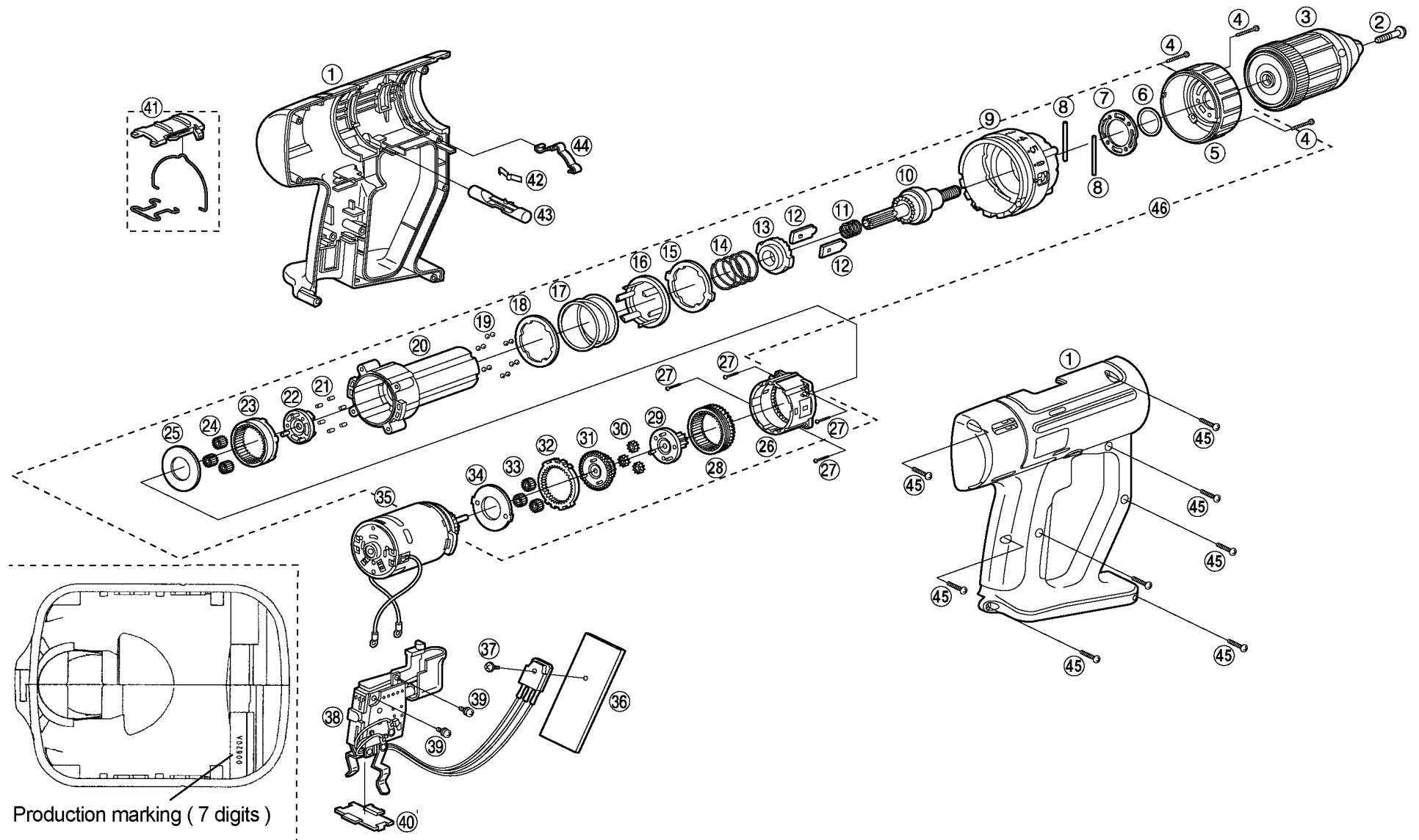


# 7 EXPLODED VIEW

11



## 8 REPLACEMENT PARTS LIST

### NOTE:

\*A --- available as an optional accessory

\*B --- only available as set

\*C --- available individually

Ref. No.	Part No.	Part Name & Description	Remarks	Per Unit
1	WEY6931K3078	HOUSING AB SET		▲ 1
2	EYT103L6807	CHUCK FASTENING SCREW		▲ 1
3	EY6930K7917	KEYLESS DRILL CHUCK		1
4	EY6930K9157	SCREW	*C K3-16	3
5	EY6901H3227	CLUTCH HANDLE A		1
6	EY509B0977	O-RING		1
7	EY6901L0567	CHANGE RING		1
8	EY6901L0357	PIN	*B Ø2-31.8	2
9	WEY6902H3257	CLUTCH HANDLE B		1
10	WEY6902L1137	DRIVING SHAFT		1
11	EY6900B0177	SPRING		1
12	EY6901L0907	CHANGE PLATE	*B	2
13	EY6901L1387	CAM A		1
14	EY6901L0197	VIBRATION SPRING		1
15	EY6901L0457	CLICK PLATE		1
16	EY6901L0637	ADJUST RING		1
17	EY6901L0167	CLUTCH SPRING		1
18	EY6901L0577	CLUTCH PLATE		1
19	EY560B6967	STEEL BALL	*B Ø5	12
20	EY6901L1797	CLUTCH CASE		1
21	EY6705L0377	ROLLER PIN	*B Ø3.175*7.2	6
22	EY6901L1107	CARRIER		1
23	EY6901L1477	RING GEAR		1
24	EY6900B1347	PLANET GEAR	*B	3
25	EY6200B0857	THRUST PLATE		1
26	WEY6902L1767	GEAR CASE		1
27	EY6930L9577	SCREW	*C K3-12	4
28	WEY6902L1467	RING GEAR		1
29	WEY6902L1357	CARRIER		1
30	EY6200B1357	PLANET GEAR	*B	3
31	EY6900B1127	CARRIER		1
32	EY6930B1457	RING GEAR		1
33	EY560B1367	PLANET GEAR	*B	3
34	EY6901L0887	THRUST PLATE		1
35	WEY6931L1007	MOTOR		▲ 1
36	WEY6902L2567	RADIATING PLATE		1
37	WEY6902L6017	SEMS SCREW	2.6-7	1
38	WEY6931Y2007	SWITCH BLOCK		▲ 1
39	EY6230L6037	SEMS SCREW	*C M3-5	2
40	EY6481L0207	DUST PREVENTIVE PLATE		▲ 1
41	EY6406Y3238	HIGH/LOW HANDLE		▲ 1
42	EY6481L0177	CLICK SPRING		1
43	WEY6402Y3247	F/R SELECTOR HANDLE		▲ 1
44	EY6930L0177	CLICK SPRING A		1
45	WEY6930K9218	SCREW	*C K3-20	▲ 9
46	WEY6902L1458	GEAR BOX BLOCK		1
-	WEY6931K8008	INDIVIDUAL BOX		▲ 1
-	WEY6931K8108	OPERATING INSTRUCTIONS		▲ 1

\*\* Battery Pack and Tool Case are available as an optional accessory. See the nearest sales dealer for details.

\*\*\* For replacement parts of charger, see the charger service manual.

Charger complete set is available as an optional accessory. See the nearest sales dealer for details.