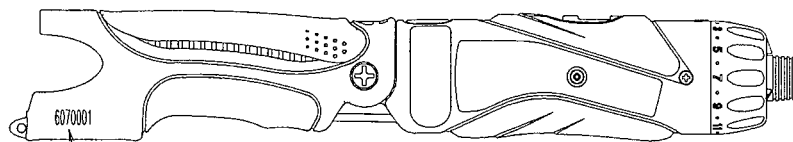
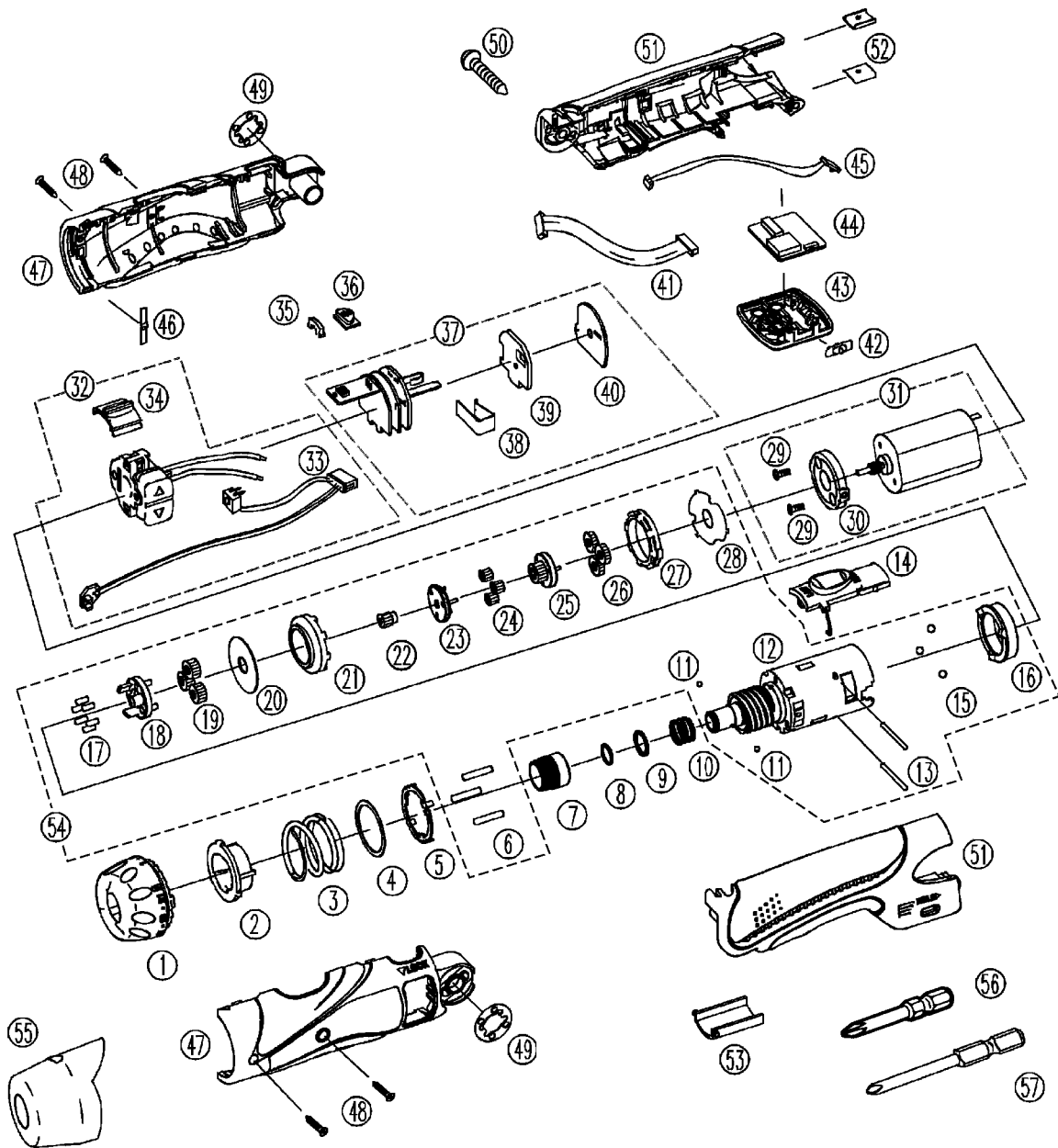


7 Exploded View and Replacement Parts List

7.1. Exploded View



Production marking 7 digits
 6070001
 ┌ Serial No. (0001~)
 │ Month
 └ Year (last digits)

- ** Battery Pack is available as an optional accessory. See the nearest sales dealer for details.
- *** For replacement parts of charger, see the charger service manual.
 Charger complete set is available as an optional accessory. See the nearest sales dealer for details.

7.2. Replacement Parts List

Safety	Ref. No.	Part No.	Part Name & Description	Quantity	Remarks
	1	WEY7410K3227	CLUTCH HANDLE	1	
	2	WEY6225L0637	ADJUSTING SCREW	1	
	3	WEY6225L0167	CLUTCH SPRING	1	
	4	WEY7411L0317	RUBBER SHEET	1	(2*7.3)
	5	WEY6225L0847	CLUTCH PLATE	1	
	6	WEY6225L0397	PIN A	3	(ϕ 3*15.1), (3PCS/PK)
	7	WEY7410K3717	BIT HOLDER	1	
	8	WEY7410K1167	C-TYPE SPRING	1	
	9	WEY7410L0867	THRUST PLATE	1	
	10	WEY7410L0927	SPRING FOR BIT	1	
	11	WEY503B1927	STEEL BALL	2	(2PCS/PK)
	12	WEY7411L4057	GEAR CASE	1	
	13	WEY6225L0377	PIN C	2	(ϕ 2*22.8), (2PCS/PK)
	14	WEY7410H3237	CHANGE-GEAR HANDLE	1	
	15	WEY6225L6977	STEEL BALL	3	(ϕ 3.5), (3PCS/PK)
	16	WEY6225L1477	RING GEAR C	1	
	17	WEY6225L0387	PIN B	6	(ϕ 2.5*5.8), (6PCS/PK)
	18	WEY6225L1147	CARRIER D	1	
	19	WEY6225L1347	PLANET GEAR C	3	(3PCS/PK)
	20	WEY6225L0857	THRUST PLATE	1	
	21	WEY6225L1487	RING GEAR A	1	
	22	WEY6225L1117	CARRIER A	1	
	23	WEY6225L1127	CARRIER B	1	
	24	WEY6225L1367	PLANET GEAR B	3	(3PCS/PK)
	25	WEY6225L1137	CARRIER C	1	
	26	WEY6225L1357	PLANET GEAR A	3	(3PCS/PK)
	27	WEY6225L1497	RING GEAR B	1	
	28	WEY502B0207	INTERNAL PRESSURE	1	
	29	WEY6225L6027	SCREW	2	(K3-5)
	30	WEY6225L0027	MOTOR MOUNTING BASE	1	
	31	WEY7410L1008	DC MOTOR	1	
	32	WEY7410K2007	SWITCH	1	
	33	WEY7410L2127	DETECTION PCB	1	
	34	WEY7410H0397	LOCK LEVER	1	
	35	WEY7410X3117	BATTERY LOW WARNING LAMP COVER	1	
	36	WEY7410H3567	LED LIGHT ON/OFF BUTTON	1	
	37	WEY7411L2117	CONTROL PCB	1	
	38	WEY6225L0197	SPRING	1	
	39	WEY7410L2567	RADIATING PLATE	1	
	40	WEY7410L0207	TERMINAL BASE PLATE	1	
	41	WEY7411L2897	COUNTER HARNESS	1	
	42	WEY7411L3567	HOLD SWITCH	1	
	43	WEY7411K3578	CONTROL PANEL	1	
	44	WEY7411L2147	COUNT MODULE	1	
	45	WEY7411L2337	LED MODULE	1	
	46	WEY6225L0177	CLICK SPRING	1	
	47	WEY7411K3058	HOUSING AB SET	1	
	48	WEY6230L6017	TAPPING SCREW	4	(2.6*8)
	49	WEY502B0187	CLICK SPRING	2	(2PCS/PK)
	50	WEY502B6217	TAPPING SCREW	1	(M4-20)
	51	WEY7411K3938	GRIP AB SET	1	
	52	WEY6225L0157	FASTENING CLIP	2	(2PCS/PK)
	53	WEY7410H0877	HINGE COVER	1	
	54	WEY7410L1087	GEAR BOX BLOCK	1	
	55	WEY7410L3107	CLUTCH LOCK COVER	1	
	56	WEY6225S7888	#1 PHILIPS BIT	1	(L=1/4")
	57	WEY6225S7958	#2 PHILIPS BIT	1	(L=1/4")
	-	WEY7411K8008	INDIVIDUAL BOX	1	(for LA1C)
	-	WEY7411K8009	INDIVIDUAL BOX	1	(for LA1S)
	-	WEY7411K8108	OPERATING INSTRUCTIONS	1	