

Service Manual

Cordless Impact Driver

Model No. EY7542

North America



⚠ WARNING

This service information is designed for experienced repair technicians only and is not designed for use by the general public. It does not contain warnings or cautions to advise non-technical individuals of potential dangers in attempting to service a product. Products powered by electricity should be serviced or repaired only by experienced professional technicians. Any attempt to service or repair the product or products dealt with in this service information by anyone else could result in serious injury or death.

IMPORTANT SAFETY NOTICE

There are special components used in this equipment which are important for safety. These parts are marked by **⚠** in the Schematic Diagrams, Circuit Board Diagrams, Exploded Views and Replacement Parts List. It is essential that these critical parts should be replaced with manufacturer's specified parts to prevent shock, fire or other hazards. Do not modify the original design without permission of manufacturer.

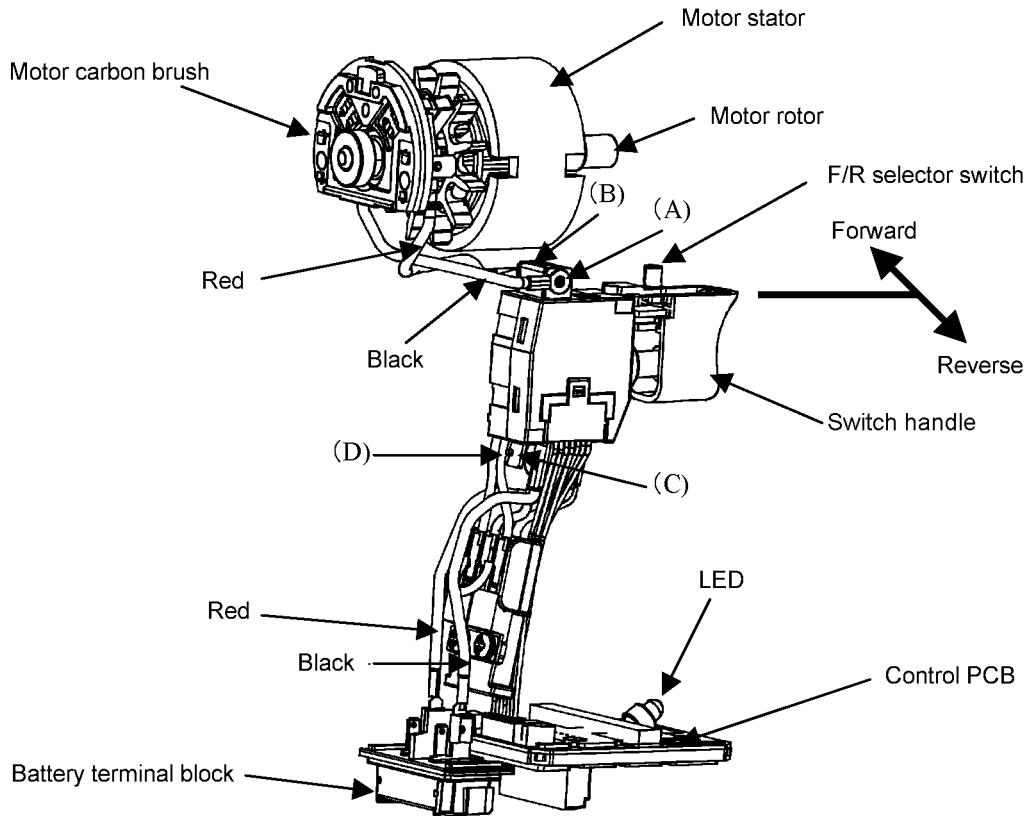
TABLE OF CONTENTS

	PAGE	PAGE
1 Warning -----	2	
2 Specifications -----	2	
3 Troubleshooting Guide -----	3	
4 Disassembly and Assembly Instructions -----	5	
5 Wiring Connection Diagram -----	13	
6 Schematic Diagram -----	13	
7 Exploded View and Replacement Parts List -----	14	

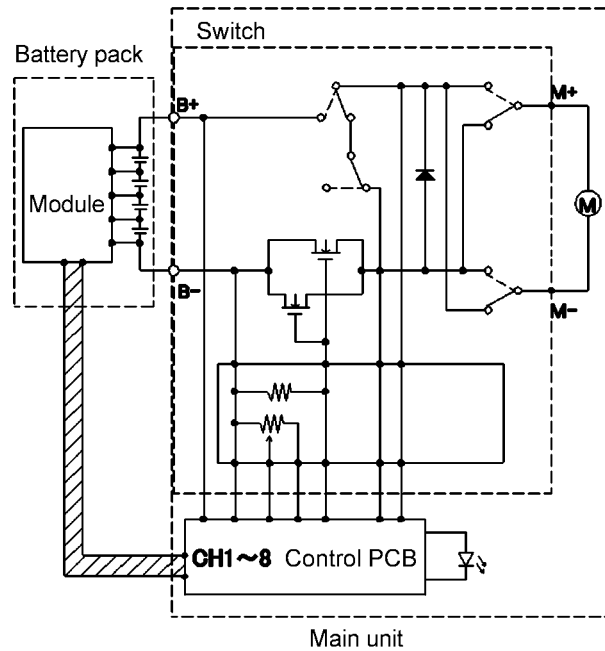
Panasonic[®]

© 2007 Matsushita Electric Works, Ltd. All rights reserved. Unauthorized copying and distribution is a violation of law.

5 Wiring Connection Diagram

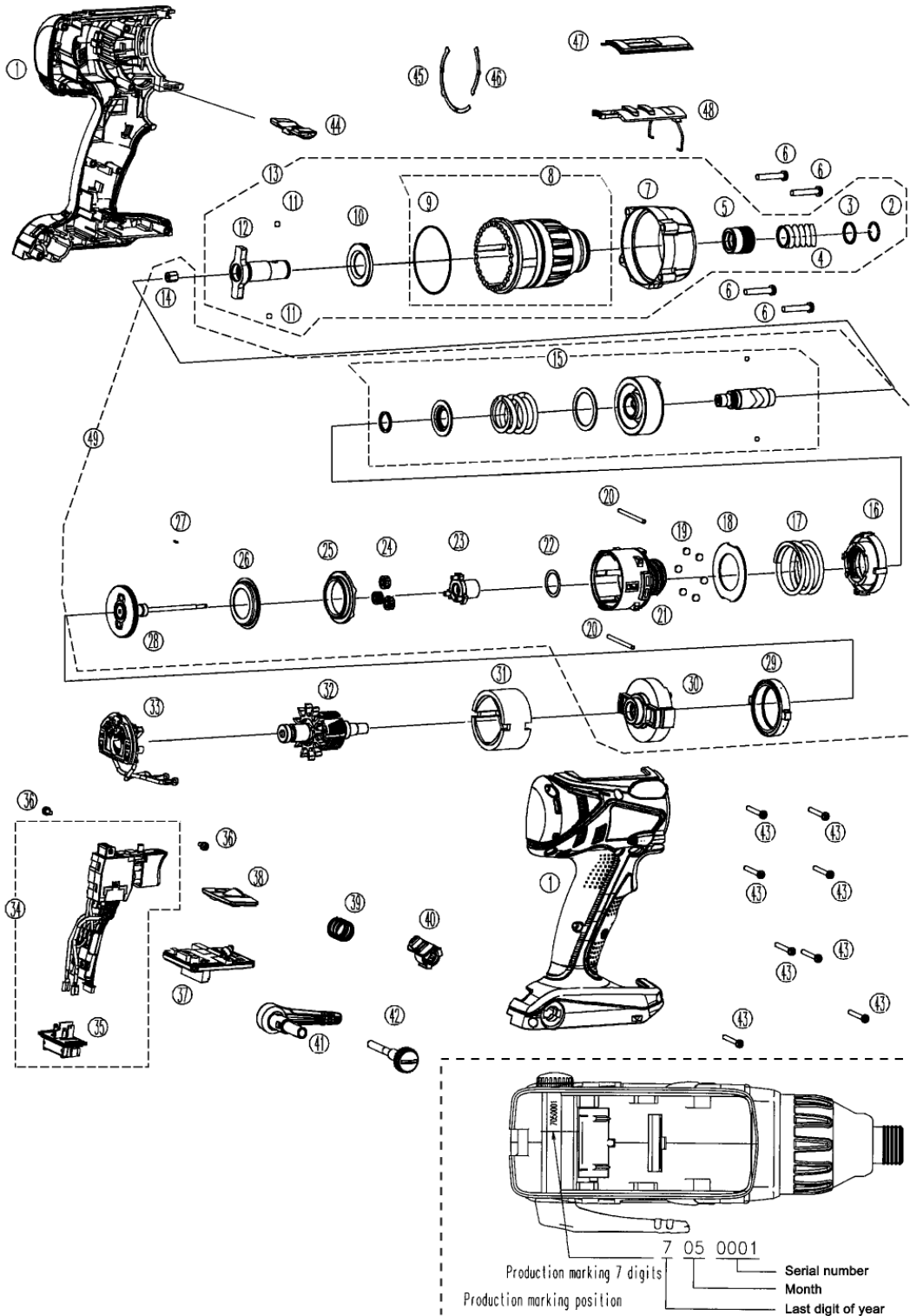


6 Schematic Diagram



7 Exploded View and Replacement Parts List

Model No. : EY7542 Exploded View



** Battery Pack is available as an optional accessory. See the nearest sales dealer for details.

*** For replacement parts of charger, see the charger service manual.

Charger complete set is available as an optional accessory. See the nearest sales dealer for details.

Model No. : EY7542 Parts List

Safety	Ref. No.	Part No.	Part Name & Description	Q'ty	Remarks
	1	WEY7542K3078	HOUSING AB SET	1	
	2	WEY6507K1167	C-TYPE RING	1	
	3	WEY6507L0857	THRUST PLATE	1	
	4	WEY6507L0197	BIT HOLDER SPRING	1	
	5	WEY6507K3717	BIT HOLDER	1	
	6	WEY6504S9067	TIGHT SCREW	4	(4*25)
	7	WEY6507S0647	FIXING COVER	1	
	8	WEY7542K3747	CLUTCH HANDLE	1	
	9	WEY7542L0968	O-RING	1	
	10	WEY6505L0867	SLIDER	1	
	11	WEY6507L6977	STEEL BALL	2	(φ3.5)
	12	WEY7542L1128	ANVIL	1	
	13	WEY7542K1128	FIXATION COVER ASSEMBLY	1	
	14	WEY6631L0887	CONNECT PIECE	1	
	15	WEY6507L1417	DRIVING SHAFT ASSEMBLY	1	
	16	WEY6507L0637	ADJUSTING SCREW	1	
	17	WEY6507L0167	CLUTCH SCREW	1	
	18	WEY6505L0577	CLUTCH PLATE	1	
	19	WEY6631L6977	STEEL BALL	6	(φ5), (6PCS/PK)
	20	WEY6481L0356	THRUST PIN SET	2	(φ2.5*33.6), (2PCS/PK)
	21	WEY6631L1067	GEAR CASE	1	
	22	WEY6505L0927	THRUST PLATE	1	
	23	WEY6631L1397	CARRIER	1	
	24	WEY6505L1346	PLANET GEAR	3	(3PCS/PK)
	25	WEY6631L1357	CLUTCH GEAR	1	
	26	WEY6631L0907	THRUST PLATE	1	
	27	WEY6505L0917	SP PIN	1	
	28	WEY6507L1367	CARRIER	1	
	29	WEY6507L1457	RING GEAR	1	
	30	WEY7542L0027	MOTOR MOUNTING PLATE	1	
	31	WEY7440L1187	STATOR	1	
	32	WEY7542L1467	MOTOR ROTOR ASSEMBLY	1	
	33	WEY7542L2307	MOTOR BRUSH ASSEMBLY	1	
	34	WEY7542K2007	SWITCH ASSEMBLY	1	
	35	WEY7540L2157	BATTERY TERMINAL BLOCK	1	
	36	WEY6230L6026	SCREW	2	(K3-6)
	37	WEY7542L2117	CONTROL PCB	1	
	38	WEY7440K3958	OPERATION PANEL	1	
	39	WEY7540L0167	SPRING FOR RELEASE LEVER	1	
	40	WEY7540H0407	HOOK RELEASE LEVER	1	
	41	WEY7542K3187	BELT HOOK SET	1	
	42	WEY7205K0257	BELT HOOK BOLT	1	
	43	WEY6230K9216	TORX TAPPING SCREW	9	(K3-20)

Model No. : EY7542 Parts List

Safety	Ref. No.	Part No.	Part Name & Description	Q'ty	Remarks
	44	WEY7542H3247	F/R SELECTOR HANDLE	1	
	45	WEY6631L0977	CLICK SPRING	1	
	46	WEY6505L0187	CLICK SPRING	1	
	47	WEY7542S3238	SELECT SWITCH COVER	1	
	48	WEY7542K3257	I/D CHANGE HANDLE	1	
	49	WEY7542L1458	GEAR BOX BLOCK	1	
	-	WEY7440K7018	TOOL CASE	1	[SH]
	-	WEY7542K8108	OPERATING INSTRUCTIONS	1	[SH]