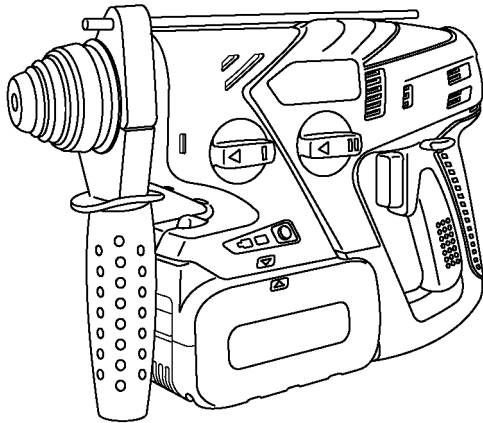


Service Manual

Cordless Rotary Hammer

Model No. **EY7880**

North America



⚠ WARNING

This service information is designed for experienced repair technicians only and is not designed for use by the general public. It does not contain warnings or cautions to advise non-technical individuals of potential dangers in attempting to service a product. Products powered by electricity should be serviced or repaired only by experienced professional technicians. Any attempt to service or repair the product or products dealt with in this service information by anyone else could result in serious injury or death.

IMPORTANT SAFETY NOTICE

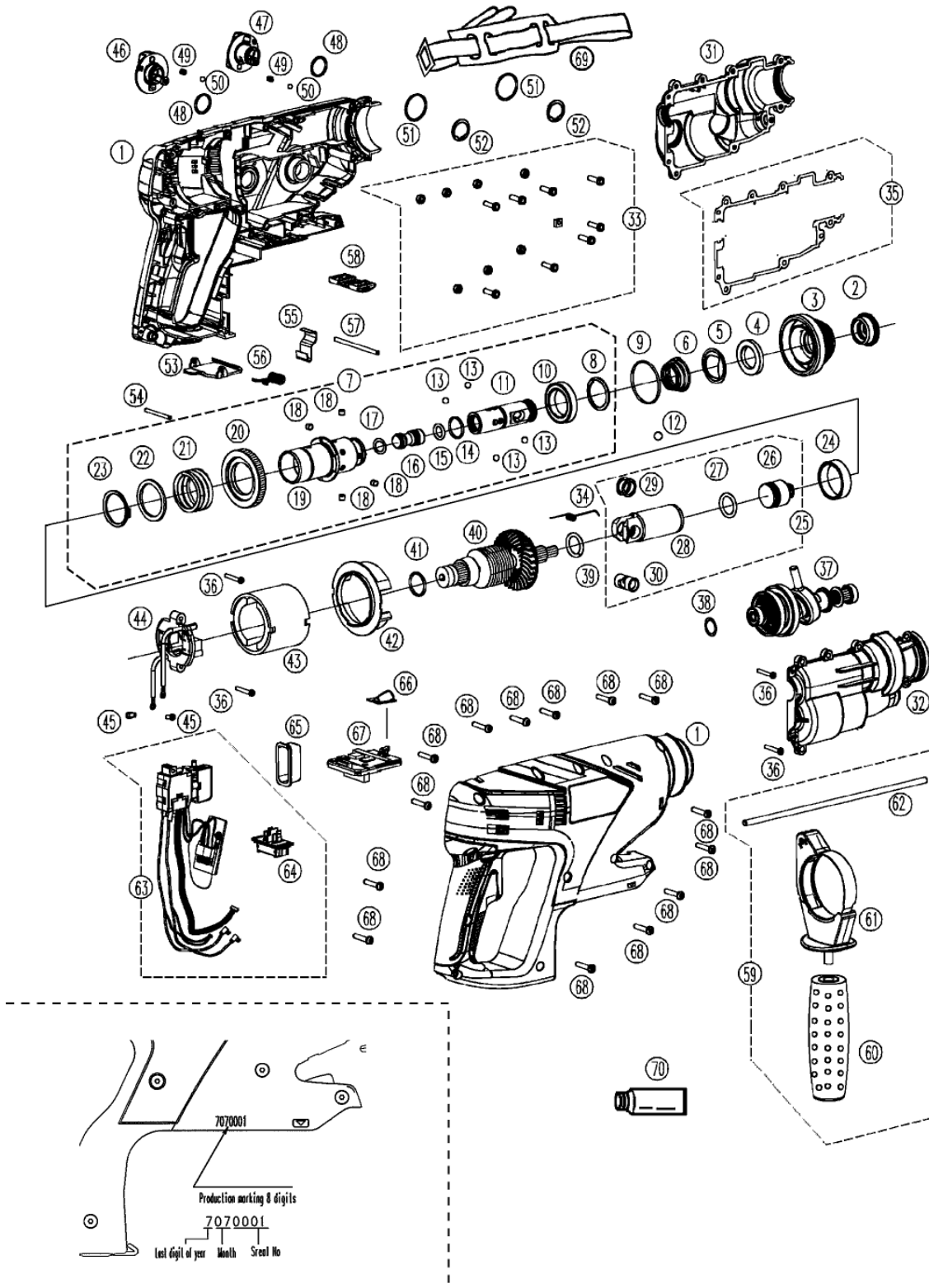
There are special components used in this equipment which are important for safety. These parts are marked by **⚠** in the Schematic Diagrams, Circuit Board Diagrams, Exploded Views and Replacement Parts List. It is essential that these critical parts should be replaced with manufacturer's specified parts to prevent shock, fire or other hazards. Do not modify the original design without permission of manufacturer.

TABLE OF CONTENTS

	PAGE	PAGE
1 Warning-----	2	
2 Specifications -----	2	
3 Troubleshooting Guide-----	3	
4 Disassembly and Assembly Instructions -----	7	
5 Wiring Connection Diagram -----	13	
6 Schematic Diagram-----	14	
7 Exploded View and Replacement Parts List -----	15	

7 Exploded View and Replacement Parts List

Model No. : EY7880 Exploded View for EY7880



Model No. : EY7880 Parts List

Safety	Ref. No.	Part No.	Part Name & Description	Q'ty	Remarks
	1	WEY7880K3078	HOUSING AB SET	1	
	2	WEY6813H3116	CHUCK COVER	1	
	3	WEY6813K3126	CHUCK HANDLE	1	
	4	WEY6813L0426	BALL GUIDE	1	
	5	WEY6813L0436	CHUCK SPRING STRIKE PLATE	1	
	6	WEY6813L0916	CHUCK SPRING	1	
	7	WEY7880L4307	SPINDLE ASSEMBLY	1	
	8	WEY6813L0477	SNAP RING	1	
	9	WEY6813L0366	O RING	1	(φ35)
	10	WEY6813L4957	BEARING	1	
	11	WEY7880L0057	SPINDLE	1	
	12	WEY6813L1916	STEEL BALL	1	(φ7)
	13	WEY6813L1926	STEEL BALL	4	(φ5), (4PCS/PK)
	14	WEY6813L0317	O RING	1	
	15	WEY6813L0327	O RING	1	
	16	WEY6813L1237	STRIKER	1	
	17	WEY7880L0337	O RING	1	(φ3.2)
	18	WEY6813L0907	PIN	4	(φ5×4), (4PCS/PK)
	19	WEY6813L0067	CYLINDER	1	
	20	WEY6813L1397	POWER GEAR	1	
	21	WEY6813L0927	CLUTCH SPRING	1	
	22	WEY6813L0207	THRUST PLATE	1	
	23	WEY6813L0217	SNAP RING	1	(φ30)
	24	WEY6812L0386	BEARING	1	
	25	WEY7880L1247	PISTON ASSEMBLY	1	
	26	WEY7880L4627	HAMMER	1	
	27	WEY6812L0976	O RING	1	
	28	WEY7880L1987	PISTON	1	
	29	WEY6812L0846	THRUST PLATE	2	(2PCS/PK)
	30	WEY7880L1257	UNIVERSAL COUPLING	1	
	31	WEY7880L0017	GEAR CASE A	1	
	32	WEY7880L0027	GEAR CASE B	1	
	33	WEY7880L0897	SCREW AND NUT SET	1SET	
	34	WEY7880L0177	SPRING	1	(φ3.5)
	35	WEY7880L0987	GASKET AB SET	1	
	36	WEY6930K9037	SCREW	4	(K3-20)
	37	WEY6813L4076	INTERMEDIATE SHAFT ASSEMBLY	1	
	38	WEY6502L0857	THRUST PLATE	1	
	39	WEY7880L0857	C-TYPE THRUST PLATE	1	
	40	WEY7880L1467	MOTOR ROTOR ASSEMBLY	1	
	41	WEY6813L0356	O RING	1	
	42	WEY6813L0446	CURRENT PLATE	1	
	43	WEY7880L4987	MOTOR CASE ASSEMBLY	1	

Model No. : EY7880 Parts List

Safety	Ref. No.	Part No.	Part Name & Description	Q'ty	Remarks
	44	WEY7880L4637	MOTOR BRUSH ASSEMBLY	1	
	45	WEY6261B6026	SCREW	2	(K3-6)
	46	WEY7880H4617	H/S HANDLE	1	
	47	WEY7880H4607	H/D HANDLE	1	
	48	WEY7880L0387	O RING	2	(φ15.6)
	49	WEY6813L1406	CLICK SPRING	2	(2PCS/PK)
	50	WEY7880B6967	STEEL BALL	2	(φ4)
	51	WEY7880L0377	O RING	2	
	52	WEY6813L0456	SNAP RING	2	(2PCS/PK)
	53	WEY7880L0257	LOCK LEVER	1	
	54	WEY7880L0507	PIN	1	(3*34)
	55	WEY7880L0167	PLATE SPRING	1	
	56	WEY7880L0187	SPRING	1	(φ4.8)
	57	WEY7880L0287	PIN	1	(3.5-60)
	58	WEY7880L3147	F/R HANDLE	1	
	59	WEY6813K4626	AUXILIARY HANDLE	1	
	60	WEY6813H3927	GRIP	1	
	61	WEY6813K4636	SUPPORT HANDLE	1	
	62	WEY6813H7726	DEPTH GAUGE	1	
	63	WEY7880L4157	SWITCH ASSEMBLY	1	
	64	WEY7880L2157	BATTERY TERMINAL BASE	1	
	65	WEY7880L3137	TRIGGER COVER	1	
	66	WEY7880L3957	LED COVER	1	
	67	WEY7880L2117	MAIN PCB ASSEMBLY	1	
	68	WEY3503K6206	TORX TAPPING SCREW	14	(K4-20)
	69	WEY7880L3417	SHOULDER STRAP	1	
	70	WEY6812T7916	BIT GREASE	1	[SH]
	-	WEY9635K7018	TOOL CASE	1	[SH]
	-	WEY7880K8108	OPERATING INSTRUCTIONS	1	[SH]