

Service Manual

Cordless Drill & Driver

Model No. EYFEA1N

North America



⚠ WARNING

This service information is designed for experienced repair technicians only and is not designed for use by the general public. It does not contain warnings or cautions to advise non-technical individuals of potential dangers in attempting to service a product. Products powered by electricity should be serviced or repaired only by experienced professional technicians. Any attempt to service or repair the product or products dealt with in this service information by anyone else could result in serious injury or death.

IMPORTANT SAFETY NOTICE

There are special components used in this equipment which are important for safety. These parts are marked by ⚠ in the Schematic Diagrams, Circuit Board Diagrams, Exploded Views and Replacement Parts List. It is essential that these critical parts should be replaced with manufacturer's specified parts to prevent shock, fire or other hazards. Do not modify the original design without permission of manufacturer.

TABLE OF CONTENTS

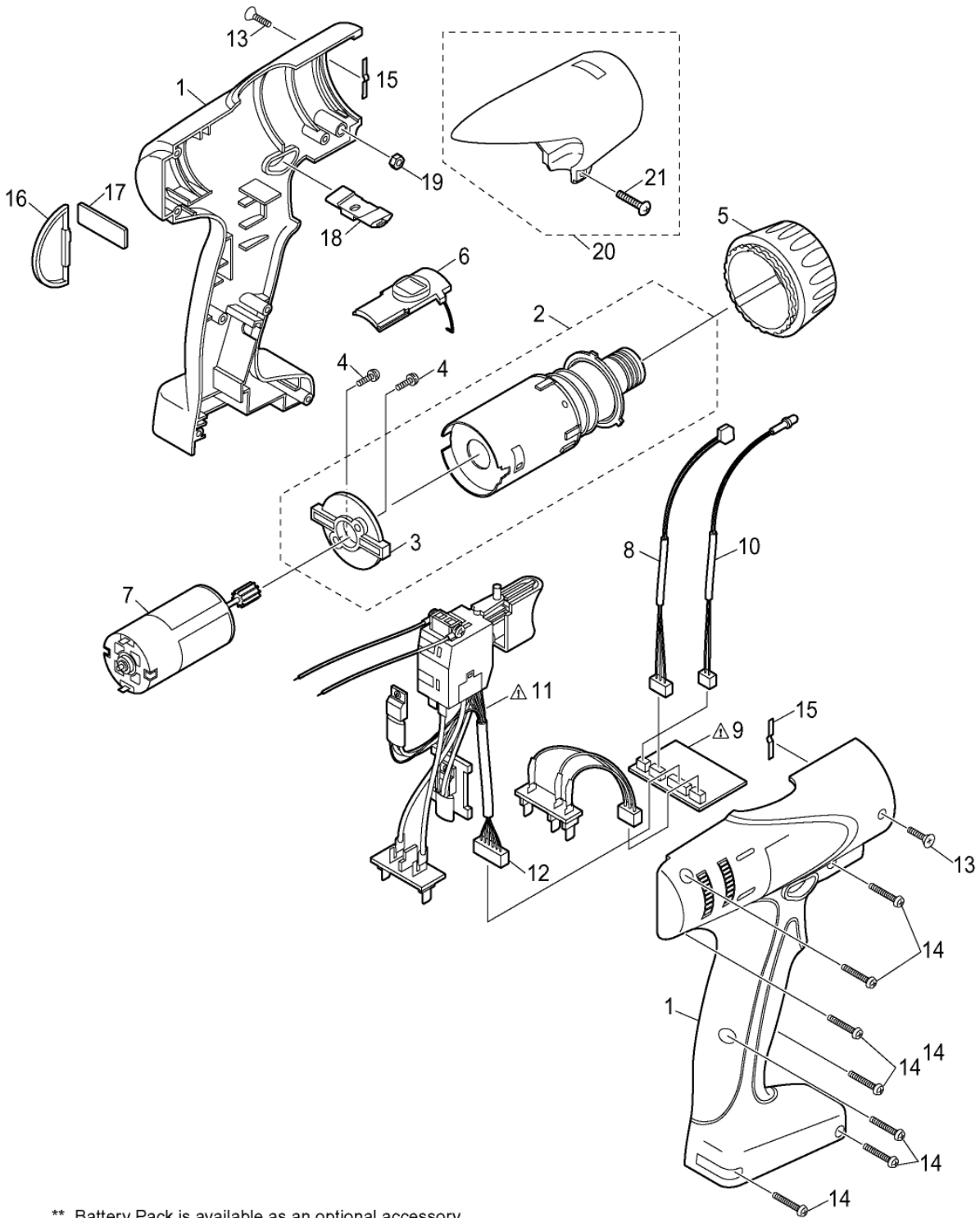
	PAGE	PAGE
1 Warning-----	2	
2 Specifications -----	2	
3 Troubleshooting Guide-----	3	
4 Disassembly and Assembly Instructions -----	7	
5 Wiring Connection Diagram -----	14	
6 Schematic Diagram-----	14	
7 Exploded View and Replacement Parts List -----	15	

Panasonic[®]

© Panasonic Electric Works Co., Ltd. 2011.
All rights reserved. Unauthorized copying and distribution is a violation of law.

7 Exploded View and Replacement Parts List

Model No. : EYFEA1N Exploded View



** Battery Pack is available as an optional accessory.
See the nearest sales dealer for details.

*** For replacement parts of charger, see the charger service manual.

Charger complete set is available as an optional accessory. See the nearest sales dealer for details.

Model No. : EYFEA1N Parts List

Safety	Ref. No.	Part No.	Part Name & Description	Q'ty	Remarks
	1	WEYFEA1N3078	HOUSING AB SET	1	
	2	WEY7420L1087	GEAR BOX BLOCK	1	
	3	WEY7420L3747	MOTOR MOUNTING PLATE	1	
	4	WEY6225L6026	SEMS SCREW	2	(M3*5)
	5	WEY7420L0637	CLUTCH HANDLE	1	
	6	WEY7410H3237	H/L CHANGE HANDLE	1	
	7	WEY7420L1007	DC MOTOR	1	
	8	WEY7420L2127	TORQUE DETECTION PCB	1	
	9	WEYFEA1N2117	MAIN PCB ASSEMBLY	1	
	10	WEY7420L2337	LED ASSEMBLY	1	
	11	WEY7420K2008	SWITCH ASSEMBLY	1	
	12	WEY7420L4127	TERMINAL BASE ASSEMBLY	1	
	13	WEY6605L9626	TAPPING SCREW	2	(2.6*8)
	14	WEY6402K9217	TAPPING SCREW	7	(K3*16)
	15	WEY6225L0176	CLICK SPRING	2	
	16	WEY7420L0057	HOOK RING	1	
	17	WEY7420L0167	RING PLATE	1	
	18	WEY7542H3247	F/R SELECTOR HANDLE	1	
	19	WEY7420L6417	NUT	1	(M3)
	20	WEYFEA1N3137	CLUTCH LOCK COVER	1	
	21	WEYFEA1N6027	SCREW	1	(T3*15)
	-	WEY9L20R2787	BATTERY PACK COVER	1	
	-	WEYFEA1N8108	OPERATING INSTRUCTIONS	1	
	-	WEY6705X5527	SUNLIGHT GREASE	1	
	-	WEWGW2	FLOIL GREASE	1	