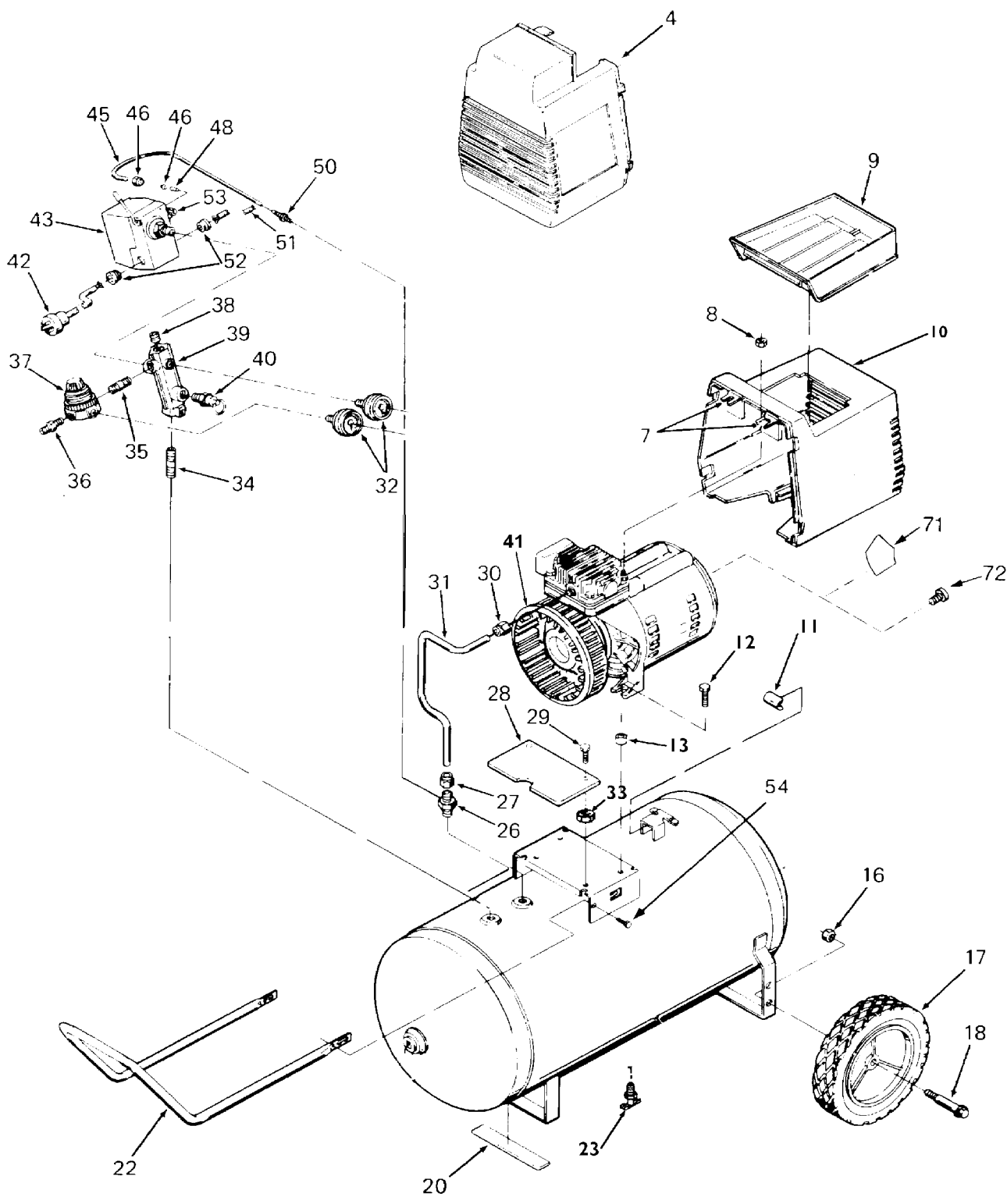


| KEY NO. | TORQUE |
|---------|---------------------|
| 59 | 7 to 10 Ft. Lbs. |
| 57 | 7 to 10 Ft. Lbs. |
| 67 | 100 to 120 In. Lbs. |
| 69 | 80 to 100 In. Lbs. |
| ◆ | 42 to 48 In. Lbs. |



Parts List for F220 Type 1

| Item Number | Part Number | Description | Qty Required |
|-------------|-------------|----------------------|--------------|
| 4 | AC-0078 | SHROUD FRONT BLK | 1 |
| 7 | CAC-1121 | BRACKET SHROUD | 2 |
| 8 | 038738-00 | NUT | 2 |
| 9 | CAC-1080 | TRAY TOOL | 1 |
| 10 | 000000-00 | No Longer Available | 1 |
| 11 | 000000-00 | No Longer Available | 1 |
| 12 | SSF-505 | SCREW .250-28X.915 U | 2 |
| 13 | 000000-00 | No Longer Available | 2 |
| 16 | SSF-8080-ZN | NUT .375-16 UNC-2B H | 2 |
| 17 | 000000-00 | No Longer Available | 2 |
| 18 | CAC-60 | BOLT .375-16X2.25 UN | 2 |
| 20 | SUDL-6-1 | STRIP RUBBER FOOT | 1 |
| 22 | 000000-00 | No Longer Available | 1 |
| 23 | N286039 | DRAIN VALVE | 1 |
| 26 | A19711 | VALVE CHECK 1/2NPT X | 1 |
| 27 | SSP-7813 | ASSY NUT SLEEVE 3/8 | 1 |
| 28 | AC-0155 | PLATE | 1 |
| 29 | SSF-1000 | SCREW #12-14X.750 HE | 2 |
| 30 | SSP-7821-1 | NUT .563-18 UNF HEX | 1 |
| 31 | CAC-1155 | TUBE OUTLET 2.5 & 3H | 1 |
| 32 | Z-D23004 | GAUGE 1.5OD 200PSI . | 1 |
| 33 | 000000-00 | No Longer Available | 1 |
| 34 | SS-2072-1 | NIPPLE .375 NPT X 1. | 1 |
| 35 | N053094 | NIPPLE | 1 |
| 36 | D26889 | ADAPTER .25 NPT X .2 | 1 |
| 37 | CAC-4296-1 | REGULATOR 3PORT P2 L | 1 |
| 38 | SS-3222-CD | PLUG PIPE | 1 |

Parts List for F220 Type 1

| Item Number | Part Number | Description | Qty Required |
|-------------|--------------|-----------------------|--------------|
| 39 | 000000-00 | No Longer Available | 1 |
| 40 | 000000-00 | No Longer Available | 1 |
| 41 | CAC-1120 | SLEEVE SILICONE | 1 |
| 42 | SUDL-403-1 | ASSY CORD POWER SJT | 1 |
| 43 | 000000-00 | No Longer Available | 1 |
| 45 | CAC-1085-1 | TUBE PRESSURE RELIEF | 1 |
| 46 | SSP-7811 | ASSY NUT SLEEVE 1/4 | 1 |
| 48 | 5130039-00 | SLEEVE | 1 |
| 50 | 000000-00 | No Longer Available | 1 |
| 51 | CAC-4215-1 | ASSY CORD MOTOR SJT | 1 |
| 52 | 33821-00 | BUSHING | 2 |
| 52 | 438010040063 | HEYCO BUSHINGS | 1 |
| 53 | KK-4315 | KIT VALVE REPLACEMENT | 1 |
| 54 | SSF-981 | SCREW .250-14X.500 H | 4 |
| 55 | DAC-143 | FILTER INTAKE | 1 |
| 56 | KK-4981 | KIT MUFFLER FILTER | 1 |
| 57 | SSF-990 | SCREW .250-20X1.25 U | 2 |
| 58 | 000000-00 | No Longer Available | 1 |
| 59 | 000000-00 | No Longer Available | 2 |
| 60 | ACG-45 | ORING P/L HEAD | 1 |
| 61 | 000000-00 | No Longer Available | 1 |
| 62 | SSG-8156 | ORING 2.759/2.719ID | 1 |
| 63 | KK-4835 | KIT CONNECTING ROD L | 1 |
| 64 | KK-4835 | KIT CONNECTING ROD L | 1 |
| 65 | 000000-00 | No Longer Available | 1 |
| 66 | 000000-00 | No Longer Available | 1 |
| 67 | SSF-3153 | SCREW .313-18X.500 U | 1 |

Parts List for F220 Type 1

| Item Number | Part Number | Description | Qty Required |
|-------------|-------------|----------------------|--------------|
| 68 | KK-5018 | KIT FAN | 1 |
| 69 | KK-5018 | KIT FAN | 1 |
| 71 | 000000-00 | No Longer Available | 1 |
| 72 | SUDL-9-1 | SCREW #8-32X.375/.34 | 1 |
| 74 | DAC-142 | SCREEN FILTER W/ FAS | 1 |
| 75 | KK-5018 | KIT FAN | 1 |
| 76 | SS-3222-CD | PLUG PIPE | 1 |
| 77 | KK-4981 | KIT MUFFLER FILTER | 1 |
| 856 | 000000-00 | No Longer Available | 1 |
| 856 | 000000-00 | No Longer Available | 1 |
| 856 | 000000-00 | No Longer Available | 1 |
| 856 | KK-4835 | KIT CONNECTING ROD L | 1 |
| 856 | KK-5018 | KIT FAN | 1 |
| 856 | KK-4981 | KIT MUFFLER FILTER | 1 |