

Figure 1 F84 General Assembly Diagram

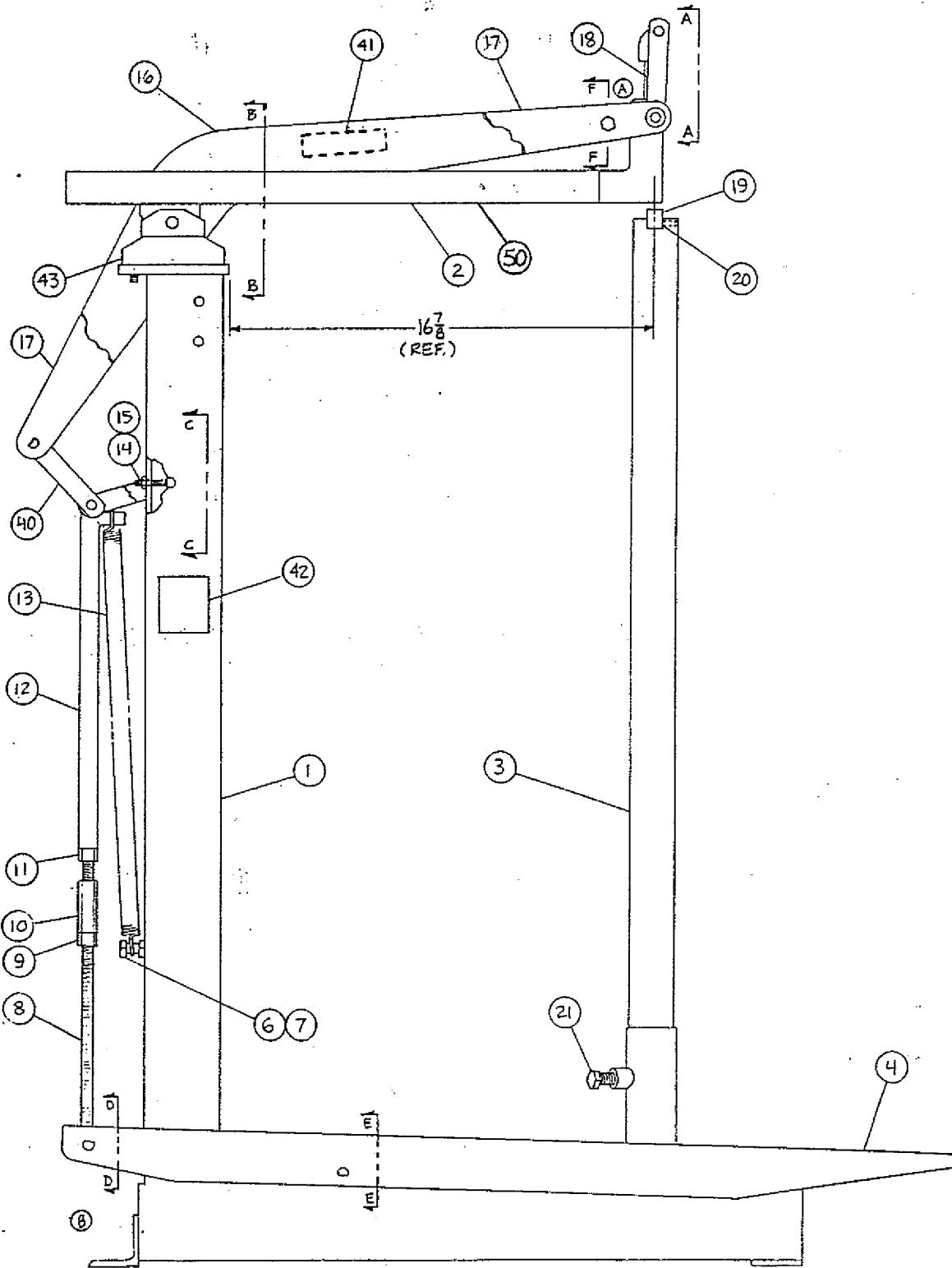
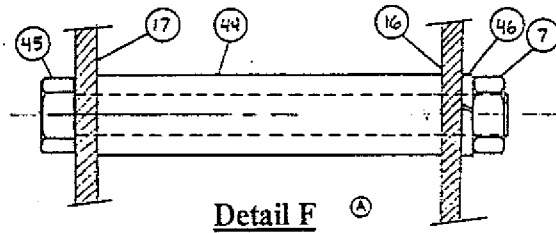
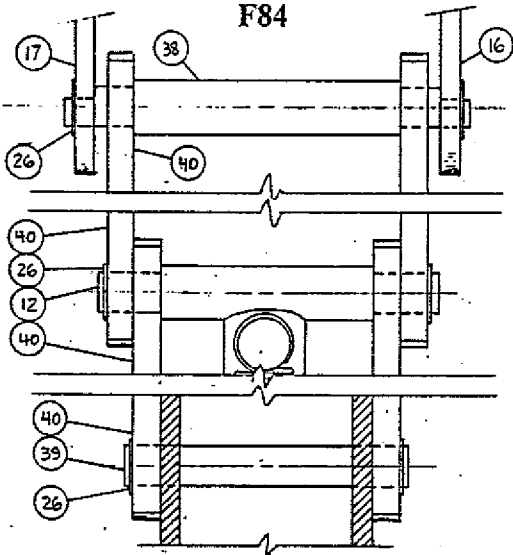
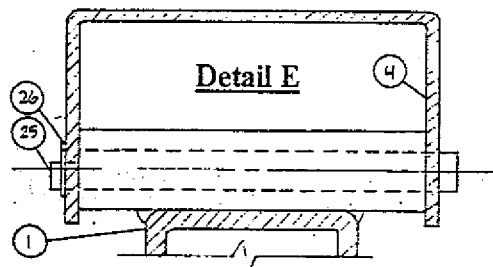
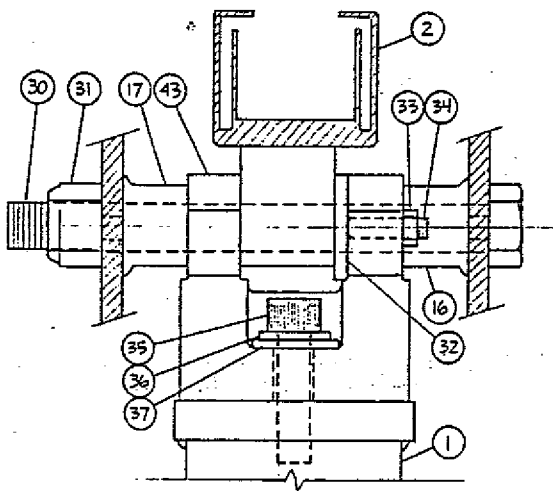
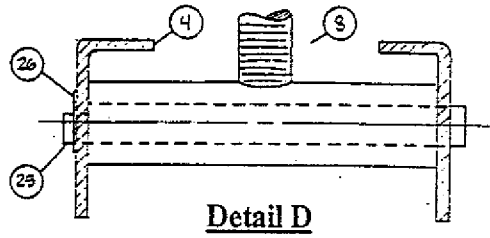
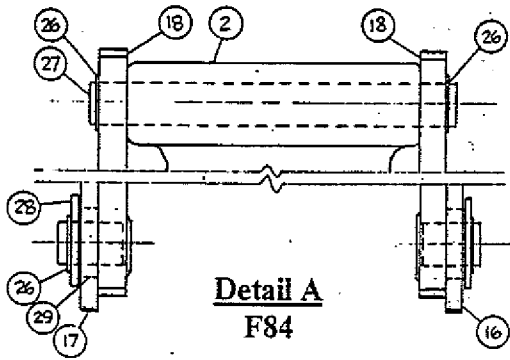


Figure 2 F84 Detail Assembly Diagrams



Parts List for F84 Type 0

| Item Number | Part Number | Description | Qty Required |
|-------------|-------------|----------------------|--------------|
| 1 | 000000-00 | No Longer Available | 1 |
| 2 | F9400EDHD | STAPLER HEAD | 1 |
| 3 | 000000-00 | No Longer Available | 1 |
| 4 | MG10520 | TREADLE | 1 |
| 6 | UA6116.1 | SCREW-3/8-16 X 1 HHC | 1 |
| 7 | HN3816 | NUT-3/8-16 HEX ZINC | 2 |
| 8 | 000000-00 | No Longer Available | 1 |
| 9 | HN1220.4 | NUT-1/2-20 HEX JAM B | 1 |
| 10 | PG10527 | ADJUSTMENT NUT | 1 |
| 11 | HN1220.5 | NUT-1/2-20 HEX JAM L | 1 |
| 12 | 000000-00 | No Longer Available | 1 |
| 13 | PG10537 | SPRING-3/4 OD EXTENS | 1 |
| 14 | 000000-00 | No Longer Available | 1 |
| 15 | HN1420 | NUT-1/4-20 HEX ZINC | 1 |
| 16 | MG10540RA | MAIN LEVER WELD - RI | 1 |
| 17 | 000000-00 | No Longer Available | 1 |
| 18 | MG10550A | HEAD LINK WELD | 1 |
| 19 | MG10516 | CLINCHER-GROOVED | 1 |
| 20 | P7499 | SCREW-1/4-20X1/2 SHS | 2 |
| 21 | 000000-00 | No Longer Available | 1 |
| 25 | PG10521 | TREADLE PIVOT PIN | 2 |
| 26 | 85017 | RETAINING RING-5100- | 12 |
| 27 | PG10549 | HEAD TOP PIVOT PIN | 1 |
| 28 | P6944 | WASHER-3/8 SAE FLAT | 2 |
| 29 | PG10552 | HEAD LINK BUSHING | 2 |
| 30 | 000000-00 | No Longer Available | 1 |
| 31 | PG10547 | NUT-7/16-14 HEX NYLO | 1 |

Parts List for F84 Type 0

| Item Number | Part Number | Description | Qty Required |
|-------------|-------------|----------------------|--------------|
| 32 | MG10548 | HEAD FRICTION PLATE | 2 |
| 33 | HN1032 | NUT-10-32 STD HEX ZI | 2 |
| 34 | 000000-00 | No Longer Available | 2 |
| 35 | 000000-00 | No Longer Available | 2 |
| 36 | LW516 | WASHER-5/16 REG HEL | 2 |
| 37 | PW516 | WASHER-5/16 SAE FLAT | 2 |
| 38 | PG10538 | LEVER REAR PIVOT PIN | 1 |
| 39 | PG10536 | BACK TUBE PIVOT PIN | 1 |
| 40 | MG10535 | LINK | 4 |
| 41 | 000000-00 | No Longer Available | 2 |
| 42 | 000000-00 | No Longer Available | 1 |
| 43 | MG10544 | HEAD PIVOT BLOCK | 1 |
| 44 | 000000-00 | No Longer Available | 1 |
| 45 | PG10571 | SCREW-3/8-16X4 HHCS- | 1 |
| 46 | P8693 | WASHER-3/8 FLAT ZINC | 1 |