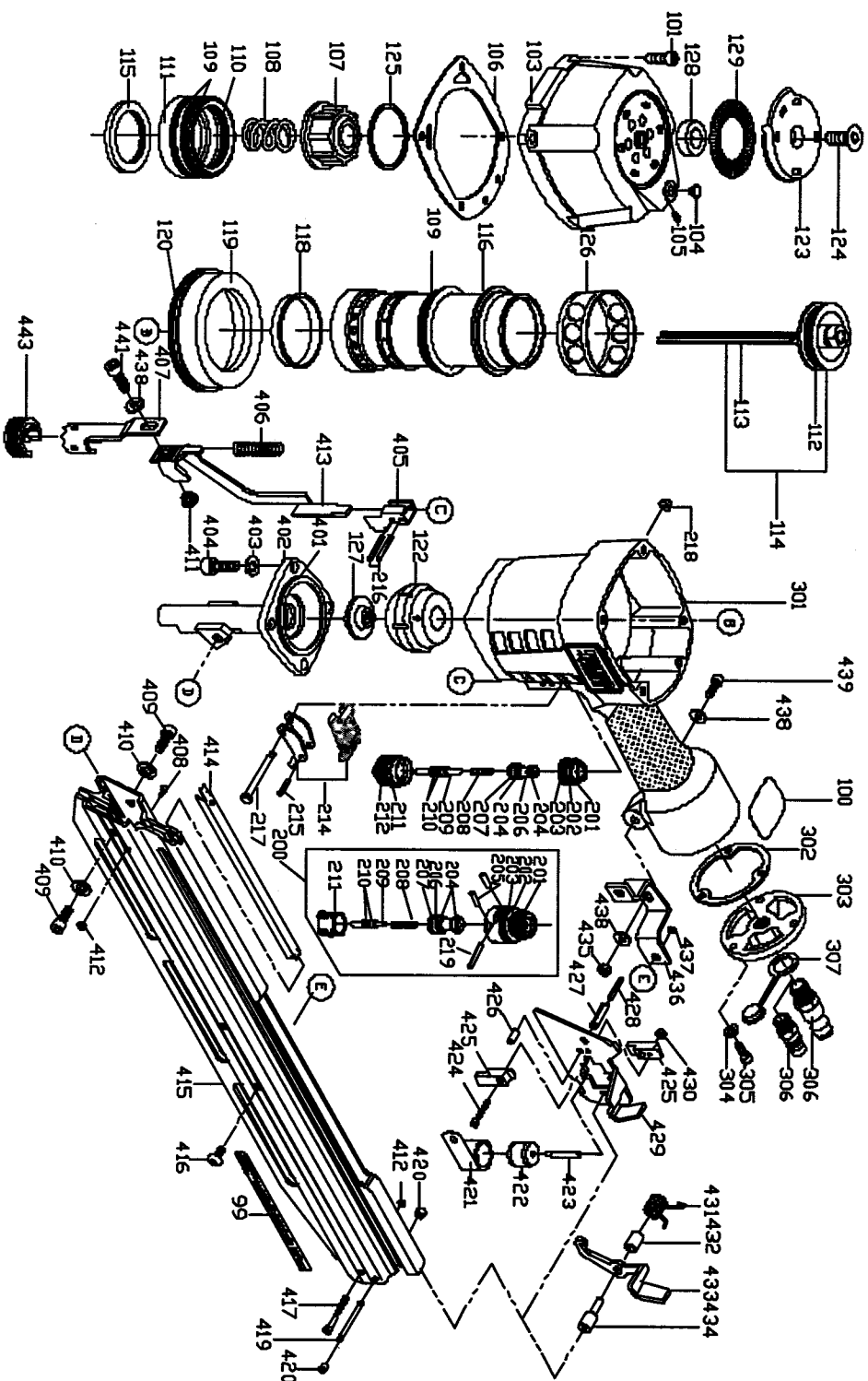


# PORTER-CABLE CLIPPED HEAD FRAMING NAILER

FC350



## Parts List for FC350 Type 2

Item Number	Part Number	Description	Qty Required
99	903331	INFORMATION PLATE	1
99	903331	INFORMATION PLATE	1
100	904673	WARNING LABEL	1
101	898306	BOLT	1
103	000000-00	No Longer Available	1
104	886148	GROMMET	1
105	883912	SET SCREW	1
106	000000-00	No Longer Available	1
107	901901	PISTON STOP AFTER	1
108	A02668	COMPRESSION SPRING	1
109	886081	O-RING	2
110	886082	O-RING	1
111	A02667	HEAD VALVE PISTON	1
112	887905	O-RING	1
113	908650	DRIVER	1
114	903770	DRIVER MAINT KIT	1
114	903770	DRIVER MAINT KIT	1
115	886108	HD VLV SEAL	1
116	890723	CYLINDER	1
118	886168	CHECK RING	1
119	886156	CYLINDER SPACER	1
120	886100	O-RING	1
122	886157	BUMPER	1
123	886146	DEFLECTOR	1
124	886431	SCREW T2	1
125	886149	WASHER	1
126	886206	PRESS RING	1

## Parts List for FC350 Type 2

Item Number	Part Number	Description	Qty Required
127	886432	DRIVER GUIDE	1
128	886433	RUBBER PAD	1
129	886541	MUFFLER	1
200	A08368	SS/A TRIGGER VALVE K	1
201	897340	O-RING	1
201	883831	O-RING	1
202	897342	CAP	1
202	883934	BREATHER VALVE	1
203	897341	O-RING	1
203	883935	O-RING	1
204	883936	O-RING	1
205	897374	PIN (3X12)	1
206	883937	TRIGGER VALVE	1
207	883938	O-RING	1
208	883939	PLUNGER SPRING	1
209	897346	PLUNGER	1
209	883940	PLUNGER	1
210	883848	O-RING	2
211	897347	VALVE	1
211	883941	TRIGGER CAP	1
212	883942	O-RING	1
214	5140030-10	RESTRICTIVE TRIGGER	1
214	5140030-09	BOTTOM FIRE TRIGGER	1
214	893930	BOTTOM FIRE TRIGGER	1
214	893077	RESTRICTIVE TRIGGER	1
215	883945	ROLLED PIN	1
216	883884	ROLLED PIN	1

## Parts List for FC350 Type 2

Item Number	Part Number	Description	Qty Required
217	890724	PIN	1
217	883884	ROLLED PIN	1
218	890725	URETHANE RETAINER	1
219	897349	PIN-SPRING	1
301	901387	HOUSING	1
302	886158	GASKET	1
303	886159	3/8 END CAP	1
304	883827	SPRING WASHER	1
305	883826	BOLT	1
305	894752	BOLT	1
306	886103	3/8 MALE QUICK CP	1
306	887077	1/4 MALE QUICK CP	1
307	886263	3/8 PROT COVER(AI	1
307	887078	1/4 PROT CVR(AIR	1
401	886084	O-RING	1
402	890726	NOSE PIECE	1
404	894800	BOLT	1
405	886161	SAFETY GUIDE	1
406	903354	SAFETY SPRING - CE	1
407	886213	SAFETY A	1
408	883866	BOLT	1
409	886257	BOLT	1
410	886077	LOCK WASHER	1
411	886215	SCREW FIXING SEAT	1
412	883882	LOCK NUT	1
413	000000-00	No Longer Available	1
414	886209	STEEL CHANNEL	1

## Parts List for FC350 Type 2

Item Number	Part Number	Description	Qty Required
415	000000-00	No Longer Available	1
416	886260	BOLT	1
417	886253	BOLT	1
419	886181	LATCH PIN	1
420	886145	RETAINING RING	1
421	886162	SPRING	1
422	886175	ROLLING ELEMENT	1
423	886207	PIN	1
424	886252	BOLT	1
425	A01320	PUSHER BRG	1
426	888597	PIN	1
427	886072	ROLLED PIN	1
428	886070	ROLLED PIN	1
429	A01321	PUSHER	1
430	886104	LOCK NUT	1
431	886167	LATCH SPRING	1
432	886166	LATCH SPRG BUSHING	1
433	886165	LATCH	1
434	886164	MAGAZINE SPACER	1
435	883970	NUT-LOCK	1
436	886212	BRACKET	1
437	886105	LOCKNUT	1
438	883971	WASHER-FLAT	1
439	886255	BOLT	1
441	883994	BOLT	1
443	887247	NOSE CUSHION ASSY	1
800	884293	AIR TOOL OIL (18CC)	1

## Parts List for FC350 Type 2

Item Number	Part Number	Description	Qty Required
856	903788	OVERHAUL KIT	1
856	903788	OVERHAUL KIT	1
856	60074	OVERHAUL KIT	1
856	893579	SAFETY GLASSES	1
856	884300	HEX WRENCH	1
856	884298	HEX WRENCH (4MM)	1
856	884299	HEX WRENCH (5MM)	1
861	887244	CARRYING CASE FR350-	1
861	887712	LATCH CARRYING CASE	1