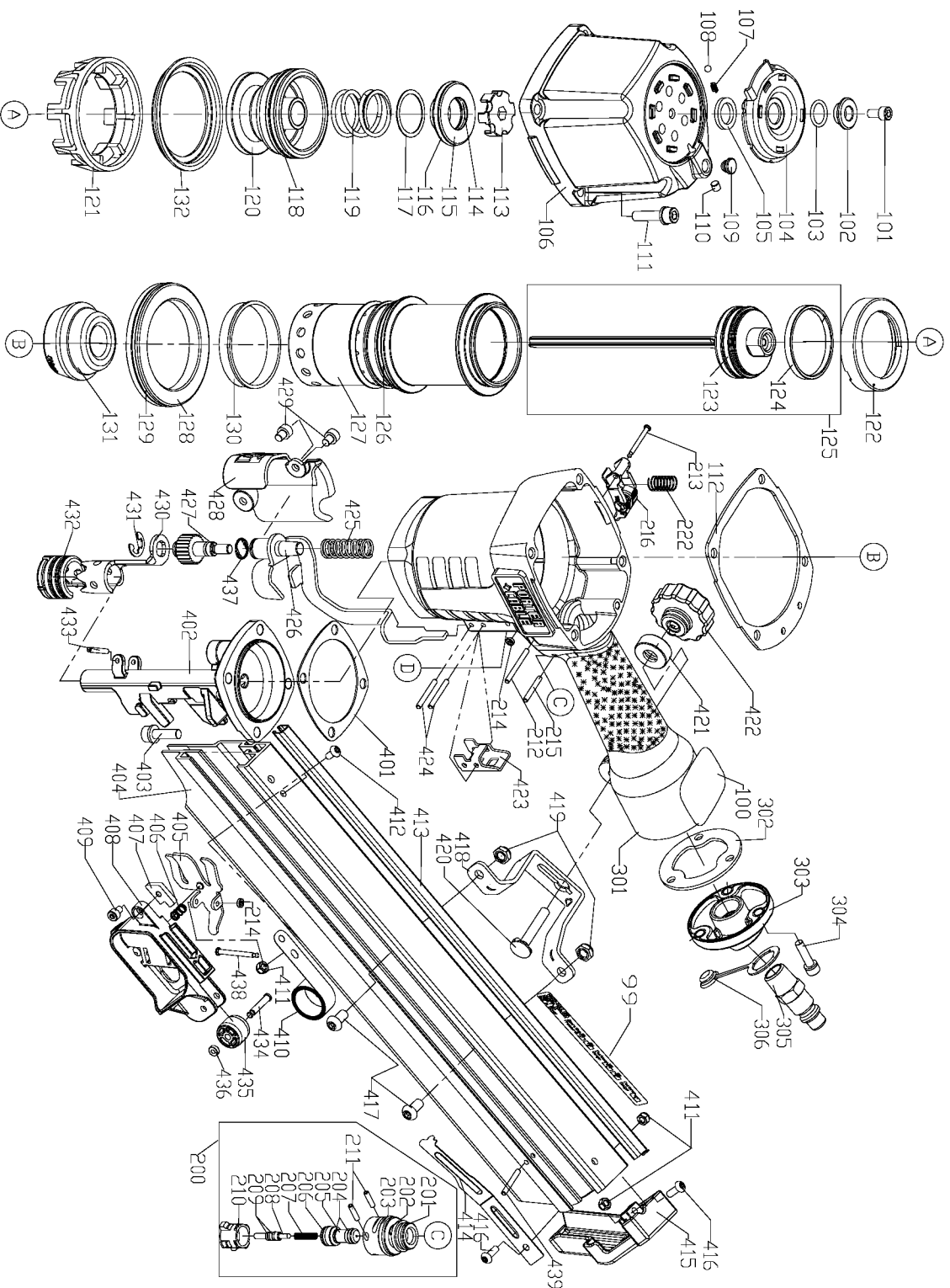


PORTER-CABLE CLIPPED HEAD FRAMING NAILER

FCP350



Parts List for FCP350 Type 1

Item Number	Part Number	Description	Qty Required
99	906392	LABEL	1
100	904673	WARNING LABEL	1
101	898303	SCREW	1
102	886186	WASHER	10
103	883849	O-RING	4
104	886187	DEFLECTOR	1
105	886188	RUBBER PAD	1
106	907878	CYLINDER CAP	1
107	886189	SPRING	1
108	886101	BALL	1
109	886148	GROMMET	1
110	883912	SET SCREW	1
111	898306	BOLT	4
112	906440	GASKET	1
113	907879	SPACER	1
114	898308	O-RING	4
115	903815	COLLAR	1
116	883833	O-RING	4
117	898311	GASKET	1
118	898312	O-RING	4
119	000000-00	No Longer Available	1
120	907909	HEAD VALVE PISTON	1
121	907881	PRESS RING	1
122	907882	PISTON CATCH	1
123	898317	O-RING	4
124	898318	PISTON RING	1
125	906428	DRIVER MAINT KIT	1

Parts List for FCP350 Type 1

Item Number	Part Number	Description	Qty Required
125	906428	DRIVER MAINT KIT	1
125	906441	DRIVER BLADE	1
126	883917	O-RING	5
127	000000-00	No Longer Available	1
128	000000-00	No Longer Available	1
129	883928	O-RING	5
130	898322	CYLINDER RING	1
131	906442	BUMPER	1
132	907886	PRESS RING	1
200	A08368	SS/A TRIGGER VALVE K	1
201	897340	O-RING	5
202	897342	CAP	1
203	897341	O-RING	5
204	883936	O-RING	5
205	883937	TRIGGER VALVE	1
206	883938	O-RING	5
207	883939	PLUNGER SPRING	1
208	897346	PLUNGER	1
209	883848	O-RING	5
210	897347	VALVE	1
211	897374	PIN (3X12)	5
212	897349	PIN-SPRING	2
213	908868	PIN	1
214	890725	URETHANE RETAINER	1
215	884404	ROLLED PIN	2
216	5140112-38	SELECTABLE TRIGGER	1
216	908019	SINGLE SEQUENTIAL TR	1

Parts List for FCP350 Type 1

Item Number	Part Number	Description	Qty Required
222	908093	SPRING	1
301	907888	HOUSING	1
302	904762	GASKET OF PAPER PULP	1
303	907889	END CAP	1
304	894752	BOLT	3
305	887077	1/4 MALE QUICK CP	1
306	886263	3/8 PROT COVER(AI	1
401	883930	GASKET	2
402	907890	NOSE PIECE	1
403	898333	BOLT	10
404	000000-00	No Longer Available	1
405	907892	PUSHER	1
406	897431	SPRING	1
407	907893	NUT	4
408	907894	COVER	2
409	884532	BOLT	10
410	907895	SPRING	1
411	883882	LOCK NUT	5
412	883999	BOLT	10
413	907896	CHANNEL	1
414	907897	STOP PLATE	1
415	907898	COVER	1
416	897440	BOLT	5
417	886260	BOLT	2
418	907899	BRACKET	1
419	886105	LOCKNUT	2
420	908784	SCREW	1

Parts List for FCP350 Type 1

Item Number	Part Number	Description	Qty Required
421	897438	WASHER	10
422	908785	KNOB	1
423	000000-00	No Longer Available	1
424	883884	ROLLED PIN	2
425	907900	SAFETY SPRING	1
426	907901	SAFETY B	1
427	907902	THUMB WHEEL	1
428	907903	SPRING COVER	1
429	907910	M5 HEX SKT HD SCREW	10
430	907904	SAFETY A	1
431	907905	E-RING	4
432	897384	NOSE CUSHION	1
433	886070	ROLLED PIN	2
434	907906	PIN	4
435	886440	ROLLING ELEMENT	1
436	897359	RETAINING RING	1
437	907907	RING	1
438	890724	PIN	4
439	909202	PIN	1
856	60091	OVERHAUL KIT	1
856	906427	OVERHAUL KIT	1