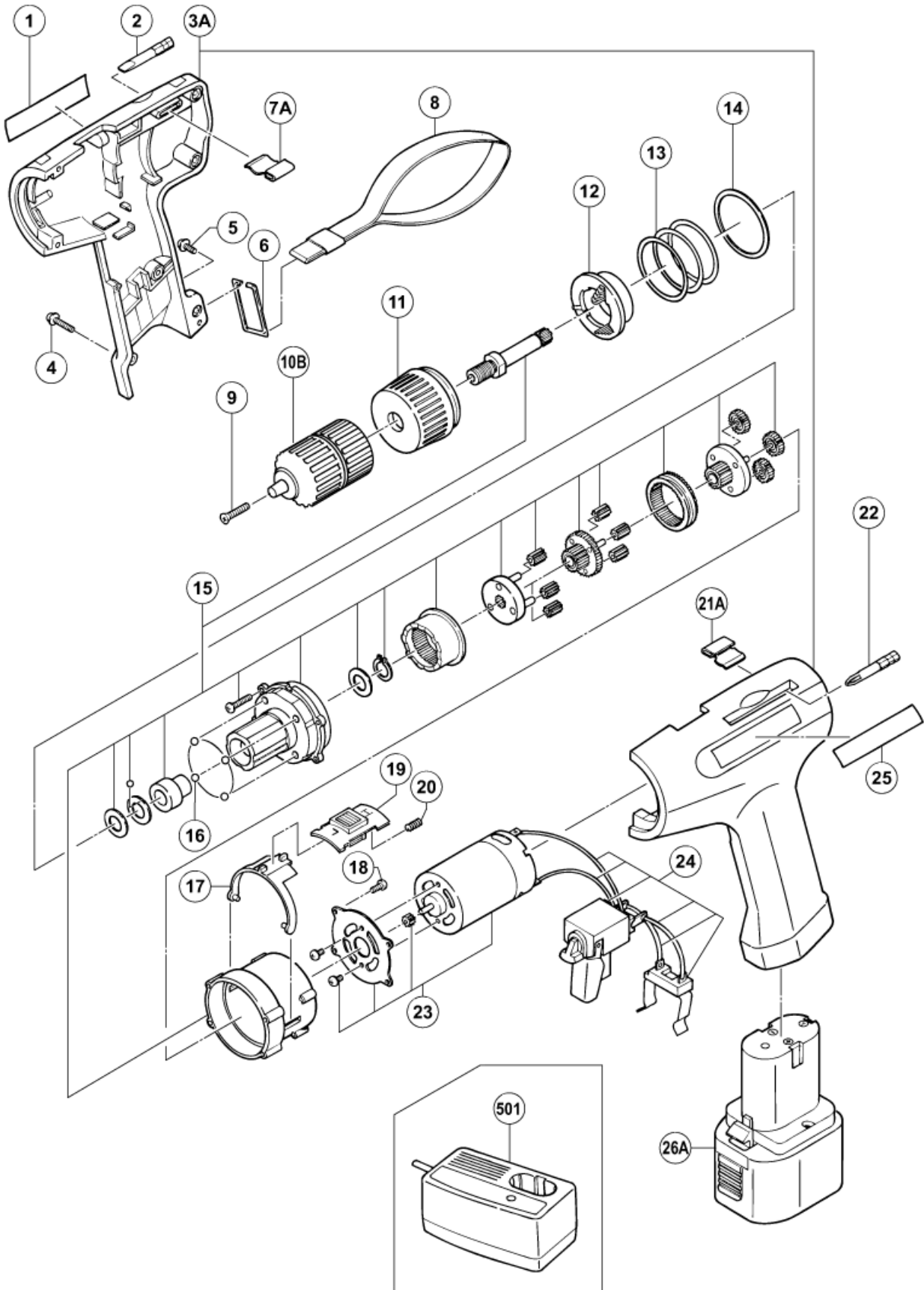


Item #	Descriptions	QTY
1	NAME PLATE	1
2	308511 - DRIVER BIT 4MMX50L	1
3A	309618 HOUSING (A).(B) SET	1
4	309614 TAPPING SCREW (W/FLANGE) D3X14	6
5	309615 TAPPING SCREW (W/FLANGE) D3X6	1
6	309616 HOOK	1
7A	309611 BIT HOLDER (B)	1
8	309617 STRAP	1
9	980836 FLAT HD. SCREW (LEFT HAND) M5X20	1
10B	323250 DRILL CHUCK 10TLRK-N (W/O CHUCK WRENCH)	1
11	309599 CAP	1
12	309600 SPRING HOLDER	1
13	309601 SPRING	1
14	309602 THRUST PLATE	1
15	309604 SPINDLE AND GEAR SET	1
16	309603 STEEL BALL	4
17	309607 SHIFT ARM	1
18	309606 TAPPING SCREW D3X8	4
19	309608 SHIFT KNOB	1
20	309609 SHIFT SPRING	1
21A	309612 BIT HOLDER (A)	1
22	308510 + DRIVER BIT NO.2X50L	1
23	309605 MOTOR	1
24	309610 SWITCH	1
25	HITACHI LABEL	1
26A	329846 BATTERY EB 714S (ASIA)	1
501	CHAGER (MODEL UC 7SC)	1
540A	314972 FUSE (6.3A/250V)	1



Rev.1

形名
FDS10DT