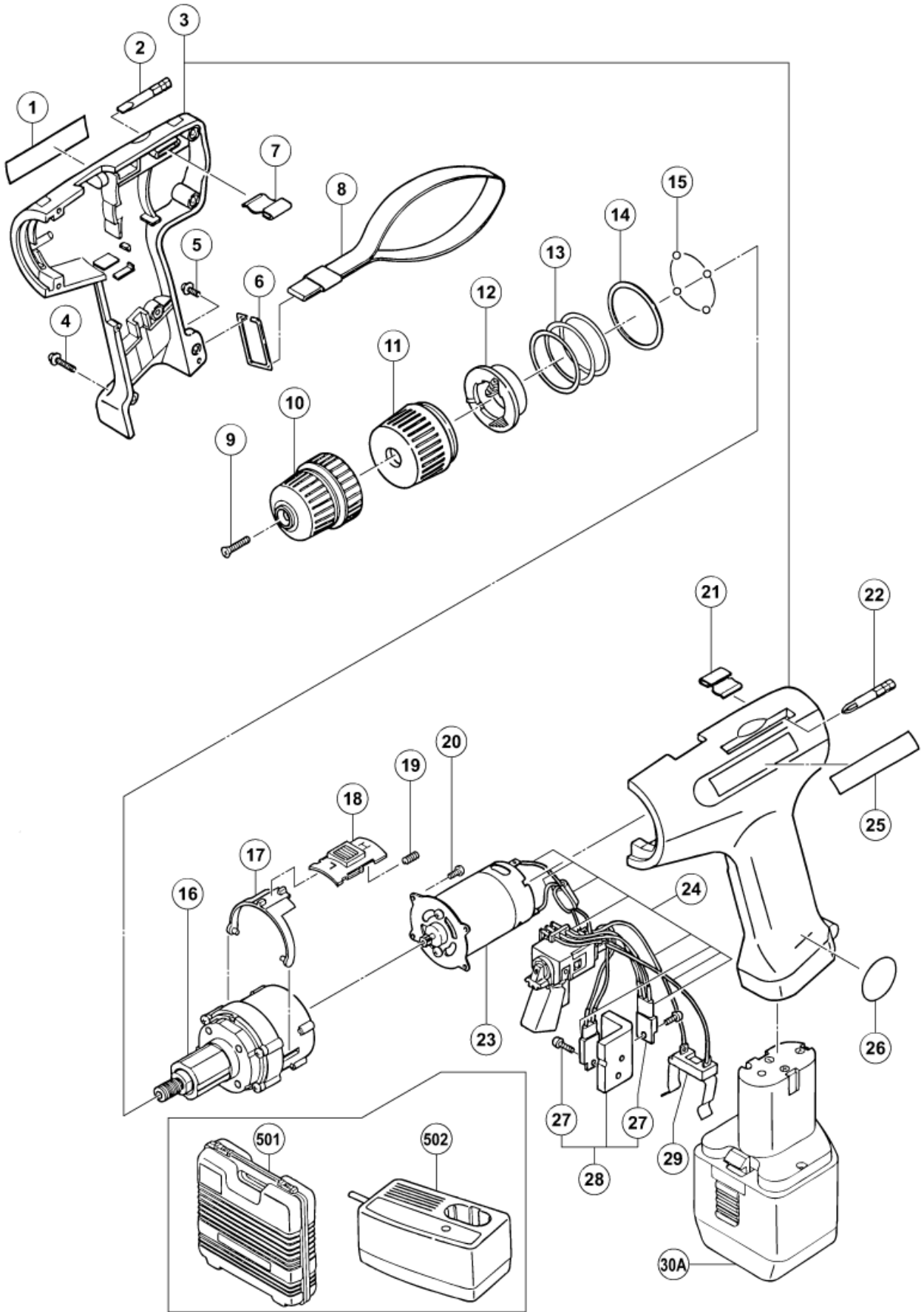


| Item # | Descriptions | QTY |
|--------|--|-----|
| 1 | NAME PLATE | 1 |
| 2 | 308511 - DRIVER BIT 4MMX50L | 1 |
| 3 | 314729 HOUSING (A).(B) SET | 1 |
| 4 | 309614 TAPPING SCREW (W/FLANGE) D3X14 | 6 |
| 5 | 309615 TAPPING SCREW (W/FLANGE) D3X6 | 1 |
| 6 | 309616 HOOK | 1 |
| 7 | 309611 BIT HOLDER (B) | 1 |
| 8 | 309617 STRAP | 1 |
| 9 | 980836 FLAT HD. SCREW (LEFT HAND) M5X20 | 1 |
| 10A | 323250 DRILL CHUCK 10TLRK-N (W/O CHUCK WRENCH) | 1 |
| 11 | 309599 CAP | 1 |
| 12 | 309600 SPRING HOLDER | 1 |
| 13 | 309601 SPRING | 1 |
| 14 | 309602 THRUST PLATE | 1 |
| 15 | 309603 STEEL BALL | 4 |
| 16 | 309604 SPINDLE AND GEAR SET | 1 |
| 17 | 309607 SHIFT ARM | 1 |
| 18 | 309608 SHIFT KNOB | 1 |
| 19 | 309609 SHIFT SPRING | 1 |
| 20 | 309606 TAPPING SCREW D3X8 | 4 |
| 21 | 309612 BIT HOLDER (A) | 1 |
| 22 | 308510 + DRIVER BIT NO.2X50L | 1 |
| 23 | 309605 MOTOR | 1 |
| 24 | 310155 SWITCH (1P SOLDER TYPE) | 1 |
| 25 | HITACHI LABEL | 1 |
| 26 | MARK PL/ | 1 |
| 27 | FT SCREW M3X10 | 2 |
| 28 | 310156 FIN ASSY | 1 |
| 29 | 310157 TERMINAL | 1 |
| 30A | 329846 BATTERY EB 714S (ASIA) | 1 |
| 501 | 309926 CASE | 1 |
| 502 | CHARGE F | 1 |
| 540A | 314972 FUSE (6.3A/250V) | 1 |



Rev.1

形名
FDS7DV