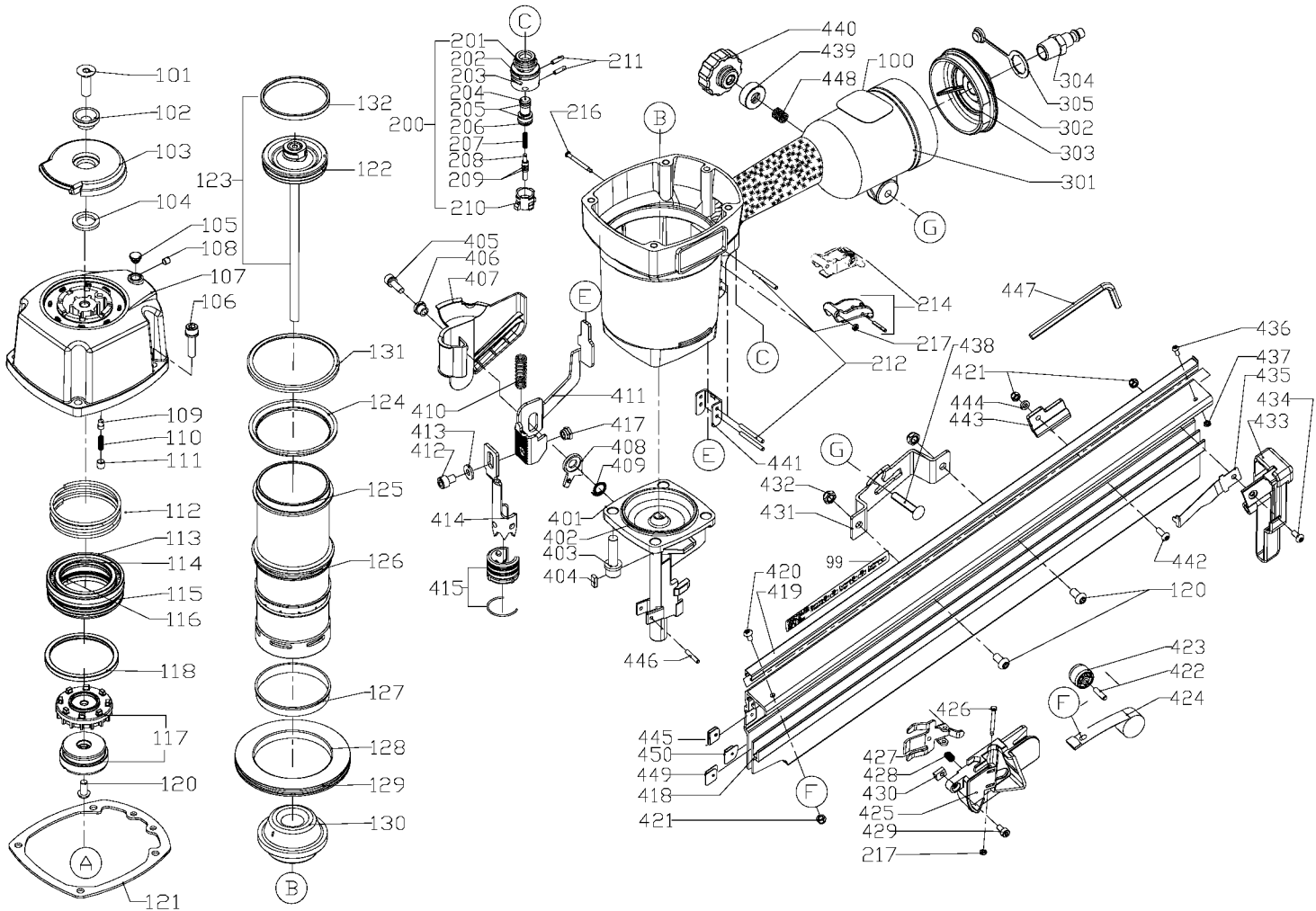


# PORTER-CABLE

## ROUND HEAD FRAMING NAILER

# FR350MAG

**WARNING:** Repairs should only be attempted by trained repairmen. Contact the nearest Porter-Cable Service Center or other competent repair center.



## Parts List for FR350MAG Type 2

Item Number	Part Number	Description	Qty Required
99	903333	LABEL	1
99	903333	LABEL	1
100	904673	WARNING LABEL	1
101	886431	SCREW T2	1
102	897315	BUSHING	1
103	897316	DEFLECTOR	1
104	897317	RUBBER PAD	1
105	886148	GROMMET	1
106	897318	BOLT	1
107	897319	CAP ASSY.	1
108	883912	SET SCREW	1
109	897320	BALL	1
110	883939	PLUNGER SPRING	1
111	897322	SCREW	1
112	A02163	SPRING - HEAD VALVE	1
113	897324	PISTON	1
114	901368	QUAD RING	1
115	897325	O-RING	1
116	901367	D-RING	1
117	901372	VALVE	1
118	897328	COLLAR	1
120	886260	BOLT	1
121	897331	GASKET	1
122	897332	O-RING	1
123	60067	DRIVER KIT	1
123	910226	DRIVER ASSY.	1
123	903781	DRIVER MAINT KIT	1

## Parts List for FR350MAG Type 2

Item Number	Part Number	Description	Qty Required
124	897334	CYLINDER-RING PRESS	1
125	897335	CYLINDER W/SLOT HOLE	1
126	897336	O-RING	1
127	897387	RING	1
128	897388	SPACER	1
129	897389	O-RING	1
130	897337	BUMPER	1
131	897338	SEAT-PRESS RING	1
132	908928	PISTON RING	1
200	A08368	SS/A TRIGGER VALVE K	1
201	897340	O-RING	1
202	897341	O-RING	1
203	897342	CAP	1
204	883937	TRIGGER VALVE	1
205	883936	O-RING	1
206	883938	O-RING	1
207	883939	PLUNGER SPRING	1
208	897346	PLUNGER	1
209	883848	O-RING	1
210	897347	VALVE	1
211	897374	PIN (3X12)	1
212	897349	PIN-SPRING	1
214	906400	SELECTABLE TRIGGER	1
214	908019	SINGLE SEQUENTIAL TR	1
216	897351	PIN	1
217	890725	URETHANE RETAINER	1
301	904941	SS/A HOUSING W/ SOFT	1

## Parts List for FR350MAG Type 2

Item Number	Part Number	Description	Qty Required
302	897354	O-RING	1
303	897355	END CAP	1
304	887077	1/4 MALE QUICK CP	1
305	887078	1/4 PROT CVR(AIR	1
401	897413	NOSE PIECE	1
401	897413	NOSE PIECE	1
402	897414	O-RING	1
403	894800	BOLT	1
404	897415	MAGNET	1
405	897416	BOLT	1
406	897417	BUSHING	1
407	897418	COVER	1
408	897419	MAGAZINE LOCKOUT	1
409	897420	SPRING	1
410	897421	SPRING	1
411	A08790	SAFETY B	1
411	A08790	SAFETY B	1
412	897381	BOLT	1
413	886077	LOCK WASHER	1
414	897423	SAFETY A	1
415	897384	NOSE CUSHION	1
417	897382	CLINCH NUT	1
418	897531	MAGAZINE ASSY.	1
419	897426	CHANNEL	1
420	883999	BOLT	1
421	883882	LOCK NUT	1
422	897427	PIN	1

## Parts List for FR350MAG Type 2

Item Number	Part Number	Description	Qty Required
423	886440	ROLLING ELEMENT	1
424	897428	SPRING	1
425	897429	COVER	1
426	890722	TRIGGER PIVOT PIN	1
427	897430	PUSHER	1
428	897431	SPRING	1
429	883866	BOLT	1
430	897432	NUT	1
431	897433	BRACKET	1
432	886105	LOCKNUT	1
433	897434	COVER	1
434	884001	BOLT	1
435	897435	STOP	1
436	897436	BOLT	1
437	886104	LOCK NUT	1
438	908784	SCREW	1
439	897438	WASHER	1
440	908785	KNOB	1
441	897378	SAFETY GUIDE	1
442	897440	BOLT	1
443	897441	WRENCH HOLDER	1
444	886078	LOCK WASHER	1
445	897442	CLIP	1
446	888808	ROLLED PIN	1
447	884299	HEX WRENCH (5MM)	1
448	897444	SPRING	1
449	901556	WEAR CLIP	1

## Parts List for FR350MAG Type 2

Item Number	Part Number	Description	Qty Required
450	901557	WEAR CLIP	1
800	884293	AIR TOOL OIL (18CC)	1
856	893579	SAFETY GLASSES	1
856	891903	HEX WRENCH 2.5MM	1
856	60066	OVERHAUL KIT	1
856	903780	OVERHAUL KIT	1
856	891902	HEX WRENCH	1
856	884300	HEX WRENCH	1
856	884298	HEX WRENCH (4MM)	1
856	884297	HEX WRENCH (3MM)	1