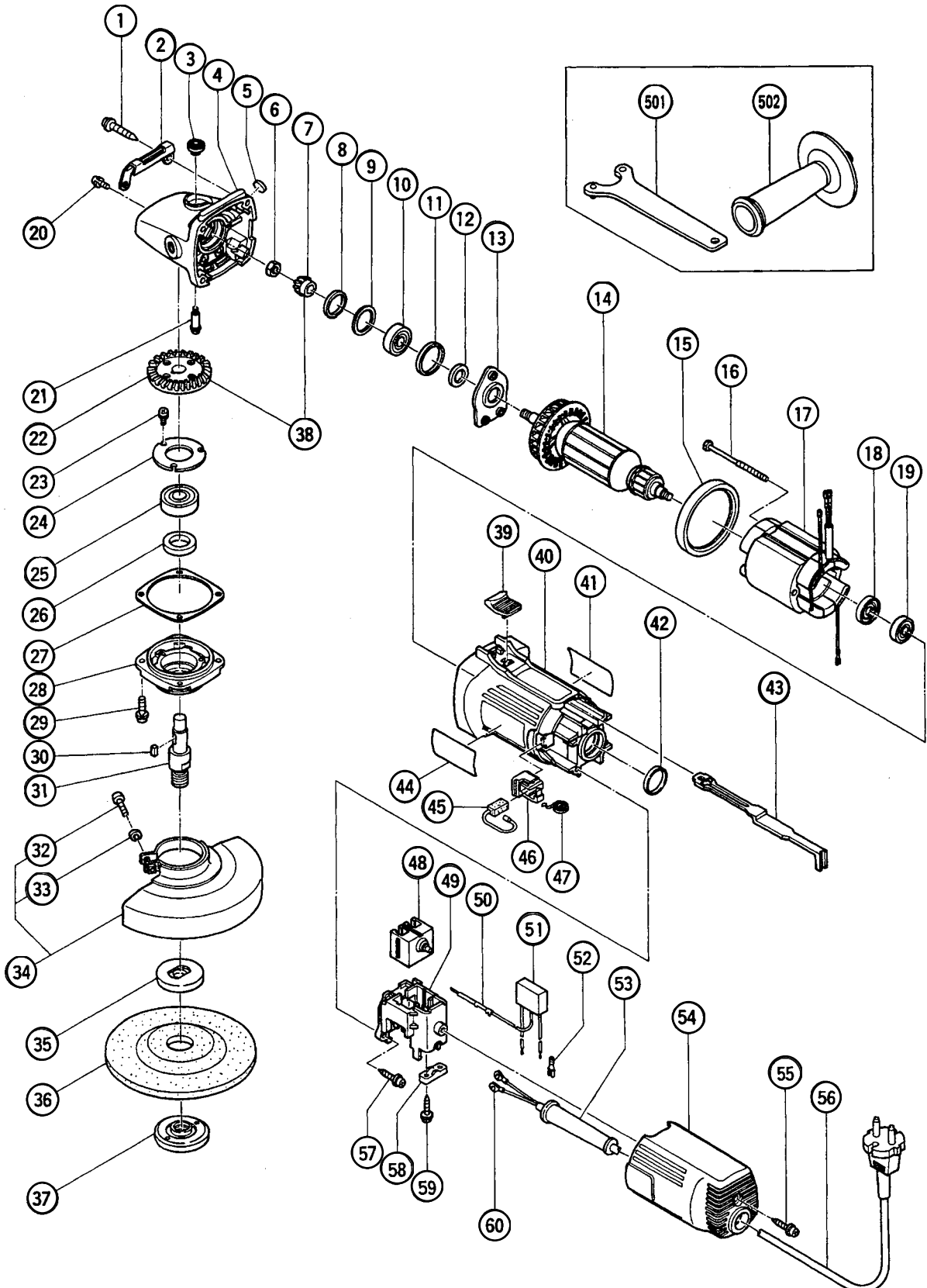


## ELECTRIC TOOL PARTS LIST

■ DISC GRINDER  
Model G 13SB2

2000.11.15  
(E1)



## PARTS

G 13SB2

ITEM NO.	CODE NO.	DESCRIPTION	NO. USED	REMARKS	
1	937-807	TAPPING SCREW D5X25	4		
2	319-315	GUARD PLATE	1		
3	301-944	PUSHING BUTTON	1		
4	308-542	GEAR COVER ASS'Y	1	INCLUD.3,5,21	
5	315-049	FELT WASHER	1		
6	301-941	SPECIAL NUT M7	1		
7	308-541	PINION	1		
8	308-543	SEAL RING (A)	1		
9	980-866	WASHER (C)	1		
10	629-T12	BALL BEARING 629T12DDC3PS2-L	1		
11	957-754	RUBBER RING	1		
12	994-320	FELT	1		
13	308-538	BEARING COVER	1		
*	14	360-541C	ARMATURE 110V	1	
*	14	360-541E	ARMATURE 230V	1	
15	308-537	FAN GUIDE	1		
16	982-021	HEX. HD. TAPPING SCREW D4X70	2		
*	17	340-485C	STATOR 110V	1	
*	17	340-485E	STATOR 230V	1	
18	315-877	DUST SEAL	1		
19	608-VVM	BALL BEARING 608VVC2PS2L	1		
20	303-255	SEAL LOCK SCREW (W/SP. WASHER) M4X10	3		
21	301-943	LOCK PIN	1		
22	308-540	GEAR	1		
23	991-207	SEAL LOCK SCREW (W/SP. WASHER) M4X8	3		
24	936-680	BEARING COVER (B)	1		
25	620-1DD	BALL BEARING 6201DDCMPS2L	1		
26	308-546	FELT PACKING	1		
27	308-547	SEAL PACKING	1		
28	308-545	PACKING GLAND	1		
29	307-046	SEAL LOCK SCREW (W/SP. WASHER) M5X16	4		
30	944-109	FEATHER KEY 3X3X8	1		
31	994-301	SPINDLE (A)	1		
32	949-241	MACHINE SCREW M5X20 (10 PCS.)	1		
33	949-454	SPRING WASHER M5 (10 PCS.)	1		
34	994-323	WHEEL GUARD ASS'Y	1	INCLUD.32,33	
35	937-817Z	WHEEL WASHER	1		
36	316-822	D. C. WHEELS 125MM A36Q (25 PCS.)	1		
37	994-324	WHEEL NUT M14	1		
38	308-539	GEAR ASS'Y	1	INCLUD.7,22	
39	314-428	SLIDE KNOB	1		
40	319-314	HOUSING	1		
*	41	NAME PLATE	1		
42	995-662	RUBBER RING	1		
43	319-317	SLIDE BAR	1		
*	44	HITACHI LABEL	1		
45	999-088	CARBON BRUSH (1 PAIR)	2		
46	317-810	BRUSH HOLDER	2		
47	308-536	SPRING	2		
48	319-319	PUSHING BUTTON SWITCH	1		
49	319-318	SWITCH HOLDER	1		

\* : ALTERNATIVE PARTS

11 - 00



