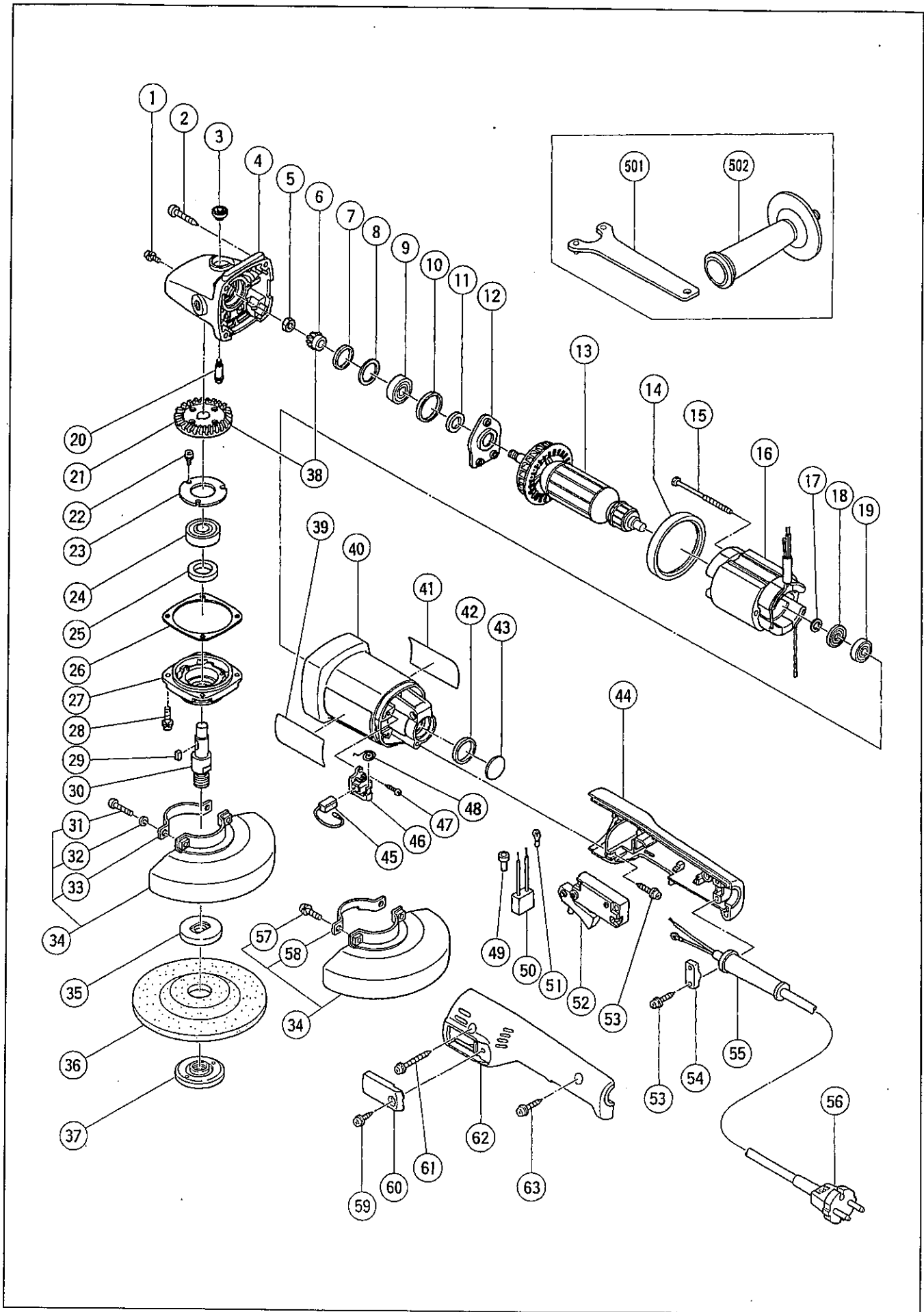


Assembly Diagram for G 13SP



PARTS

G 13SP

ITEM NO.	CODE NO.	DESCRIPTION	NO. USED	REMARKS	
1	303-255	SEAL LOCK SCREW (W/SP. WASHER) M4X10	3		
2	937-807	TAPPING SCREW D5X25	4		
3	301-944	PUSHING BUTTON	1		
4	308-542	GEAR COVER ASS'Y	1	INCLUD.3,20	
5	301-941	SPECIAL NUT M7	1		
6	308-541	PINION	1		
7	308-543	SEAL RING (A)	1		
8	980-866	WASHER (C)	1		
9	629-T12	BALL BEARING 629T12DDC3PS2 - L	1		
10	957-754	RUBBER RING	1		
11	994-320	FELT	1		
12	308-538	BEARING COVER	1		
*	13	360-375E	ARMATURE 220V - 240V	1	
*	13	360-375C	ARMATURE 110V	1	
14	308-537	FAN GUIDE	1		
15	982-021	HEX. HD. TAPPING SCREW D4X70	2		
*	16	340-366E	STATOR 220V	1	
*	16	340-366C	STATOR 110V	1	
17	311-737	THRUST WASHER	1		
18	311-435	DUST SEAL (A)	1		
19	608-VVM	BALL BEARING 608VVMC2EPS2L	1		
20	301-943	LOCK PIN	1		
21	308-540	GEAR	1		
22	991-207	SEAL LOCK SCREW (W/SP. WASHER) M4X8	1		
23	936-680	BEARING COVER (B)	1		
24	620-1DD	BALL BEARING 6201DDUCMAV2S	1		
25	308-546	FELT PACKING	1		
26	308-547	SEAL PACKING	1		
27	308-545	PACKING GLAND	1		
28	307-046	SEAL LOCK SCREW (W/SP. WASHER) M5X16	4		
29	944-109	FEATHER KEY 3X3X8	1		
*	30	994-301	SPINDLE (A)	1	
*	30	309-582	SPINDLE (B)	1	FOR THA
*	31	949-241	MACHINE SCREW M5X20. (10 PCS.)	2	
*	32	949-454	SPRING WASHER M5 (10 PCS.)	2	
*	33	938-302Z	SET PLATE (A)	1	
*	34	994-321	WHEEL GUARD ASS'Y	1	INCLUD.31 - 33
*	34	315-711	WHEEL GUARD ASS'Y	1	INCLUD.57,58 FOR TPE
*	35	937-817Z	WHEEL WASHER	1	
*	35	937-928Z	WHEEL WASHER (A) FOR D16 HOLE	1	FOR THA
36	938-300Z	D. C. WHEELS 125MM A36Q (10 PCS.)	1		
*	37	994-324	WHEEL NUT M14	1	
*	37	994-155	WHEEL NUT M16X2	1	FOR THA
38	308-539	GEAR ASS'Y	1	INCLUD.6,21	
39		HITACHI LABEL	1		
40	308-559	HOUSING	1		
41		NAME PLATE	1		
42	995-662	RUBBER RING	1		
43	313-274	PLATE	1		
44	313-275	HANDLE (A)	1		
45	999-088	CARBON BRUSH (1 PAIR)	2		

*: ALTERNATIVE PARTS

