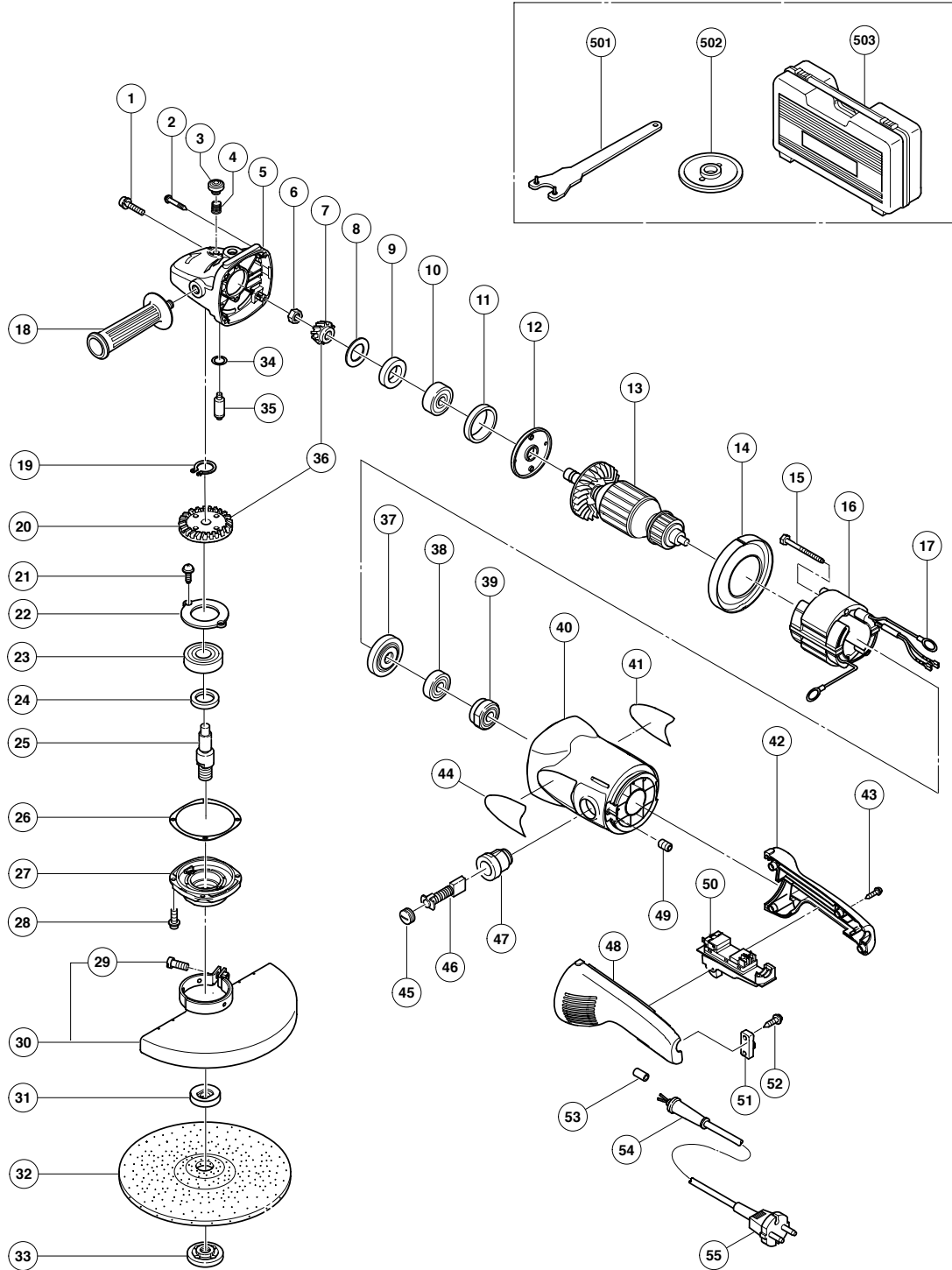


ELECTRIC TOOL PARTS LIST

DISC GRINDER
Model G 23SR

2006 · 4 · 14
(E1)



PARTS

G 23SR

ITEM NO.	CODE NO.	DESCRIPTION	NO. USED	REMARKS
1	315-636	SEAL LOCK SCREW (W/SP. WASHER) M5X14 (BLACK)	2	
2	323-209	TAPPING SCREW (W/FLANGE) D5X35 (BLACK)	4	
3	306-888	PUSHING BUTTON	1	
4	320-219	SPRING	1	
5	320-217	GEAR COVER ASS'Y	1	INCLUD. 3, 4, 34, 35
6	320-226	SPECIAL NUT M10	1	
7	320-243	PINION	1	
8	320-221	SEAL WASHER	1	
9	320-222	FELT PACKING	1	
10	630-1VV	BALL BEARING 6301VVCMP2L	1	
11	994-208	RUBBER RING (B)	1	
12	320-220	BEARING COVER (A)	1	
* 13	360-762U	ARMATURE 120V	1	
* 13	360-762E	ARMATURE 220V-240V	1	
14	320-215	FAN GUIDE	1	
15	961-501	HEX. HD. TAPPING SCREW D5X60	2	
* 16	340-664D	STATOR ASS'Y 120V	1	INCLUD. 17
* 16	340-664E	STATOR ASS'Y 220V-230V	1	INCLUD. 17
* 16	340-664F	STATOR ASS'Y 240V	1	INCLUD. 17
17	958-032	BRUSH TERMINAL	2	
18	937-981	SIDE HANDLE FOR M14	1	
19	939-542	RETAINING RING FOR D12 SHAFT (10 PCS.)	1	
20	320-224	GEAR	1	
21	949-236	MACHINE SCREW M5X10 (10 PCS.)	2	
22	320-229	BEARING COVER (B)	1	
23	630-2VV	BALL BEARING 6302VVCMP2L	1	
24	990-852	FELT PACKING (B)	1	
25	321-541	SPINDLE	1	
26	320-228	SEAL PLATE	1	
27	320-227	PACKING GLAND	1	
28	994-192	HEX. SOCKET HD. BOLT (W/FLANGE) M5X16	4	
29	949-656	HEX. SOCKET HD. BOLT M8X20 (10PCS)	2	
30	937-960Z	WHEEL GUARD	1	
* 31	937-922P	WHEEL WASHER (B) FOR D5/8"	1	FOR USA & CAN
32	316-825	D. C. WHEELS 230MM A24R (25 PCS.)	1	
33	937-923P	WHEEL NUT, 5/8" - 11UNC	1	
34	320-218	O-RING	1	
35	306-890	LOCK PIN	1	
36	320-241	GEAR AND PINION ASS'Y	1	INCLUD. 7, 20
37	320-216	DUST SEAL	1	
38	600-0VV	BALL BEARING 6000VVCMP2L	1	
39	321-536	BEARING BUSHING	1	
40	325-640	HOUSING	1	INCLUD. 39, 47, 49
41		HITACHI LABEL	1	
42	325-641	HANDLE (B)	1	
43	305-812	TAPPING SCREW (W/FLANGE) D4X16 (BLACK)	4	
44		NAME PLATE	1	
45	940-540	BRUSH CAP	2	
46	999-044	CARBON BRUSH (1 PAIR)	1	
46	999-074	CARBON BRUSH (AUTO STOP TYPE) (1 PAIR)	1	

STANDARD ACCESSORIES

G 23SR

ITEM NO.	CODE NO.	DESCRIPTION	NO. USED	REMARKS	
501	325-491	WRENCH	1		
* 502	937-917Z	WHEEL NUT (B)	1	FOR AUS	
* 503	326-175	CASE	1	FOR EUROPE	

OPTIONAL ACCESSORIES

ITEM NO.	CODE NO.	DESCRIPTION	NO. USED	REMARKS	
601	323-993	PIPE HANDLE SET	1	INCLUD. 602	
602	985-597	BOLT M14	2		
603	310-337	SUPER WASHER	1		