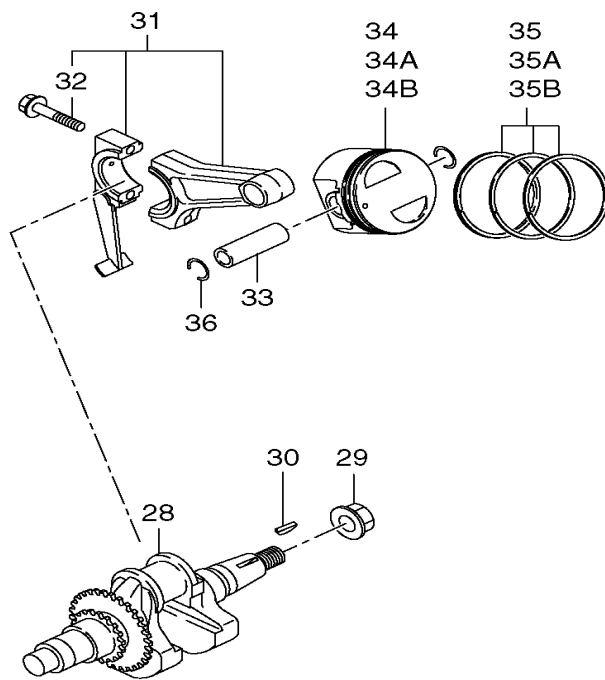
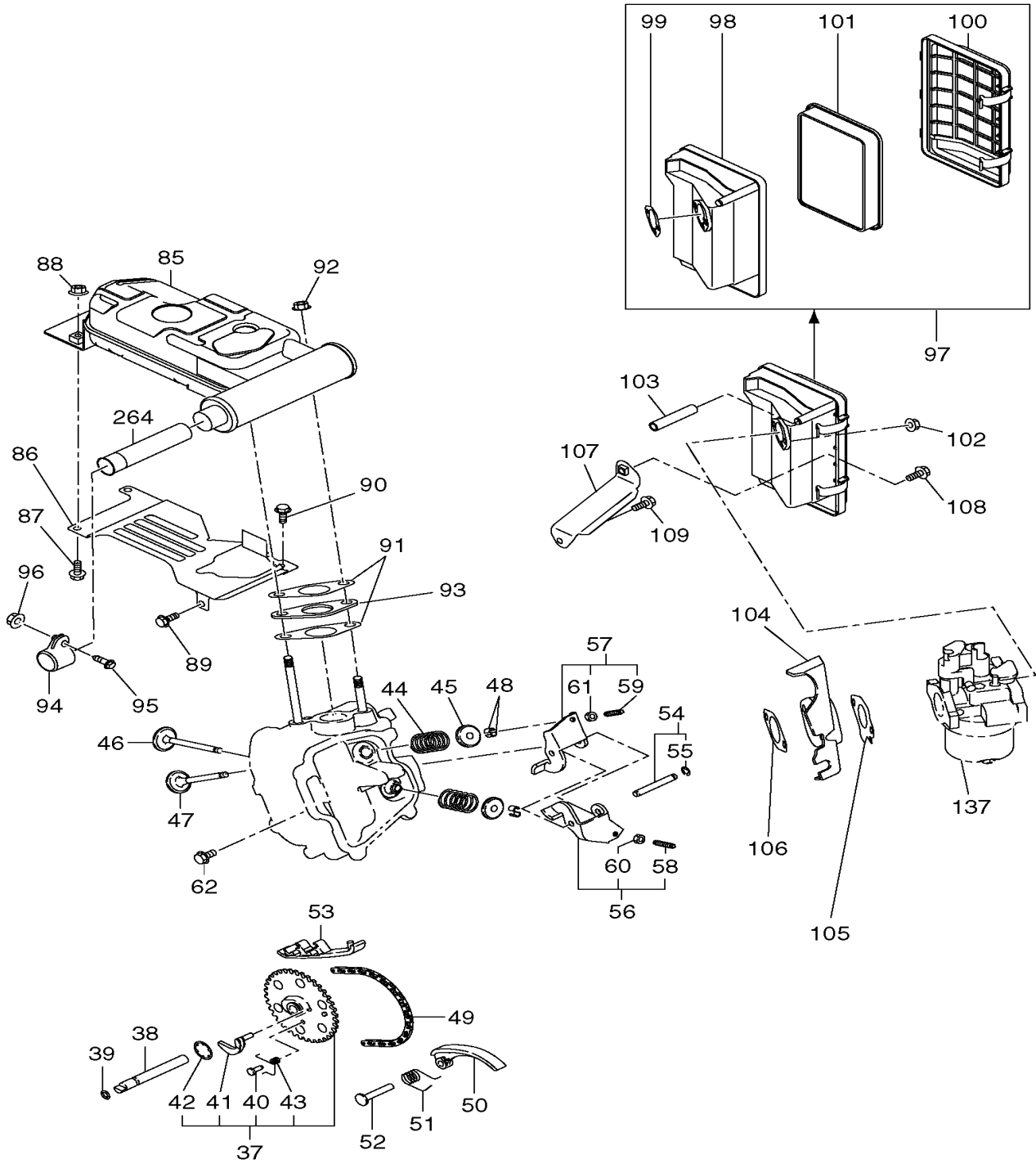
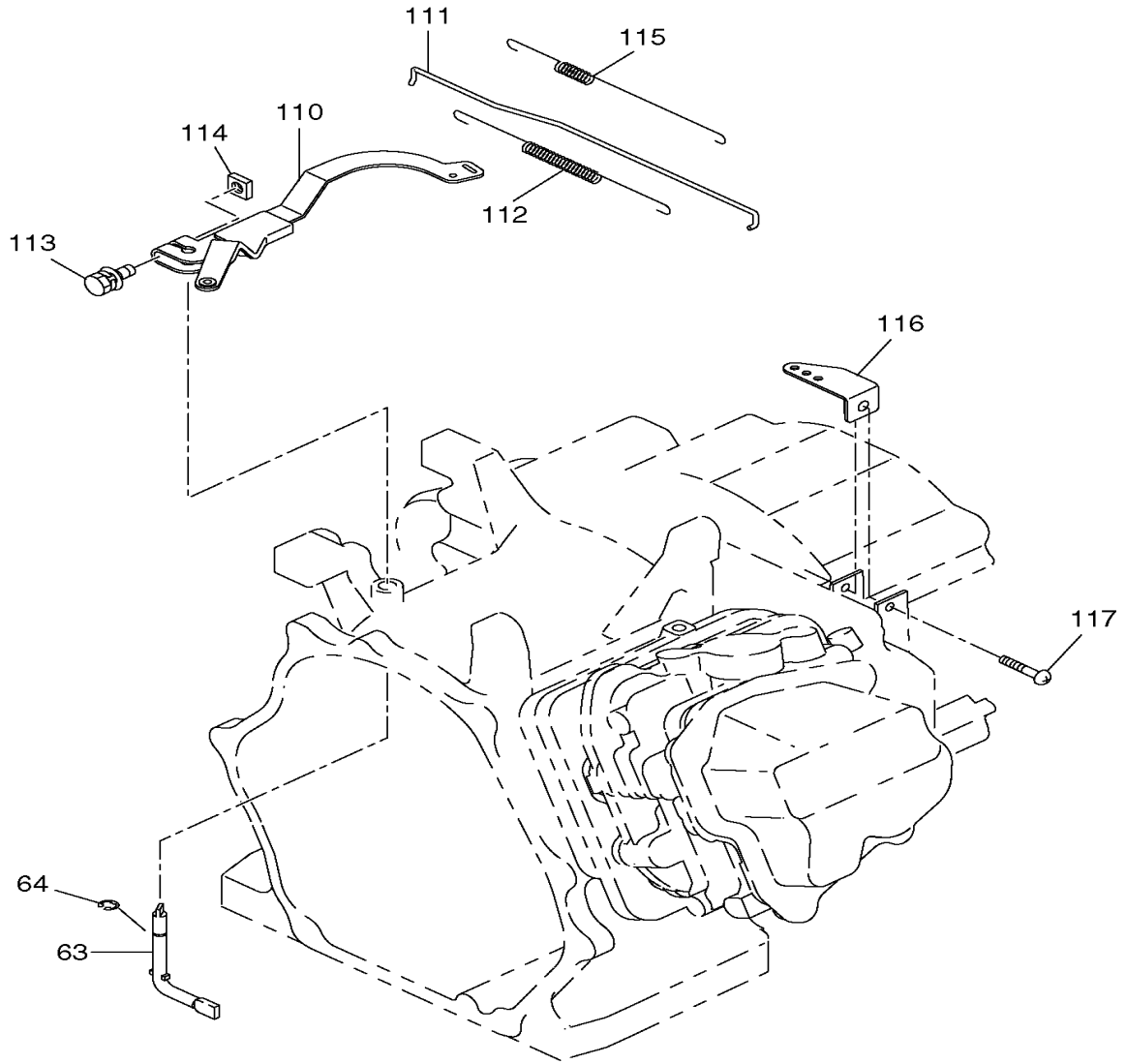
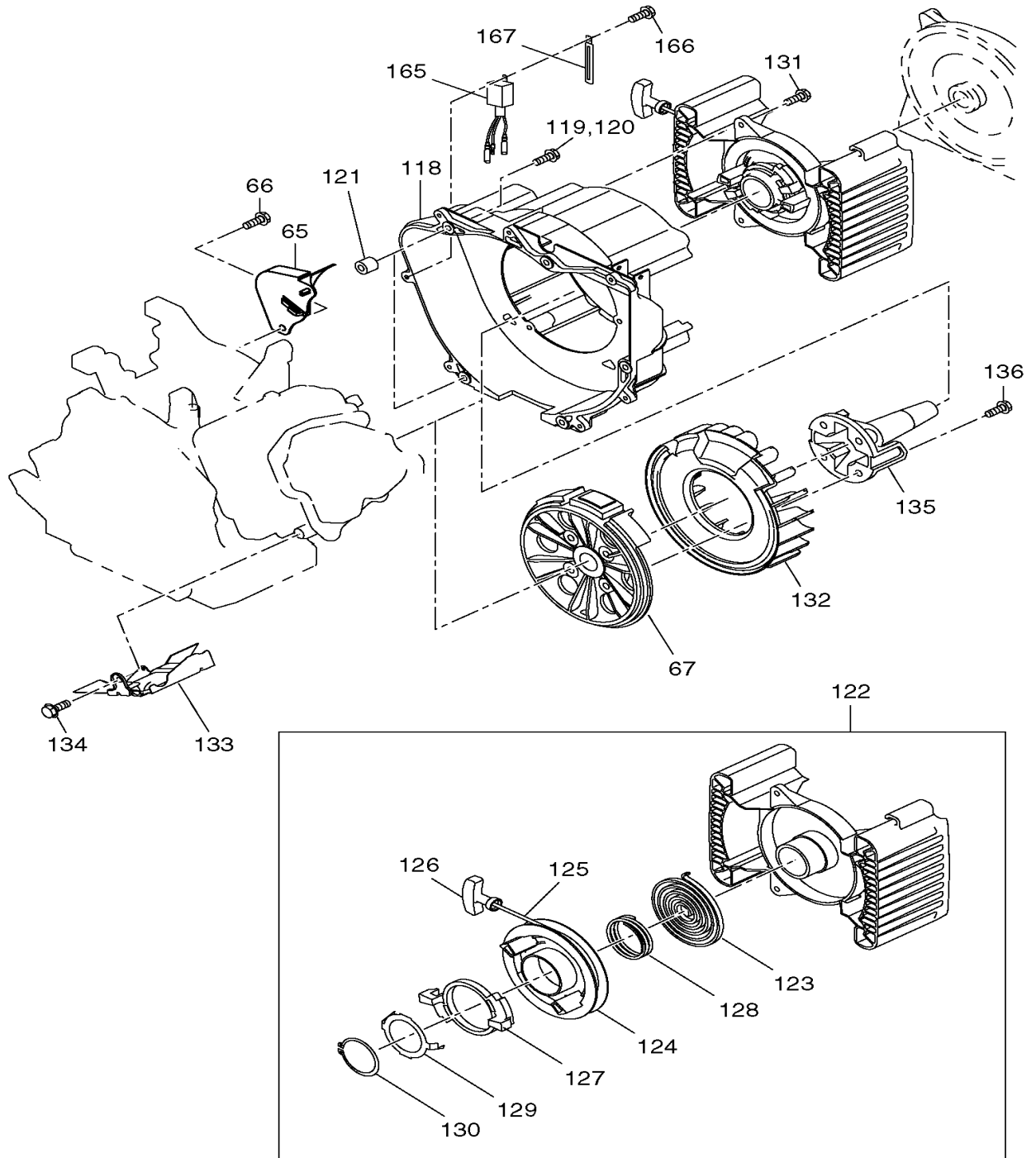


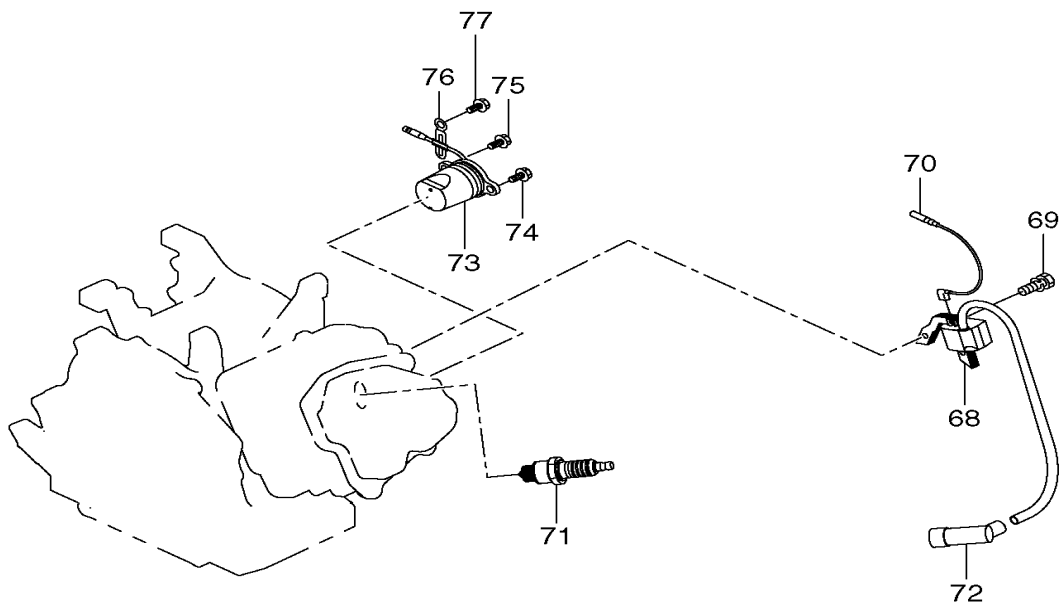
27—GASKET SET  
INC. 10.17.20.24.91  
105.106

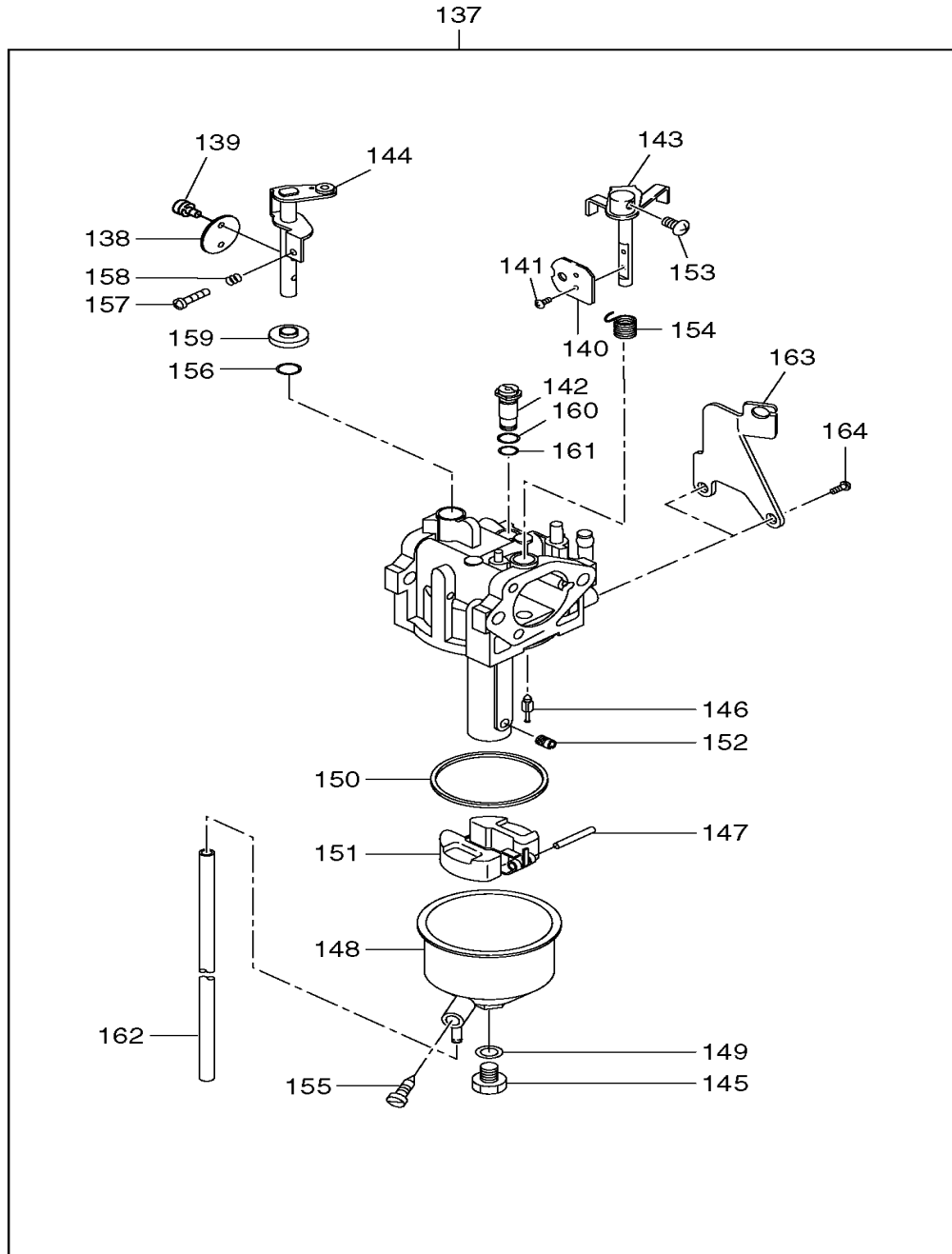


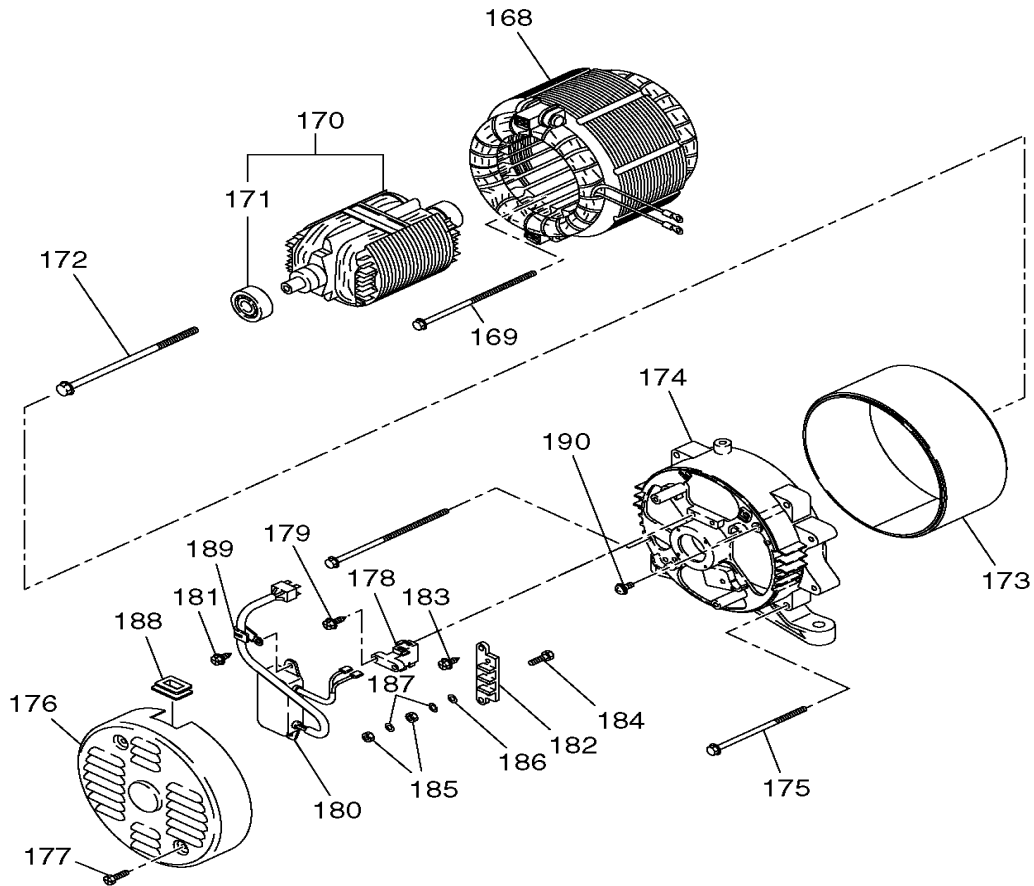




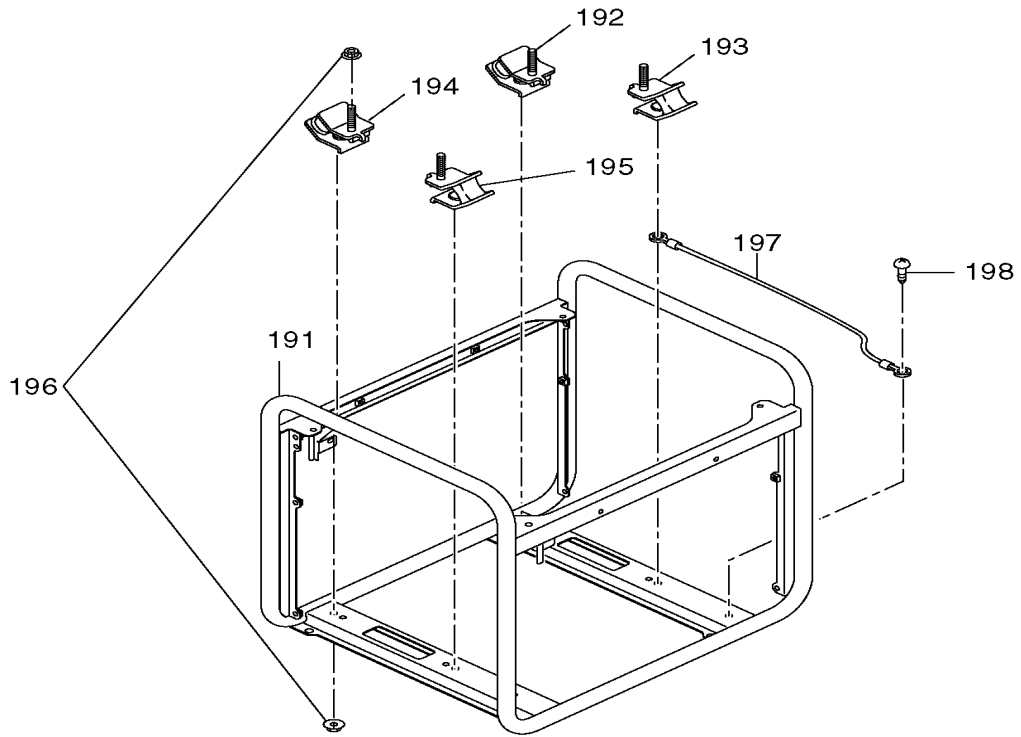


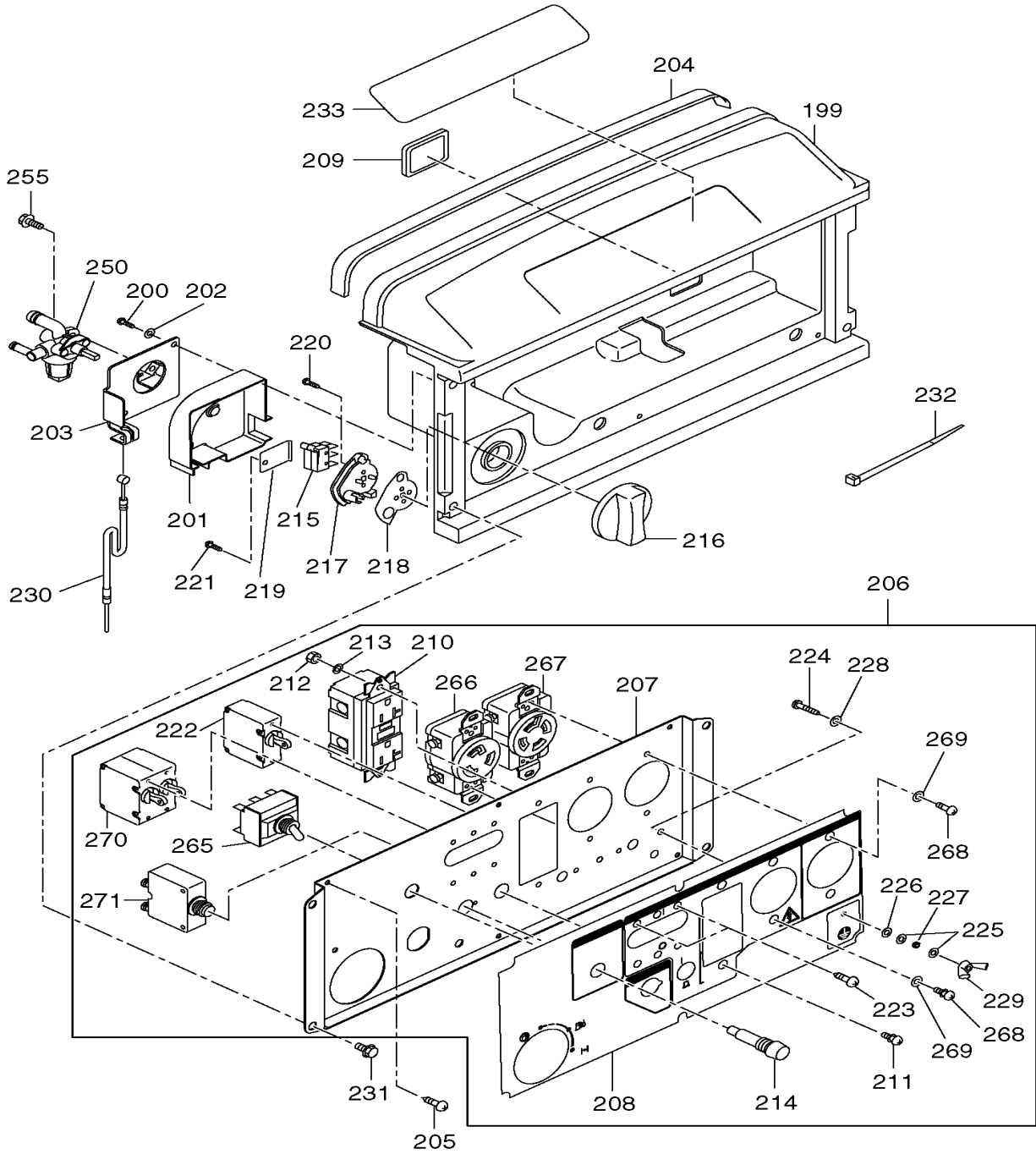


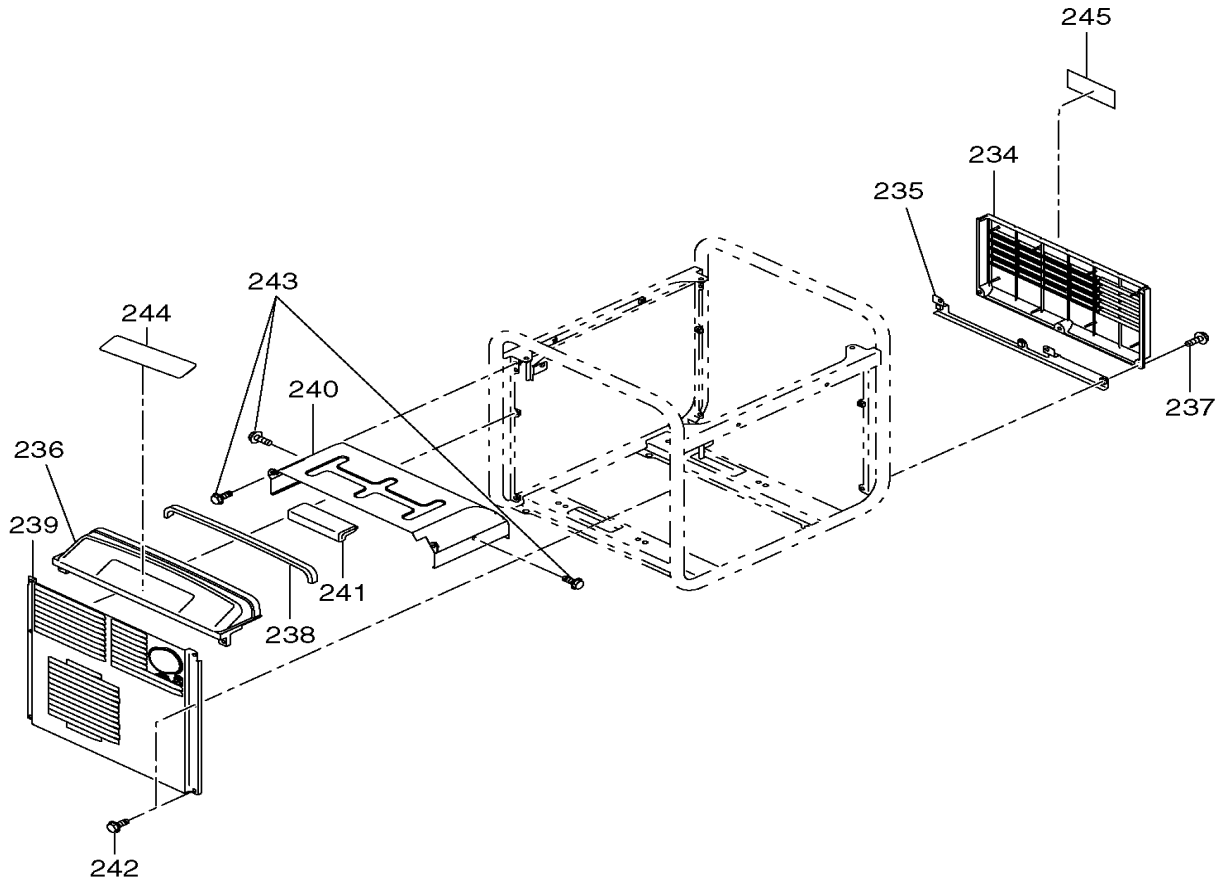


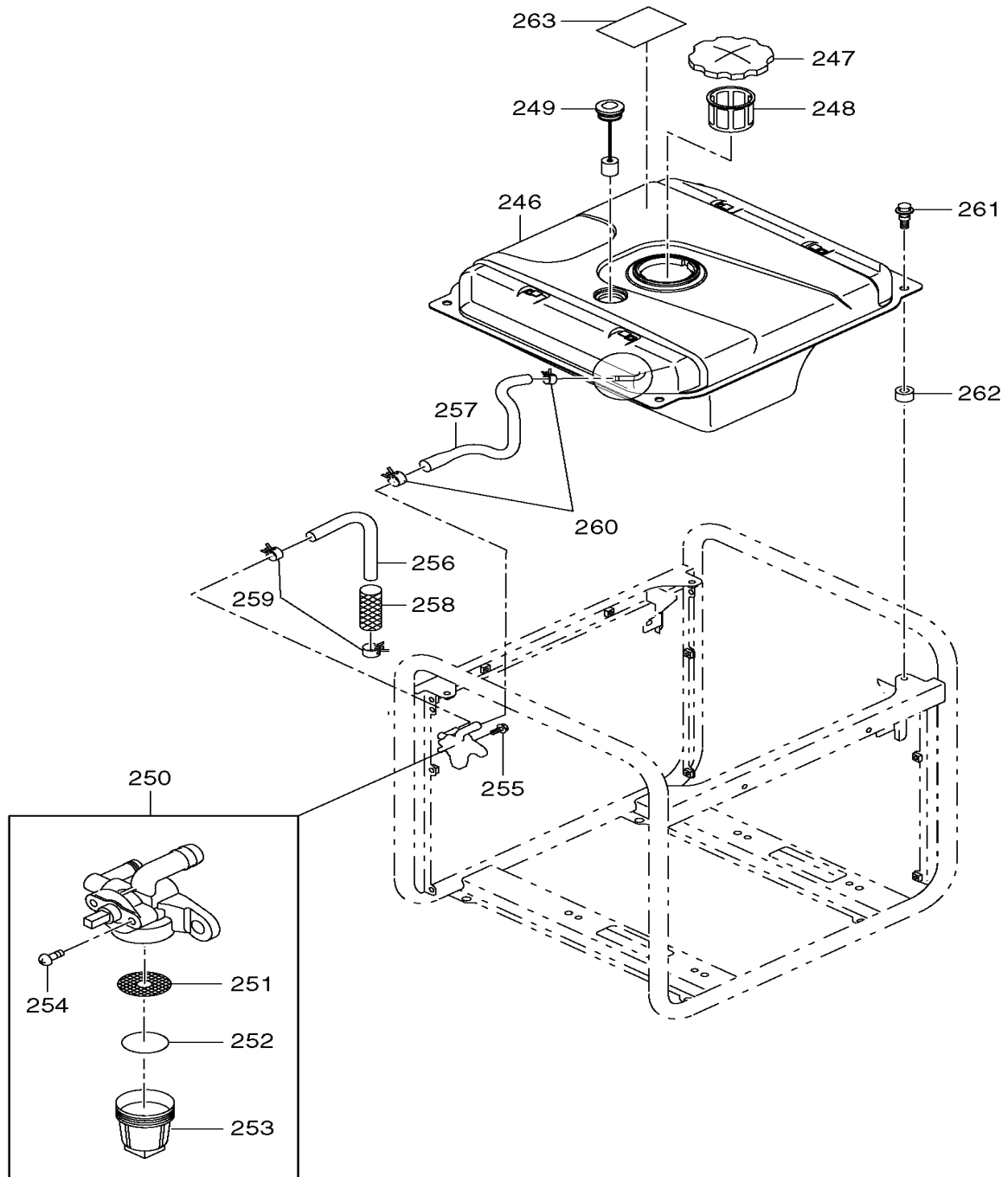


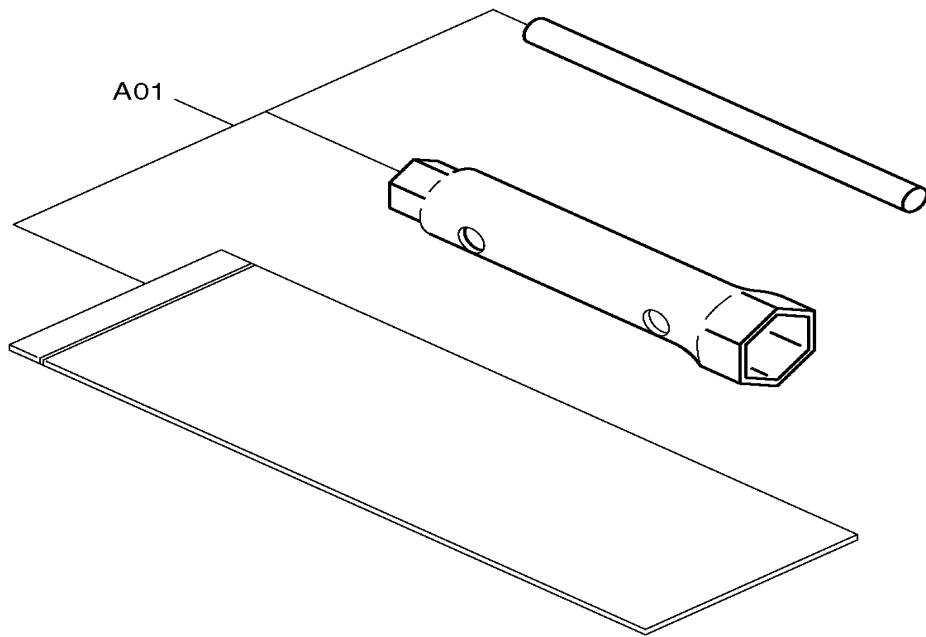














## Parts Breakdown

G4300L

*Products with multiple versions are listed in subsiding order with the newest version on top not indented*

<u>Fig #</u>	<u>Part ID</u>	<u>Part Name</u>	<u>Quantity</u>
1	279-10102-51	CRANKCASE CP.,G4300L	1
2	237-14202-03	VALVE GUIDE(OVER SIZE), G2800R	2
3	277-16010-01	STEM SEAL, G1100	1
4	044-03001-60	OIL SEAL. G4300L	1
5	060-03003-41	BALL BEARING, G4300L	1
6	277-15011-03	PIPE KNOCK, G1100	2
7	010-50604-10	STUD, G4300L	2
8	044-00600-20	OIL SEAL, G1100	1
9	040-11400-30	PLUG, G2800R	2
10	021-11400-20	GASKET, G2800R	2
11	279-11001-21	MAIN BEARING COVER CP.,G4300L	1
12	044-03001-60	OIL SEAL. G4300L	1
13	060-03003-70	BALL BEARING, G4300L	1
14	277-45004-H1	GOVERNOR GEAR CP.,G2800L	1
14	27745004J1	N/A	1
15	277-41901-03	GOVERNOR SLEEVE, G2800L	1
16	279-63601-13	OIL GAUGE, G4300L	2
16	279-63601-23	OIL GAUGE, G4300L	2
17	021-32000-50	GASKET, G4300L	2
18	001-04083-50	FLANGE BOLT, G2800L	7
19	279-13005-01	CYLINDER HEAD CP.,G4300L	1
20	2791500133	N/A	1
21	011-00802-40	FLANGE BOLT, G2800L	4
22	011-00803-10	FLANGE BOLT, G2800L	1
23	277-15501-01	ROCKER COVER CP.,G2800L	1
23	2771550301	N/A	1
24	277-16001-13	GASKET (ROCKER COVER), G2800L	1
25	277-15011-03	PIPE KNOCK, G1100	2
26	011-00600-20	FLANGE BOLT, G6100R	4
27	2799900127	N/A	1
28	279-20501-01	CRANKSHAFT CP.,G4300L	1
29	018-01800-10	FLANGE NUT, G4300L	1
30	032-30300-10	WOODRUFF KEY, 3X6MM, G2800R	1
31	279-22501-20	CONNECTING ROD AY, G4300L	1
31	2792250130	N/A	1
32	279-23001-03	CONNECTING ROD BOLT, G4300L	2
33	279-23301-03	PISTON PIN, G4300L	1
34	279-23401-03	PISTON STD., G4300L	1
34	279-23403-03	PISTON 0.25 O.S, G4300L	1
34	279-23404-03	PISTON 0.50 O.S, G4300L	1
35	279-23511-17	PISTON RING SET STD.,G4300L	1
35	279-23512-17	PISTON RING SET 0.25, G4300L	1
35	279-23513-17	PISTON RING SET 0.50,G4300L	1
36	056-51800-10	CLIP, G3510R	2
37	279-31602-11	CAM SHAFT CP., G4300L	1
38	2773510101	N/A	1
38	277-35101-03	PIN (CAM SHAFT), G2800L	1
39	024-00600-10	O RING , G2800L	1
40	277-38601-03	PIN (SPRING), G2800L	1
41	279-36401-03	RELEASE LEVER, G4300L	1
42	277-36501-03	CLIP, G2800L	1
43	279-38701-13	RETURN SPRING, G2800L	1
44	279-33601-03	VALVE SPRING, G2800L	2
45	269-33701-03	SPRING RETAINER, G2800L	2
46	279-33401-13	INTAKE VALVE, G4300L	1
46	27933401H3	N/A	1
47	279-33501-13	EXHAUST VALVE, G4300L	1
47	279-33501-H3	EXHAUST VALVE, G4300L	1
48	132-10KA0-31	COLLET VALVE, G2800R	4
49	279-35601-11	TIMING CHAIN CP., G4300L	1
50	277-36911-03	TENSIONER, G2800L	1
51	277-37101-03	SPRING (TENSIONER), G2800L	1
52	277-36902-03	PIN (TENSIONER), G2800L	1
53	277-36913-13	CHAIN GUIDE, G2800L	1



## Parts Breakdown

G4300L

54	277-35002-01	PIN (ROCKER)CP., G2800L	1
54	2773500401	N/A	1
55	003-13050-00	CLIP, G1100	1
56	277-36201-00	ROCKER ARM (IN)AY, G4300L	1
57	277-36202-00	ROCKER ARM (EX) AY, G2800L	1
58	014-90500-20	ADJUST SCREW M5, G2800L	1
59	014-90500-20	ADJUST SCREW M5, G2800L	1
60	017-00500-30	NUT, G2800L	1
61	017-00500-30	NUT, G2800L	1
62	011-00600-20	FLANGE BOLT, G6100R	1
63	277-42201-33	GOVERNOR SHAFT, G2800L	1
64	003-13050-00	CLIP, G1100	1
65	279-52711-11	BAFFLE 1 (CASE) CP.,G4300L	1
66	001-65081-20	HEX BOLT, G5711R	1
67	279-79262-01	FLYWHEEL CP.,G4300L	1
68	279-79430-01	IGNITION COIL CP.,G4300L	1
69	001-14062-50	BOLT & WASHER, G2800R	2
70	277-73102-H1	WIRE 2 CP., G2800L	1
71	065-01401-50	SPARK PLUG BR6HS, G2800R	1
72	065-50002-70	SPARK PLUG CAP, G2800L	1
73	279-76301-31	OIL SENSOR CP.,G4300L	1
73	279-76301-41	OIL LEVEL SENSOR, G4300L	1
73	2797630151	N/A	1
74	001-14061-60	BOLT & WASHER, G2800R	1
75	013-00602-60	BOLT & WASHER AY, G2800L	1
76	279-75501-03	WIRE CLAMP, G4300L	1
77	015-20600-50	TAPPING BOLT, G5710R	1
78	010-50802-90	STUD, G2800R	1
79	010-50804-40	STUD, G4300L	1
80	011-00801-50	FLANGE BOLT, G2800L	2
81	277-87001-03	COVER (CRANKSHAFT), G2800L	1
82	33D-35001-01	BOTTOM EXT. PLATE, G4300L	1
83	011-00802-70	FLANGE BOLT M8X33L, G4300L	2
84	011-00801-50	FLANGE BOLT, G2800L	2
85	279-30401-21	MUFFLER CP., G4300L	1
86	33D-52601-03	BAFFLE, G4300L	1
87	011-00802-70	FLANGE BOLT M8X33L, G4300L	2
88	002-38080-00	FLANGE NUT, G6100R	2
89	011-00803-20	FLANGE BOLT, G4300L	1
90	011-00600-10	FLANGE BOLT, G6100R	1
91	277-35201-13	GASKET (MUFFLER), G2800L	2
92	980-20082-80	FLANGE NUT, G2800L	2
93	279-39201-03	FLANGE, G4300L	1
94	27737210-03	TAIL SCREEN, G2800L	1
95	004-35051-60	SCREW, EH561	1
96	002-18050-00	NUT, RBC225	1
97	279-32622-00	AIR CLEANER AY., G4300L	1
97	2793262210	N/A	1
98	279-32635-08	CLEANER BODY CP., G4300L	1
98	279-32635-18	BASE CP., G4300L	1
99	279-32650-08	GASKET, G4300L	1
99	2793265018	N/A	1
100	279-32646-08	COVER CP., G4300L	1
101	279-32612-08	FILTER, G4300L	1
102	002-38060-00	FLANGE NUT, G6101R	2
103	085-10800-00	RUBBER PIPE, G2800R	1
104	279-32902-H3	INSULATOR, G4300L	1
104	279-32902-J1	INSULATOR CPL., G4300L	1
105	279-35902-J3	GASKET 1 (ISSULATOR), G4300L	1
106	279-35903-J3	GASKET 2 (INSULATOR), G4300L	1
107	279-39004-01	BRACKET (A/C) CP.,G4300L	1
108	011-00601-50	FLANGE BOLT, G2800L	1
109	011-00600-50	FLANGE BOLT, G5501R	1
110	279-42301-23	GOVERNOR LEVER, G4300L	1
110	2794230153	N/A	1
110	2794230160	N/A	1
110	2794230163	N/A	1



## Parts Breakdown

## G4300L

111	279-42701-01	GOVERNOR ROD CP.,G4300L	1
111	2794270111	N/A	1
112	277-42801-23	ROD SPRING, G2800L	1
113	013-00602-40	BOLT & WASHER AY, G2800L	1
114	018-60600-20	NUT, G2800R .	1
115	277-42520-03	GOVERNOR SPRING, G4300L	1
116	277-48001-01	PLATE CP.(S.ADJUST), G2800L	1
117	004-31055-50	SCREW, G2800L	1
118	279-52001-13	BLOWER HOUSING, G4300L	1
119	001-14063-00	BOLT & WASHER ASS'Y, G5710R	1
120	001-14066-00	BOLT & WASHER AY, G4300L	1
121	980-40081-10	STR PIN 8X10, G2800L	2
122	277-50401-10	RECOIL STARTER, G2800L	1
122	277-50401-20	RECOIL STARTER ASS'Y, G2800L	1
122	2775040130	N/A	1
122	2775040140	N/A	1
123	277-50402-08	SPIRAL SPRING, G2800L	1
124	277-50403-08	REEL, G2800L	1
125	277-50408-08	STARTER ROPE, G2800L	1
126	277-50409-08	STARTER KNOB, G2800L	1
126	2775040918	N/A	1
127	277-50404-08	RATCHET, G2800L	1
128	277-50405-08	FRICTION SPRING, G2800L	1
129	277-50407-08	FRICTION PLATE, G2800L	1
130	277-50406-08	RETAINING RING, G2800L	1
131	011-00601-40	FLANGE BOLT, G2410R	3
132	279-54110-03	COOLING BLOWER, G4300L	1
133	279-52702-13	BAFFLE 2 (HEAD) CP.,G4300L	1
134	011-00600-20	FLANGE BOLT, G6100R	1
135	277-24401-03	DRIVING SHAFT, G2800L	1
136	011-01001-10	FLANGE BOLT, G2800L	4
137	279-62331-00	CARBURETOR AY.,G4300L	1
138	279-62535-08	THROTTLE VALVE, G4300L	1
139	251-62450-08	SCREW, G4300L	2
140	279-62526-08	CHOKE VALVE, G4300L	1
141	251-62450-08	SCREW, G4300L	2
142	279-62420-08	PILOT JET, G4300L	1
143	279-62521-08	CHOKE LEVER, G4300L	1
144	279-62530-08	THROTTLE SHAFT-A, G4300L	1
145	251-62453-08	BOLT, G4300L	1
146	279-62500-08	VALVE ASS'Y, G1100	1
147	279-62515-08	PIN, G4300L	1
148	279-62553-08	FLOAT BODY, G4300L	1
149	251-62350-08	GASKET, G1100	1
150	279-62540-08	CHAMBER PACKING, G4300L	1
151	279-62505-08	FLOAT AY, G4300L	1
152	279-62400-08	MAIN JET, G4300L	1
153	284-62456-08	SCREW, G1100	1
154	279-62447-08	SPRING (CHOKE), G4300L	1
155	279-62581-08	SCREW, G4300L	1
156	279-62561-08	BUSH, G4300L	1
157	279-62353-18	ADJUST SCREW, G4300L	1
158	279-62445-08	SPRING, G1100	1
159	279-62562-08	COLLAR, G4300L	1
160	279-62452-08	O RING, G4300L	1
161	279-62451-08	O RING, G4300L	1
162	279-62590-08	VINYL PIPE, G4300L	1
163	279-62576-08	BRACKET, G4300L	1
164	279-62580-08	SCREW, G4300L	2
165	KU3-11043-11	FLOAT C/U CP3, G2800L	1
166	011-00600-20	FLANGE BOLT, G6100R	1
167	056-60002-50	CLAMP (ELEC STARTER),G2800R	1
168	33D-22352-01	STATOR AY, G4300L	1
169	33C-21052-08	BOLT M5X135L, G4300L	2
170	33D-21161-01	ROTOR, G4300L	1
171	32D-21001-08	BALL BEARING, G2800L	1
172	33D-21053-08	ROTOR BOLT M10X185L, G4300L	1





## Parts Breakdown

G4300L

173	33D-23061-01	STATOR COVER, G4300L	1
174	32D-23071-01	REAR COVER, G2800L	1
174	32D2307201	N/A	1
175	33D-21051-08	STARTOR BOLT, G4300L	4
176	33B-23051-01	END COVER, G2800L	1
177	33B-21052-08	BOLT M5X10L, G2800L	2
178	32D-23101-01	BRUSH CP., G2800L	1
179	32D-21062-08	SCREW, G2800L	1
180	33B-23001-00	AVR AY., G2800L	1
181	32D-21055-08	SCREW M5X14L, G2800L	2
182	32D-21052-08	BASE, G2800L	1
183	32D-21055-08	SCREW M5X14L, G2800L	2
184	32D-21061-08	BOLT, G2800L	2
185	32D-21051-08	NUT M5, G2800L	4
186	32D-21053-08	WASHER, G2800L	2
187	32D-21054-08	SPRING WASHER, G2800L	4
188	32B-45002-03	GROMMET, G2800L	1
189	32D-21060-08	CLAMP, G1100	1
190	32B-21053-08	SCREW, G1100	1
190	32D-21063-08	SCREW M5X12L, G4300L	1
191	33D-30001-11	FRAME CP.,G4300L	1
191	33D-30101-01	FRAME, G4300L	1
192	32B-30213-01	MOUNT CP.(R), G4300L	1
193	32B-30214-01	MOUNT CP.(L), G4300L	1
194	32B-30203-01	MOUNT CP.(R), G4300L	1
195	32B-30204-01	MOUNT CP.(L), G4300L	1
196	002-38080-00	FLANGE NUT, G6100R	8
197	33B-48091-01	EARTH WIRE CP.,G2800L	1
198	014-00601-21	SCREW, G2800L	1
199	33B-50002-01	FRONT COVER CP. (UPPER), G4300L	1
200	015-00400-70	TAPPING SCREW, G2800R	2
201	33B-46001-03	COVER (COCK), G2800L	1
202	003-10040-00	WASHER, G6101R	2
203	33B-46012-01	BRACKET (COCK), G2800L	1
203	33B-46012-11	BRACKET (COCK), G2800L	1
204	34B-57311-03	SEAL SPONGE FC2, G2800L	1
205	353-49904-08	TAPPING SCREW, G2800R	6
206	33D-43975-00	CONTROL PANEL AY.,G4300L	1
207	33B-45114-01	PANEL PLATE CP.,G4300L	1
208	33B-49264-03	SHEET (PANEL AR)2, G4300L	1
209	227-75001-03	GROMMET, G2800L	1
210	33K4995101	N/A	1
210	388-85003-01	AC RECEPTACLE (125V-20A),G6101R	1
211	004-35041-00	SCREW & WASHER, G2800R	2
212	002-27040-00	NUT, G2800L	2
213	003-10040-00	WASHER, G6101R	2
214	393-40665-08	NEON LAMP (GR.), G2800L	1
215	33K-41811-03	MICRO SWITCH, G1100	2
216	33K-42010-03	CONTROL DIAL, G1100	1
217	33K-42020-03	CHOKE REEL, G1100	1
218	33K-42030-13	PLATE, G2800L	1
218	33K-42030-23	PLATE, G2800L	1
219	33B-46015-01	BRACKET (MICRO), G2800L	1
220	33K-41814-08	TAPPING SCREW, G2800L	2
221	015-00400-70	TAPPING SCREW, G2800R	1
222	32B-43166-01	CIRCUIT BREAKER 30A, G4300L	1
223	31B-79011-03	SCREW & WASHER ASSY(M3X5MM)G12000R	6
224	388-88001-03	SCREW (M5), G5711R	1
225	332-00050-08	SPRING WASHER, G2800R	2
226	353-49903-08	WASHER, G2800R	1
227	353-49902-08	NUT, G2800R	1
228	003-30050-00	LOCK WASHER, G2800R	1
229	353-49901-08	WING NUT, G2800R	1
230	33B-46021-01	CHOKE WIRE CP.,G2800L	1
231	014-00601-90	SCREW, G2800L	4
232	056-30000-20	WIRE BAND, G2400R	5
233	33D-90011-13	LABEL (TRADE MARK),G4300L	1



## Parts Breakdown

**G4300L**

234	33B-50101-01	FRONT COVER CP.,G2800L	1
235	33B-35501-01	BRACKET (COVER) CP.,G2800L	1
236	33B-50501-01	REAR COVER CP.,G2800L	1
237	011-00601-80	FLANGE BOLT, G2410R	3
238	34B-57311-03	SEAL SPONGE FC2, G2800L	1
239	33B-56201-01	MUFFLER COVER CP.,G2800L	1
240	33D-56051-01	MUFFLER COVER(L)CP.,G4300L	1
241	33B-57005-03	SEAL RUBBER,G2800L	1
242	011-00601-80	FLANGE BOLT, G2410R	4
243	011-00600-80	FLANGE BOLT, G2400R	4
244	33B-97132-13	LABEL (TM-RC), G2800L	1
245	33D-95154-03	LABEL (SPEC), G4300L	1
246	33D-60102-11	FUEL TANK CP.,G4300L	1
247	043-05900-11	FUEL TANK CAP COMPL., G2800R	1
248	064-15400-11	FUEL FILTER, G6101R	1
249	064-80015-00	FUEL GAUGE COMPL. G12000R	1
250	064-20103-00	FUEL STRAINER, G2800L	1
251	064-20093-20	FILTER, G2800L	1
252	064-20064-10	RUBBER PACKING, G2800R	1
253	064-20078-10	CUP, G2800R	1
254	064-20047-90	P.H. SCREW, G2800R	2
255	011-00600-20	FLANGE BOLT, G6100R	1
256	085-10600-00	RUBBER PIPE, G2410R,1M	1
257	085-10700-40	RUBBER PIPE, G4300L	1
258	251-17302-03	MESH PROTECTOR, G2800L	1
259	056-11100-20	HOSE CLAMP, G2800R	2
260	056-11300-10	HOSE CLAMP, G1100	2
261	011-00602-20	FLANGE BOLT, G2800R	4
262	391-39000-13	RUBBER WASHER, G2800R	4
263	33B-97102-13	LABEL (CAUTION),G2800L	1
264	279-37601-01	SPARK ARRESTER CP.,G2800L	1
265	355-45613-11	SWITCH, G5500R	1
266	356-45711-08	AC RECEPTACLE, G3510R	1
267	353-45724-08	AC RECEPTACLE, G3510R	1
268	356-59937-08	SCREW, G3510R	4
269	326-00335-08	SPRING WASHER, G3510R	4
270	32B-43196-01	CIRCUIT BREAKER 16A, G4300L	1
271	31C-73008-03	CIRCUIT BREAKER 20A, G4300L	1
272	277-37220-03	SCREEN, G2800L	2
273	2264500103	N/A	1
1,001	27790301H0	ACCESSORY TOOL KIT, G2800L	1