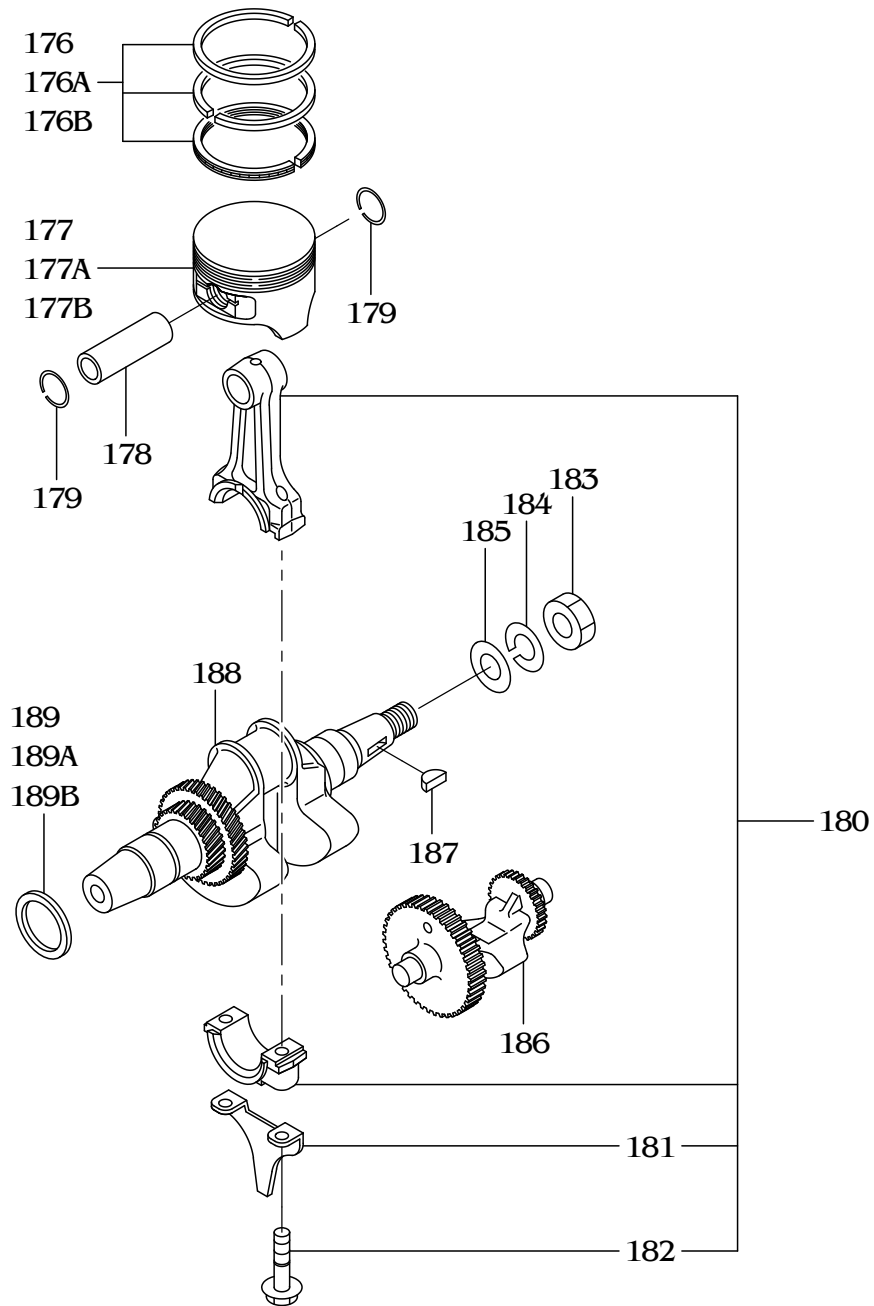
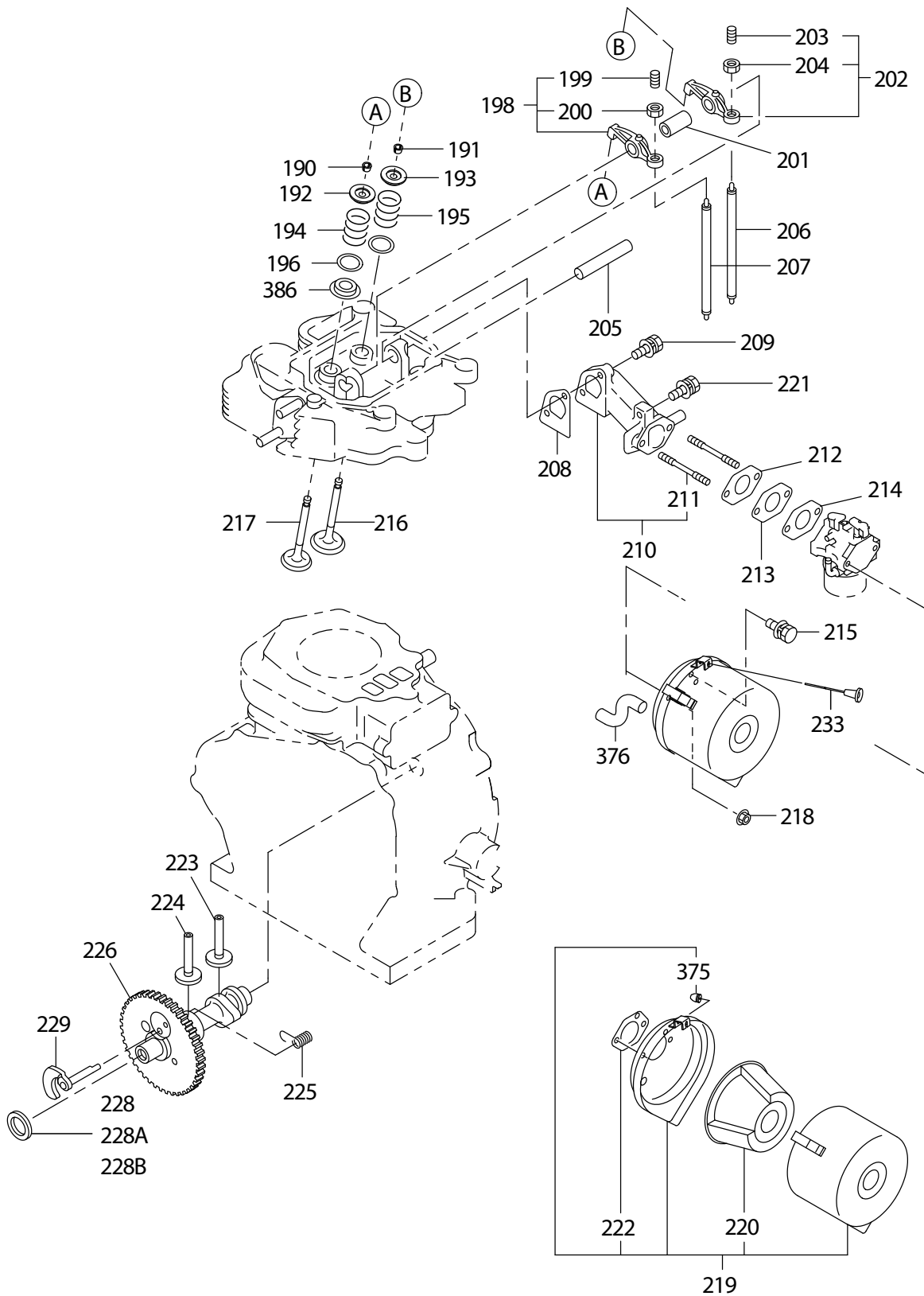
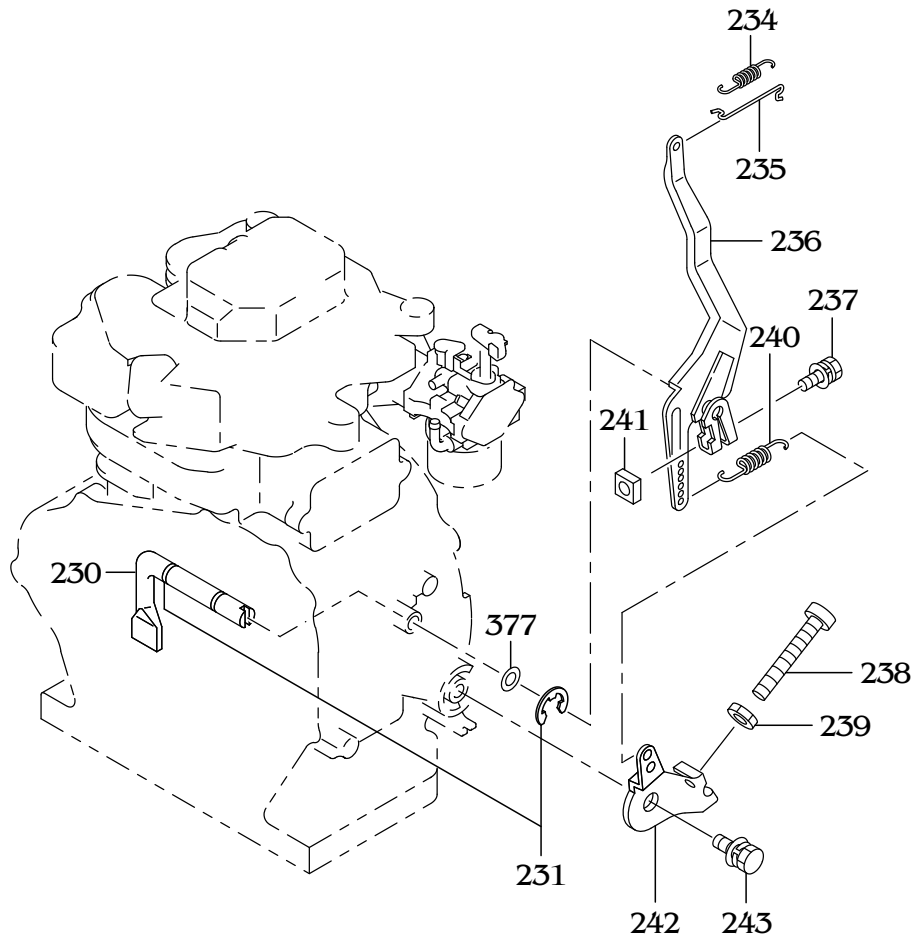
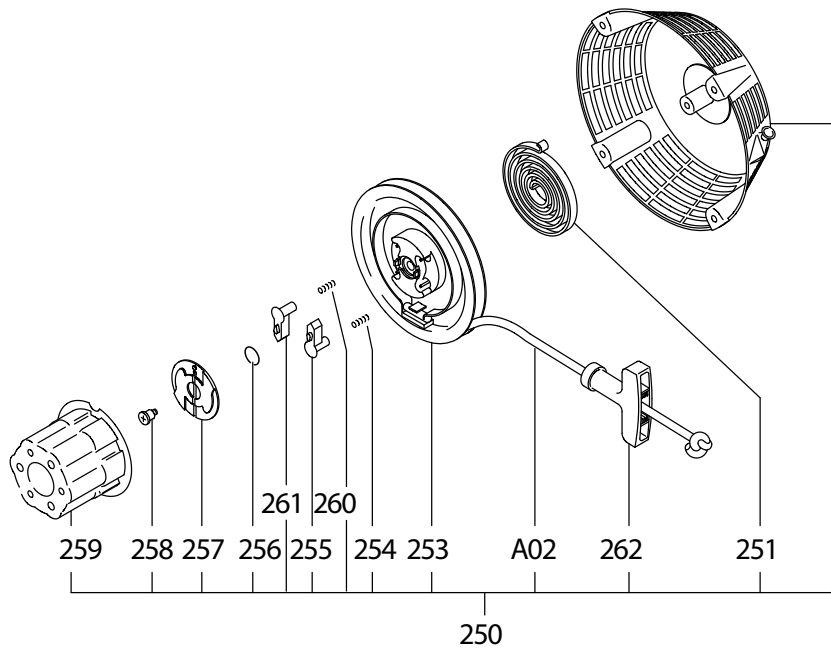
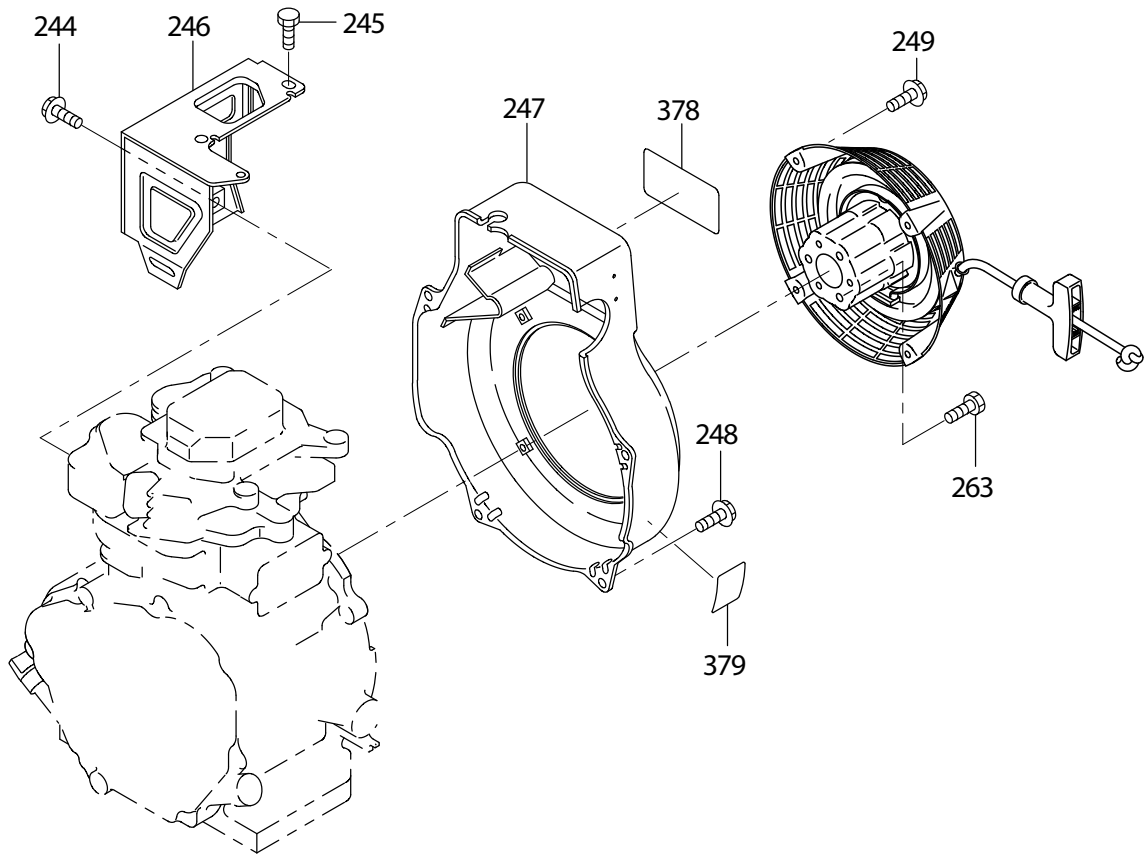


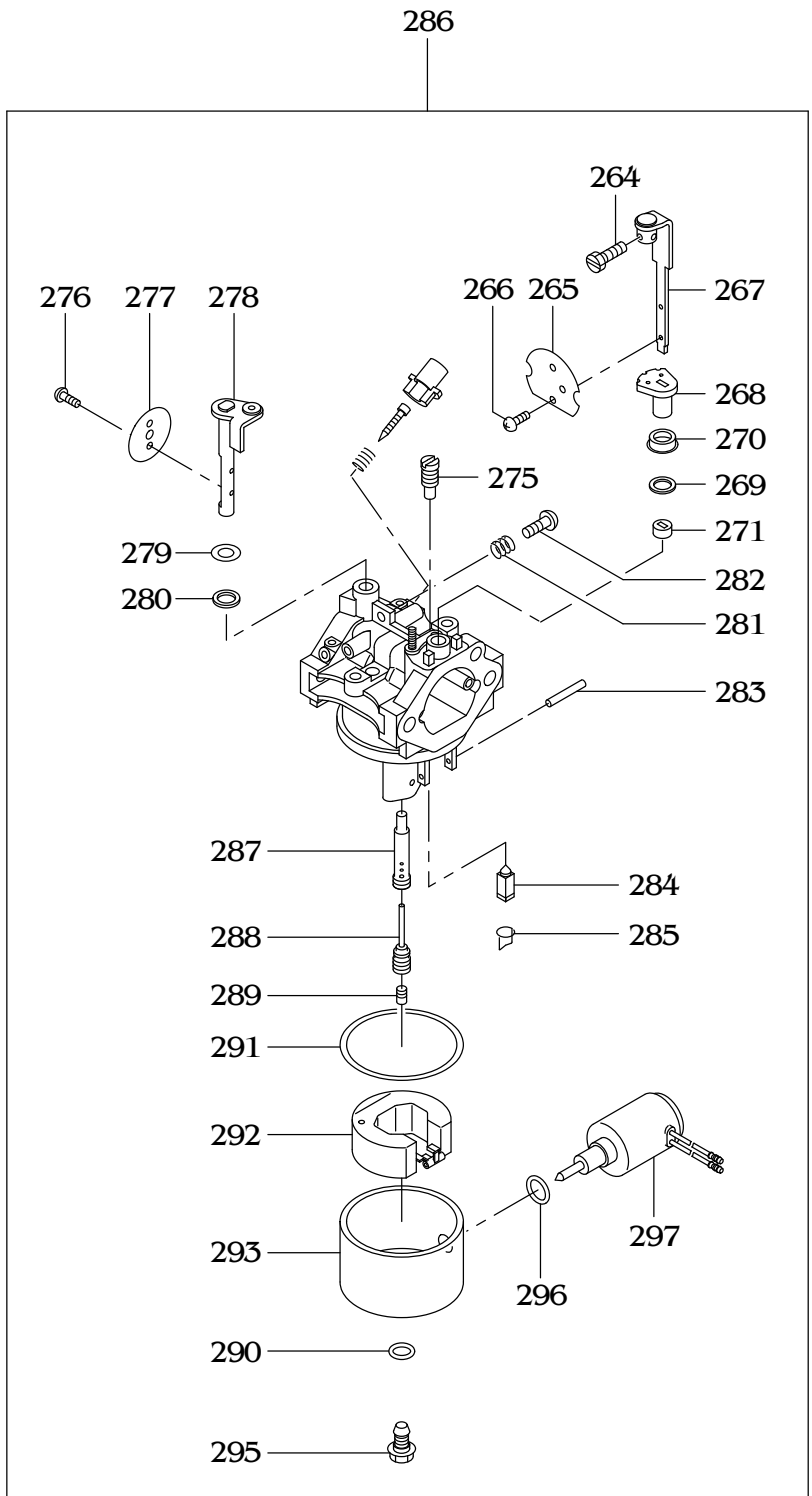
387 — GASKET SET
 INC. 139.157.161.168.173.
 175.208.212.214

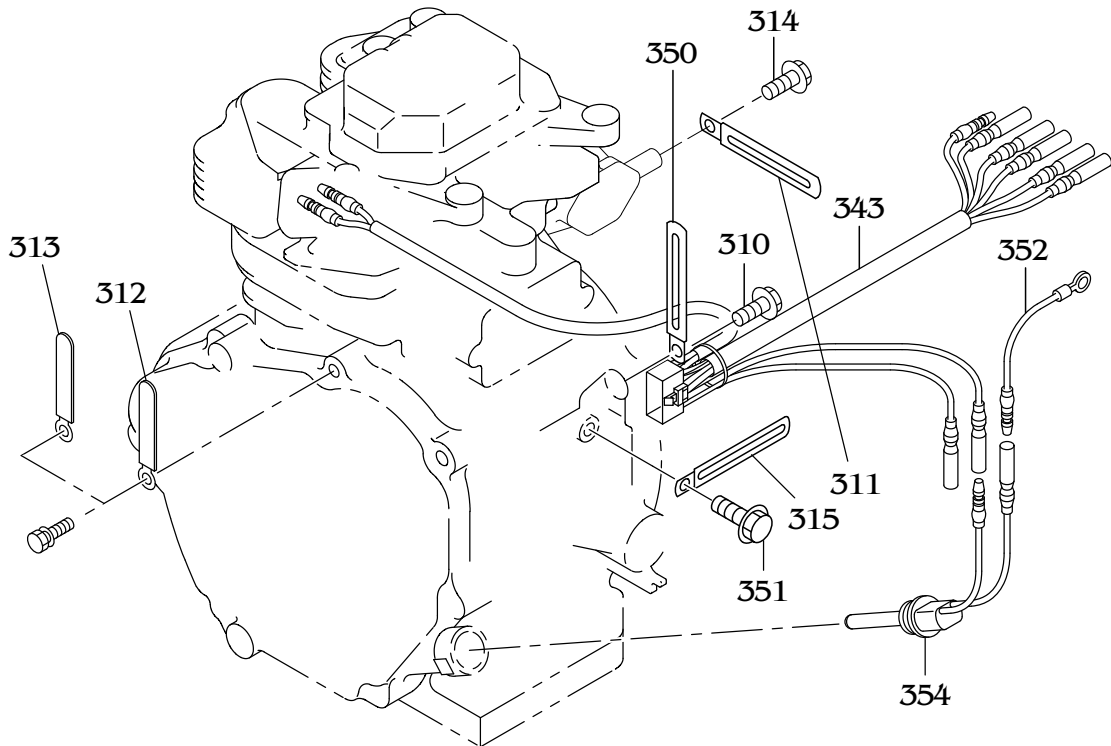
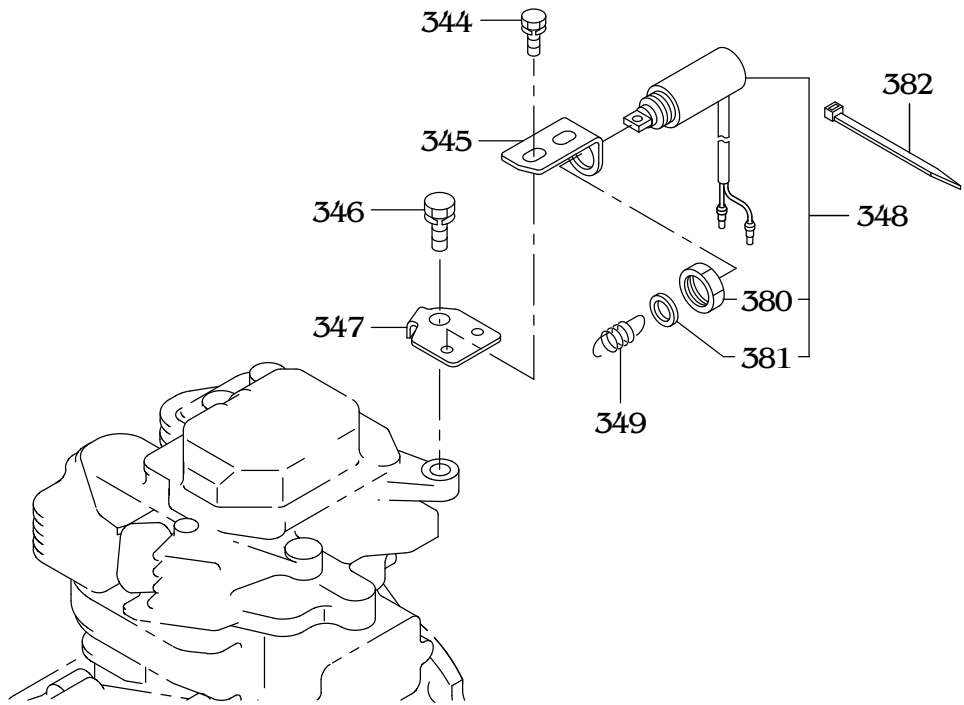




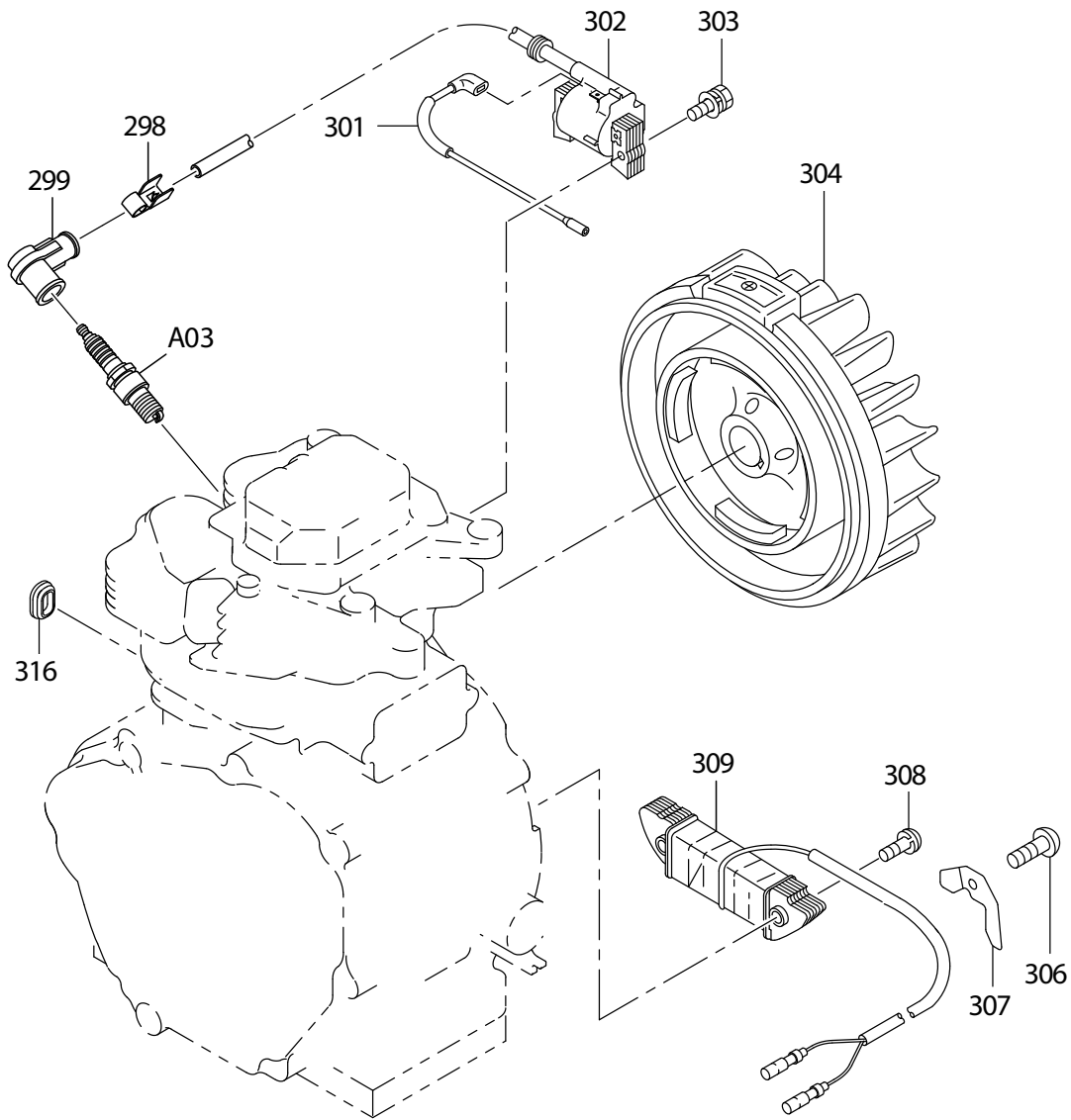








12 MODEL G6100R



Drawing Page	Item No.	Type	Sub	Part No.	Description	Qty	Unit
1	2			354-54513-08	BRUSH COVER	1	PC.
1	3			353-59943-08	SCREW & WASHER ASSY	2	PC.
1	4			003-20080-00	SPRING WASHER	4	PC.
1	5			31D-51025-01	COVER BOLT M8X160	4	PC.
1	7			31D-51022-01	REAR COVER	1	PC.
1	9			391-29000-13	BUSHING	1	PC.
1	10			31D-51023-01	STATOR COVER	1	PC.
1	11			31D-51122-01	STATOR CP	1	PC.
1	12			354-54116-08	FRONT COVER	1	PC.
1	13			001-15082-00	BOLT AND WASHER ASS'Y	4	PC.
1	14			31D-51010-01	ROTOR CP	1	PC.
1	15			35C-55001-01	BEARING	1	PC.
1	16			355-58009-08	THROUGH BOLT M10X260	1	PC.
2	17			31D-69101-01	STOPPER PLATE	1	PC.
2	18			31D-61116-01	PIPE FRAME CP	1	PC.
2	19			392-49987-08	SCREW	1	PC.
2	20			31C-82160-03	EARTH CORD	1	PC.
2	24			002-38080-00	FLANGE NUT	8	PC.
2	25			31C-69001-01	SPACER	2	PC.
2	26			31D-35001-01	RUBBER MOUNT UNIT	2	PC.
2	27			31D-35002-01	RUBBER MOUNT UNIT	2	PC.
2	29			073-20048-60	LABEL(HOT&GAS)	1	PC.
3	45			31D-42201-01	CONTROL BOX CP	1	PC.
3	46			389-89001-03	GROMET	1	PC.
3	51			31C-73008-03	CIRCUIT BREAKER	1	PC.
3	52			363-45701-08	TERMINAL BOLT (RED)	1	PC.
3	53			363-45700-08	TERMINAL BOLT (BLACK)	1	PC.
3	54			353-49903-08	WASHER	2	PC.
3	56			353-49902-08	NUT	1	PC.
3	57			332-00050-08	SPRING WASHER	2	PC.
3	58			353-49901-08	WING NUT	1	PC.
3	61			353-45804-08	DIODE STACK ASS'Y	1	PC.
3	62			31B-79001-03	TAPPING SCREW	1	PC.
3	66			KU3-11047-01	IDLE CONTROL UNIT	1	PC.
3	67			004-31062-00	SCREW	2	PC.
3	68			003-10040-00	WASHER	1	PC.
3	72			31C-75001-03	CONDENSER BRACKET	1	PC.
3	73			353-49904-08	TAPPING SCREW(M4X10MM)	1	PC.
3	75			390-47578-08	CONDENSER CP	1	PC.
3	78			31B7750801	LOCKER SWITCH	1	PC.
3	79			31D-73006-03	BREAKER	1	PC.
3	80			390-45673-08	CIRCUIT BREAKER(250V-30A)	1	PC.
3	81			353-45724-08	AC RECEPTACLE (120V/240V-20A)	1	PC.
3	82			002-17040-00	NUT	2	PC.
3	83			31G-75020-03	AC RECEPTACLE	1	PC.
3	85			388-49801-08	NUT (M3)	2	PC.
3	86			31D-73009-03	SWITCH ASSY	1	PC.
3	87			389-45671-08	SWITCH ASSY	1	PC.
3	89			380-45749-08	AC RECEPTACLE	1	PC.
3	90			31D7205701	PANEL A CP	1	PC.
3	92			356-59937-08	SCREW	4	PC.
3	95	1		391-47900-11	AC VOLTMETER (200V CLASS) (N/L/A)	1	PC.
3		2		391-47902-01	AC VOLTMETER (200V CLASS)	1	PC.
3	96			004-35041-00	SCREW & WASHER ASS'Y	2	PC.
3	97			003-10040-00	WASHER	2	PC.
3	101			31B-79011-03	SCREW AND WASHER ASS'Y	8	PC.

Drawing Page	Item No.	Type	Sub	Part No.	Description	Qty	Unit
3	103			353-49904-08	TAPPING SCREW(M4X10MM)	6	PC.
4	104			014-50500-40	SCREW	2	PC.
4	105			064-80003-00	FUEL GAUGE COMPLETE	1	PC.
4	106			043-05900-11	FUEL TANK CAP COMPLETE	1	PC.
4	107			064-15400-11	FUEL FILTER	1	PC.
4	108			011-00602-20	FLANGE BOLT	4	PC.
4	109			31D-36013-01	FUEL TANK COMPLETE	1	PC.
4	110			391-39000-13	RUBBER (TANK)	4	PC.
4	111			377-92500-03	CAUTION LABEL	1	PC.
4	113	1		064-20036-01	FUEL STRAINER ASS'Y	1	PC.
4			INC.		Item No.114-116		
4	113	2		064-20107-00	FUEL STRAINER AY	1	PC.
4			INC.		Item No.114-116		
4	114			064-20002-20	FILTER	1	PC.
4	115			064-20030-30	PACKING	1	PC.
4	116			064-20036-10	CUP	1	PC.
4	117			056-11100-20	HOSE CLAMP 11D	1	PC.
4	118			085-10601-80	RUBBER PIPE	1	PC.
4	119			056-11100-20	HOSE CLAMP 11D	1	PC.
4	120			011-00600-30	FLANGE BOLT M6X1.0X14DX14L	1	PC.
4	121			056-11100-20	HOSE CLAMP 11D	1	PC.
4	122	1		085-10605-70	RUBBER PIPE (N/L/A)	1	PC.
4		2		085-10600-00	RUBBER PIPE	1	PC.
4	123			056-11100-20	HOSE CLAMP 11D	1	PC.
5	124			31D-12001-01	MUFFLER COVER 1 COMPLETE	1	PC.
5	125			001-11061-00	BOLT AND WASHER ASS'Y	4	PC.
5	126			015-00400-40	TAPPING SCREW	4	PC.
5	127			31D-14001-01	SPARK ARRESTER COMPLETE	1	PC.
5	128			31D-11004-01	MUFFLER COMPLETE	1	PC.
5	129			270-35201-01	GASKET COMPL.(EXHAUST)	1	PC.
5	130			003-20080-00	SPRING WASHER	2	PC.
5	131			017-00800-30	NUT	2	PC.
5	132			001-15082-00	BOLT AND WASHER ASS'Y	4	PC.
5	133			31D-13001-03	MUFFLER COVER 2	1	PC.
5	134			001-11061-00	BOLT AND WASHER ASS'Y	4	PC.
5	135			31D-61125-01	MUFFLER STAY	1	PC.
6	136			011-01000-40	FLANGE BOLT	4	PC.
6	137			011-00600-20	FLANGE BOLT M6X1.0X14DX12L	4	PC.
6	138			246-15501-01	ROCKER COVER	1	PC.
6	139			246-16002-13	GASKET(ROCKER COVER)	1	PC.
6	140			247-13101-41	CYLINDER HEAD COMPL.	1	PC.
6			INC.	247-13101-41	Item No.141-143,372,373		
6	141			246-14202-03	VALVE GUIDE (OVERSIZE)	1	PC.
6	142			246-14202-03	VALVE GUIDE (OVERSIZE)	1	PC.
6	143			010-50802-90	MUFFLER STUD	2	PC.
6	144			011-01000-20	FLANGE BOLT	1	PC.
6	145			031-00600-20	DOWEL PIN	2	PC.
6	146	1		247-15001-23	GASKET(HEAD) (N/L/A)	1	PC.
6		2		247-15001-13	GASKET(HEAD)	1	PC.
6	147			224-17101-03	BLIND COVER	1	PC.
6	148			001-65081-20	BOLT	2	PC.
6	150			246-45001-01	GOVERNOR GEAR COMPLETE	1	PC.
6	151			247-10102-31	CRANKCASE COMPL.	1	PC.
6			INC.		Item No.152-156,374		
6	152			031-00600-20	DOWEL PIN	1	PC.

Drawing Page	Item No.	Type	Sub	Part No.	Description	Qty	Unit
6	153	1		044-03500-90	OIL SEAL (TB 35X48X8MM)	1	PC.
6		2		044-35000-91	OIL SEAL (TB 35X48X8MM)	1	PC.
6	154			060-03500-10	BALL BEARING 6207C3	1	PC.
6	155			031-00600-20	DOWEL PIN (Added)	1	PC.
6	156	1		060-01500-10	BALL BEARING	1	PC.
6		2		060-01500-60	BALL BEARING 6202C3	1	PC.
6	157			246-15101-13	GASKET(BEARING COVER)	1	PC.
6	158			205-41901-03	GOVERNOR SLEEVE	1	PC.
6	160			224-63601-01	OIL GAUGE COMPLETE	1	PC.
6	161			021-32000-50	GASKET	1	PC.
6	162			001-13084-00	BOLT AND WAHER ASS'Y	7	PC.
6	163			246-11001-41	MAIN BEARING COVER	1	PC.
6			INC.		Item No.164-166		
6	164			060-03500-10	BALL BEARING 6207C3	1	PC.
6	165	1		060-01500-10	BALL BEARING	1	PC.
6		2		060-01500-60	BALL BEARING 6202C3	1	PC.
6	166	1		044-03500-90	OIL SEAL (TB 35X48X8MM)	1	PC.
6		2		044-35000-91	OIL SEAL (TB 35X48X8MM)	1	PC.
6	167			040-11400-30	PLUG	2	PC.
6	168			021-11400-20	GASKET	2	PC.
6	170			011-00600-30	FLANGE BOLT M6X1.0X14DX14L	2	PC.
6	172			246-14301-01	BREATHER COVER	1	PC.
6	173			246-16006-03	GASKET (BREATHER COVER)	1	PC.
6	174			246-14401-01	BREATHER PLATE	1	PC.
6	175			246-16007-13	GASKET(BREATHER PLATE)	1	PC.
7	176			247-23501-17	PISTON RING SET (FOR STANDARD)	1	PC.
7	176A			247-23502-17	PISTON RING SET(OVERSIZE.25MM)	1	PC.
7	176B			247-23503-17	PISTON RING SET(OVERSIZE.50MM)	1	PC.
7	177	1		247-23401-13	PISTON (FOR STANDARD)	1	PC.
7		2		24723401H3	PISTON (FOR STANDARD)	1	PC.
7	177A	1		247-23402-13	PISTON (OVERSIZE 0.25MM)	1	PC.
7		2		24723402H3	PISTON (OVERSIZE 0.25MM)	1	PC.
7	177B	1		247-23403-13	PISTON (OVERSIZE 0.50MM)	1	PC.
7		2		24723403H3	PISTON (OVERSIZE 0.50MM)	1	PC.
7	178			246-23301-03	PISTON PIN	1	PC.
7	179			056-52100-20	CLIP	2	PC.
7	180			246-22501-00	CONNECTING ROD ASS'Y	1	PC.
7			INC.		Item No.181,182		
7	181			246-23101-13	OIL SCRAPER	1	PC.
7	182			246-23001-13	CONNECTING ROD BOLT	2	PC.
7	183			002-18180-00	NUT	1	PC.
7	184			003-20180-00	SPRING WASHER	1	PC.
7	185			003-10180-00	WASHER	1	PC.
7	186			246-24102-23	BALANCER SHAFT	1	PC.
7	187			005-32054-01	WOODRUFF KEY	1	PC.
7	188	1		246-20701-01	CRANKSHAFT COMPLETE	1	PC.
7		2		246-20701-11	CRANKSHAFT COMPLETE	1	PC.
7	189			023-03501-60	SPACER (T=0.6)	1	PC.
7	189A			023-03501-70	SPACER (T=0.8)	1	PC.
7	189B			023-03501-80	SPACER (T=1.0)	1	PC.
8	190			246-35501-03	COLLET-VALVE	2	PC.
8	191			246-35501-03	COLLET-VALVE	2	PC.
8	192			246-33711-13	SPRING RETAINER	1	PC.
8	193			246-33711-13	SPRING RETAINER	1	PC.
8	194			246-33611-03	VALVE SPRING	1	PC.
8	195			246-33611-03	VALVE SPRING	1	PC.

Drawing Page	Item No.	Type	Sub	Part No.	Description	Qty	Unit
8	196			020-02000-10	WASHER	1	PC.
8	197			020-02000-10	WASHER	1	PC.
8	198			246-36101-10	ROCKER ARM ASS'Y	1	PC.
8			INC.		Item No.199,200		
8	199			014-90800-21	ADJUSTING SCREW	1	PC.
8	200			017-00800-90	NUT	1	PC.
8	201			246-36120-13	SPACER (ROCKER SHAFT)	1	PC.
8	202			246-36101-10	ROCKER ARM ASS'Y	1	PC.
8			INC.		Item No.203,204		
8	203			014-90800-21	ADJUSTING SCREW	1	PC.
8	204			017-00800-90	NUT	1	PC.
8	205			239-35001-03	ROCKER SHAFT	1	PC.
8	206			246-35301-11	PUSH ROD COMPLETE	1	PC.
8	207			246-35301-11	PUSH ROD COMPLETE	1	PC.
8	208			246-36001-13	GASKET (INTAKE PIPE)	1	PC.
8	209			001-13082-80	BOLT AND WASHER ASS'Y	2	PC.
8	210			246-33001-01	INTAKE PIPE COMPLETE	1	PC.
8			INC.		Item No.211		
8	211			010-50602-30	STUD	2	PC.
8	212			234-35902-03	GASKET 2 INSULATOR	1	PC.
8	213			246-32901-03	INSULATOR	1	PC.
8	214			234-35902-03	GASKET 2 INSULATOR	1	PC.
8	215			001-10061-20	BOLT & WASHER ASS'Y	1	PC.
8	216			263-33401-03	INTAKE VALVE	1	PC.
8	217			263-33502-13	EXHAUST VALVE	1	PC.
8	218			002-38060-00	FLANGE NUT M6	2	PC.
8	219			270-32611-00	AIR CLEANER ASSY	1	PC.
8			INC.		Item No.220,222,375		
8	220			255-32601-07	ELEMENT SET	1	PC.
8	221			001-13082-80	BOLT AND WASHER ASS'Y	1	PC.
8	222			234-36003-03	AIR CLEANER GASKET	1	PC.
8	223			246-33301-03	TAPPET	1	PC.
8	224			246-33301-03	TAPPET	1	PC.
8	225			246-36701-03	RETURN SPRING	1	PC.
8	226			246-31701-01	CAMSHAFT COMPLETE	1	PC.
8	228			023-02200-50	SPACER (T=0.6)	1	PC.
8	228A			023-02200-60	SPACER (T=0.7)	1	PC.
8	228B			023-02200-70	SPACER (T=0.8)	1	PC.
8	229			246-36201-11	RELEASE LEVER COMPL.	1	PC.
9	230			246-42201-23	GOVERNOR SHAFT	1	PC.
9	231			003-13060-00	CLIP	1	PC.
8	233			246-45006-01	KNOB COMPLETE	1	PC.
9	234			246-42801-13	ROD SPRING	1	PC.
9	235			234-42703-11	GOVERNOR ROD	1	PC.
9	236			246-42304-11	GOVERNOR LEVER CP	1	PC.
9	237			001-14062-50	BOLT & WASHER ASS'Y	1	PC.
9	238			004-31053-50	PAN HEAD SCREW	1	PC.
9	239			002-17050-00	NUT M5	1	PC.
9	240			246-42501-23	GOVERNOR SPRING	1	PC.
9	241			018-60600-20	NUT M6X1.0X4.9H	1	PC.
9	242			246-43310-03	SPEED CONTROL COMPL.	1	PC.
9	243			001-10081-60	BOLT AND WASHER ASS'Y	1	PC.
10	244			011-00600-10	FLANGE BOLT M6X1.0X14DX8L	2	PC.
10	245			001-65101-60	BOLT	2	PC.
10	246			246-52706-03	CYLINDER BAFFLE	1	PC.
10	247			246-51215-01	BLOWER HOUSING COMPLETE	1	PC.

Drawing Page	Item No.	Type	Sub	Part No.	Description	Qty	Unit
10	248			011-00600-10	FLANGE BOLT M6X1.0X14DX8L	4	PC.
10	249			011-00600-10	FLANGE BOLT M6X1.0X14DX8L	4	PC.
10	250	1		246-50201-30	RECOIL STARTER ASS'Y	1	PC.
10			INC.		Item No.251-262		
10		2		246-50204-10	RECOIL STARTER ASS'Y	1	PC.
10			INC.		Item No.251-262		
10	251			261-50115-08	SPIRAL SPRING	1	PC.
10	253			246-50120-08	REEL	1	PC.
10	254			227-50135-08	RETURN SPRING	1	PC.
10	255			246-50125-08	RATCHET	1	PC.
10	256			246-50130-08	FRICTION SPRING	1	PC.
10	257			246-50160-08	RATCHET GUIDE	1	PC.
10	258			227-50152-08	SET SCREW	1	PC.
10	259			246-50147-08	STARTER PULLEY	1	PC.
10	260			246-50125-08	RATCHET	1	PC.
10	261			227-50135-08	RETURN SPRING	1	PC.
10	262			261-50100-08	STARTER KNOB	1	PC.
10	263			001-65081-20	BOLT	3	PC.
11	264			246-62455-08	BOLT	1	PC.
11	265			234-62525-08	CHOKE VALVE	1	PC.
11	266			237-62451-08	SCREW	2	PC.
11	267			234-62521-08	CHOKE LEVER	1	PC.
11	268			239-62560-08	RING	1	PC.
11	269			236-62680-08	SEAL	1	PC.
11	270			247-62550-08	CAP	1	PC.
11	271			226-62550-08	RING	1	PC.
11	275			247-62420-08	PILOT JET (#42.5)	1	PC.
11	276			209-62351-08	SCREW ASS'Y	2	PC.
11	277			213-62535-08	THROTTLE VALVE (#180)	1	PC.
11	278			246-62531-08	THROTTLE SHAFT ASS'Y	1	PC.
11	279			156-62351-08	PACKING	1	PC.
11	280			106-62392-08	SEAL	1	PC.
11	281			209-62445-08	SPRING	1	PC.
11	282			246-62435-08	ADJUST SCREW	1	PC.
11	283			214-62515-08	FLOAT PIN	1	PC.
11	284			224-62312-18	NEEDLE VALVE	1	PC.
11	285			224-62569-18	CLIP	1	PC.
11	286			247-62325-20	CARBURETOR ASS'Y	1	PC.
11			INC.		Item No.264-285,287-297		
11	287			246-62441-08	MAIN NOZZLE	1	PC.
11	288			246-62425-08	PIPE	1	PC.
11	289			246-62403-08	MAIN JET (#95)	1	PC.
11	290			242-62313-08	O RING	1	PC.
11	291			206-62540-08	PACKING	1	PC.
11	292			234-62506-08	FLOAT ASS'Y	1	PC.
11	293			254-62554-08	FLOAT BODY A	1	PC.
11	295			248-62425-08	JET HOLDER	1	PC.
11	296			247-62565-08	WASHER	1	PC.
11	297			247-62562-08	SOLENOID ASSY	1	PC.
13	298			065-90000-10	PLUG TERMINAL	1	PC.
13	299			065-50001-40	SPARK PLUG CAP	1	PC.
13	301			246-73101-01	WIRE 1 COMPLETE	1	PC.
13	302			246-78201-21	IGNITION COIL COMPLETE	1	PC.
13	303			001-14063-00	BOLT AND WASHER ASS'Y	2	PC.
13	304			246-77204-01	FLYWHEEL COMPLETE	1	PC.
13	306			004-31060-80	PAN HEAD SCREW	1	PC.

Drawing Page	Item No.	Type	Sub	Part No.	Description	Qty	Unit
13	307			246-75502-01	CLAMP COMPLETE	1	PC.
13	308			004-35062-00	SCREW & WASHER ASS'Y	2	PC.
13	309			246-79201-01	CHARGE COIL COMPLETE	1	PC.
12	310			011-00600-10	FLANGE BOLT M6X1.0X14DX8L	1	PC.
12	311			056-60002-50	CLAMP	1	PC.
12	312			056-60002-60	CLAMP	1	PC.
12	313			056-60002-60	CLAMP	1	PC.
12	314			011-00600-10	FLANGE BOLT M6X1.0X14DX8L	1	PC.
12	315			056-60002-50	CLAMP	1	PC.
13	316			226-75501-03	GROMMET	1	PC.
12	343			246-73119-11	WIRE 19 COMPLETE	1	PC.
12	344			001-11061-00	BOLT AND WASHER ASS'Y	2	PC.
12	345			246-76007-01	SOLENOID BRACKET 2 COMPLETE	1	PC.
12	346			001-13102-00	BOLT AND WASHER ASS'Y	1	PC.
12	347			246-76005-01	SOLENOID BRACKET 1 COMPLETE	1	PC.
12	348			227-75501-00	SOLENOID ASS'Y	1	PC.
12			INC.		Item No.380,381		
12	349			234-78202-13	SOLENOID SPRING	1	PC.
12	350			056-60002-50	CLAMP	1	PC.
12	351			011-00600-10	FLANGE BOLT M6X1.0X14DX8L	1	PC.
12	352			253-73103-01	WIRE 3 COMPLETE	1	PC.
6	353			132-07AA0-50	SEAL(INTAKE VALVE)	1	PC.
12	354			KS3-11012-01	OIL SENSOR COMPLETE KS31101201	1	PC.
2	355			31D-83110-03	LABEL(TRADE MARK) - N/A	1	PC.
2	356			31D-82154-03	LABEL(CAUTION SPEC)	1	PC.
3	357			003-20060-00	SPRING WASHER	2	PC.
3	358			002-17060-00	NUT M6	2	PC.
3	359			31B-79003-03	LOCK WASHER	2	PC.
3	360			31B-73012-03	BREAKER	1	PC.
3	361			31D-79001-03	SCREW	1	PC.
3	362			372-59950-08	LOCK WASHER	1	PC.
3	363			31D-79002-03	CAP WASHER	1	PC.
3	364			31D-79003-03	PLATE	1	PC.
3	365			31B-79011-03	SCREW AND WASHER ASS'Y	1	PC.
3	366			31B-79012-03	BOLT & WASHER ASSY	2	PC.
3	367			31B-79013-03	BOLT & WASHER ASSY (Added)	2	PC.
3	368			372-59950-08	LOCK WASHER (Added)	2	PC.
4	369			389-59384-08	LABEL(CAUTION)	1	PC.
4	370			33B-97102-13	LABEL (CAUTION)	1	PC.
4	371			31G-81027-03	LABEL(NOISE)	1	PC.
6	372			056-51000-50	CLIP	1	PC.
6	374			044-00800-10	OIL SEAL	1	PC.
8	375			207-32690-08	GROMMET	1	PC.
8	376			246-10801-13	RUBBER PIPE(11X8)	1	PC.
9	377			003-11080-00	WASHER	1	PC.
10	378			073-20050-01	LABEL(MAKITA)	1	PC.
10	379			073-20039-00	LABEL(WARNING)	1	PC.
12	380			227-75501-08	NUT	1	PC.
12	381			227-75502-08	WASHER	1	PC.
12	382			056-30000-40	WIRE BAND	1	PC.
6	383			246-17501-03	SHELTER PLATE	1	PC.
6	384			015-20600-50	TAPPING BOLT	1	PC.
3	385			31D-72067-00	CONTORL PANEL ASSY - N/A	1	PC.
3			INC.		Item No.51-54,56-58,78-83,85-87,89		
3			INC.		Item No. 90,92,95-97,101,360-365		
8	386			263-35341-03	RETAINER PLATE	1	PC.

Drawing

Page	Item No.	Type	Sub	Part No.	Description	Qty	Unit
6	387			247-99002-17	GASKET SET	1	PC.
6			INC.		Item No.139,157,161,168,173,175		
6			INC.		Item No.208,212,214		

ACCESSORIES

	A01			227-90301-10	TOOL KIT	1	PC.
10	A02			226-50113-08	STARTER ROPE	1	PC.
13	A03			065-01405-80	SPARK PLUG (B6ES)	1	PC.
	A04			110004-B	WHEEL KIT (SEE PARTS BREAKDOWN 110004-B)	1	PC.