

## Drill - 0 601 136 539 - GBM 1 RE

www.powertools-aftersaleservice.com

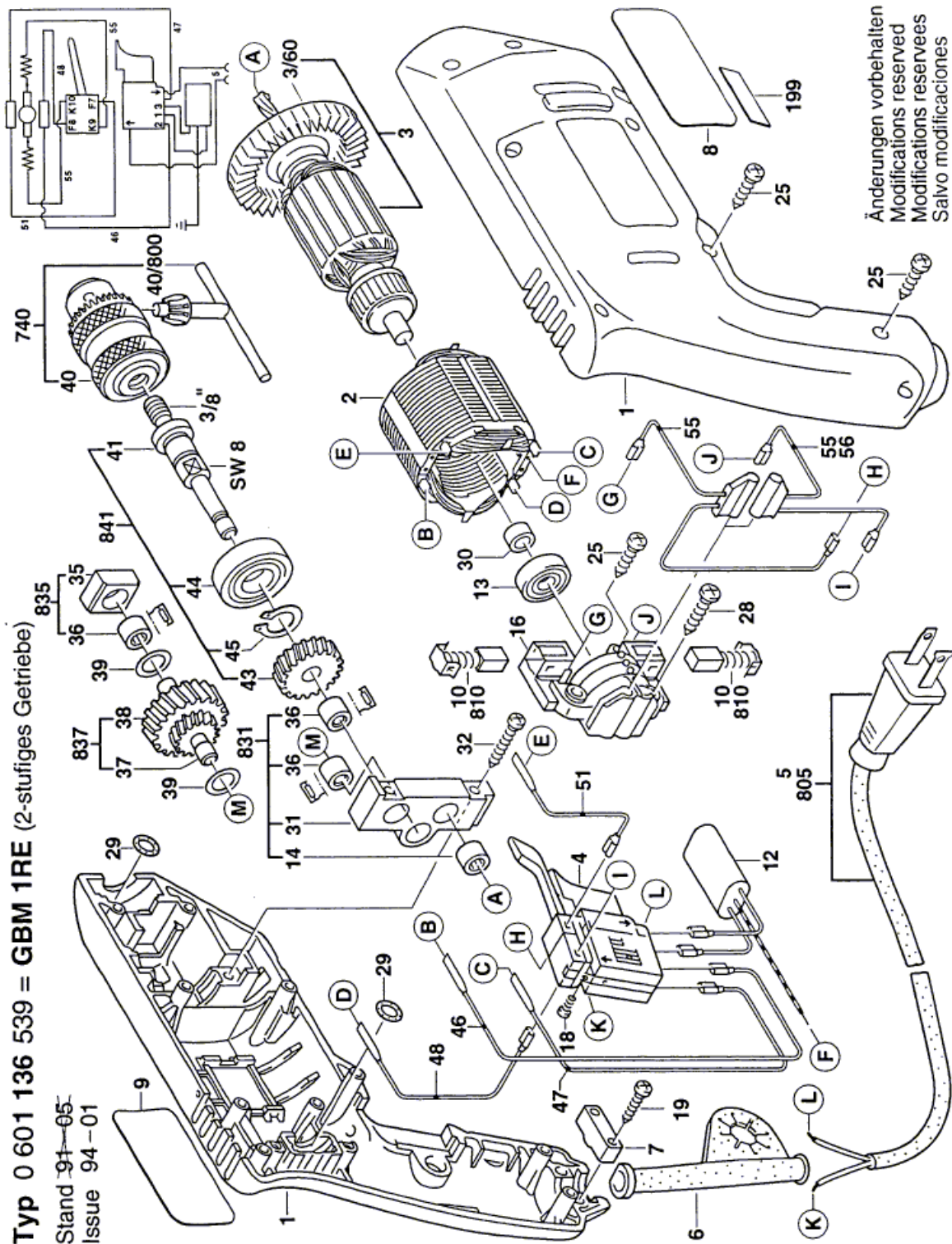


**BOSCH**

Item	Part Number	Description	Illustration	Price	Quantity	Price Group
	1 2 605 104 342	Housing Section BLUE	1	-,-	1	28
	2 2 604 220 464	Field 110-115V	1	-,-	1	29
	3 2 604 010 833	Armature 110-115V	1	-,-	1	-
	3/60 2 606 610 027	Fan	1	-,-	1	12
	4 2 607 200 279	On-Off Switch	1	-,-	1	35
	5 2 604 460 170	Power supply cord USA/CDN 2,15m 2 x 082mm SJ 18/2	1	-,-	1	27
	6 2 600 707 063	Grommet Ø8,2x84 MM	1	-,-	1	11
	7 2 601 035 001	Cable Clip	1	-,-	1	11
	9 2 601 118 581	Manufacturer's nameplate SUNNY SIDE	1	-,-	1	15
	13 2 600 905 032	Deep-Groove Ball Bearing 7x19x6	1	-,-	1	17
	14 2 600 917 003	Needle bearing Ø8x8 MM	1	-,-	1	14
	16 2 605 807 039	Brush Plate	1	-,-	1	20
	18 2 603 410 001	Socket head cap screw M3x6,5-4.8	1	-,-	2	11
	19 2 910 611 019	Tapping Screw DIN 7981-ST3,9x16-C-H	1	-,-	2	13
	25 2 910 611 006	Tapping Screw DIN 7981-ST2,9x13-C-H	N/A	-,-	10	11
	28 2 912 401 020	Tapping Screw DIN 7981-3,9x19-C-Z-ST	N/A	-,-	2	10
	29 1 900 210 000	O-Ring 5,0x1,5 MM	1	-,-	2	11
	30 2 600 209 004	Spacer Ring	1	-,-	1	13
	32 2 603 490 024	Torx Oval-Head Screw 4x25	1	-,-	2	11
	35 2 602 305 003	Bearing Piece	1	-,-	1	15
	36 2 600 917 004	Needle bearing	1	-,-	2	15
	39 2 600 100 627	Shim 0,3 MM	1	-,-	2	11
	40/800 2 607 950 006	Chuck Wrench DIN 6349 - S1	N/A	-,-	1	-
	43 2 606 319 039	Cylindrical Gear Z=29	1	-,-	1	28
	44 1 900 905 232	Deep-Groove Ball Bearing 6200-2Z DIN 625	1	-,-	1	29
	45 2 916 650 001	Spring retaining ring DIN 471-10x1MM-FSt	1	-,-	1	10
	46 2 604 448 152	Connecting Cable	1	-,-	1	11
	47 2 604 448 153	Connecting Cable	1	-,-	1	11
	48 2 604 448 154	Connecting Cable L=83 MM WHITE	1	-,-	1	11
	51 2 604 448 155	Connecting Cable	1	-,-	1	11
	55 2 604 448 156	Connecting Cable L=113 MM WHITE	1	-,-	1	11
	56 2 604 448 157	Connecting Cable	1	-,-	1	-
	740 2 608 571 010	Key Chuck 0,5-6,5 MM, 3/8"	1	-,-	1	-

Item	Part Number	Description	Illustration	Price	Quantity	Price Group
810	2 607 014 004	Carbon-Brush Set	1	-,-	1	24
831	2 605 807 922	Bearing Bracket	1	-,-	1	27
837	2 606 311 908	Toothed Shaft Z=15/55	1	-,-	1	31
841	2 606 135 914	Drilling Spindle 3/8", SW 8	1	-,-	1	33
888	1 601 106 032	Nameplate 26x52 MM	N/A	-,-	1	13

Illustration - Type E



Information subject to change without further notice.