

Universal Angle Polisher - 0 601 366 039 - GBO 12

www.powertools-aftersaleservice.com



BOSCH

Item	Part Number	Description	Illustration	Price	Quantity	Price Group
	1 3 605 108 129	Motor Housing BLUE	1	-,-	1	32
	2 1 604 220 355	Field 110-120V	1	-,-	1	33
3/50	1 606 610 126	Fan	1	-,-	1	18
	4 1 607 200 080	Switch	1	-,-	1	33
	5 1 604 460 133	Power supply cord USA/CDN 2,15m 2 x 2,08mm SJ 14/2	1	-,-	1	27
	6 3 600 703 011	Grommet Ø9,2-Ø12x120 MM	1	-,-	1	13
	7 1 601 302 013	Fastening Clamp	1	-,-	1	11
	9 3 601 110 276	Manufacturer's nameplate	1	-,-	1	-
13	2 600 905 032	Deep-Groove Ball Bearing 7x19x6	1	-,-	1	17
14	3 600 905 131	Deep-Groove Ball Bearing 9x26x8	1	-,-	1	23
17	1 604 652 006	Spiral Spring	1	-,-	2	11
19	3 605 500 063	Sealing cap BLUE	1	-,-	2	16
20	2 910 211 019	Tapping Screw DIN 7971-ST3,9x16-F	1	-,-	4	10
21	3 600 421 002	Air-Deflector Ring	1	-,-	1	14
24	3 605 132 062	Handle BLACK	1	-,-	1	27
25	1 602 388 029	Storage Ledge BLACK	1	-,-	1	11
27	1 600 206 026	Intermediate Ring	1	-,-	1	11
28	1 600 502 011	Intermediate Ring	1	-,-	1	11
30	1 601 030 022	Tab Washer	1	-,-	2	11
34	1 600 190 020	Shim 0,15 MM THICK	1	-,-	1	11
34	1 600 190 021	Shim 0,3 MM THICK	1	-,-	1	11
34	1 600 190 022	Shim 0,1 MM THICK	1	-,-	1	11
35	3 600 290 039	Seal ring	1	-,-	1	18
36	3 600 200 026	Threaded Ring	1	-,-	1	23
37	1 600 150 026	Spring Washer	1	-,-	1	13
38	1 600 119 009	Spring retaining ring	1	-,-	1	11
39	2 600 910 001	Needle bearing Ø14 MM	1	-,-	1	16
40	1 603 523 109	Grinding Spindle 5/8", SW17	1	-,-	1	34
42	1 900 905 281	Deep-Groove Ball Bearing 17x40x12	1	-,-	1	33
43	1 600 290 020	Seal ring	1	-,-	1	11
44	1 600 119 010	Spring retaining ring	1	-,-	1	11
45	1 600 290 019	Retaining snap ring	1	-,-	1	11
46	1 600 205 034	Felt Washer	1	-,-	1	11

Item	Part Number	Description	Illustration	Price	Quantity	Price Group
47	1 600 210 033	O-Ring 79,0x1,78 MM	1	-,-	1	11
48	1 603 435 023	Thread-forming tap. Screw TT M5x18 MM	1	-,-	4	11
49	2 912 401 038	Tapping Screw DIN 7981-4,8x38-C-Z-ST	1	-,-	4	10
57	3 601 025 003	Wire Guide	1	-,-	2	11
59	2 910 211 021	Tapping Screw DIN 7971-ST3,9x22-F	1	-,-	3	10
60	2 910 021 118	Socket head cap screw DIN 84-AM4x8-8.8	1	-,-	2	10
61	2 910 211 038	Tapping Screw DIN 7971-ST4,8x38-F	1	-,-	4	11
62	3 604 438 028	Connecting Cable	1	-,-	2	16
63	1 604 477 001	Blade terminal	1	-,-	2	11
64	2 910 211 018	Tapping Screw DIN 7971-ST3,9x13-F	1	-,-	2	10
65	1 900 452 003	End Splice DIN 46 228-A2,5-7	1	-,-	1	11
66	3 600 707 022	Shrinkable Tube	1	-,-	2	15
68	3 600 707 022	Shrinkable Tube	1	-,-	2	15
80	3 601 110 207	Reference Plate	1	-,-	1	17
81	1 601 110 449	Nameplate CAUTION	1	-,-	1	11
105	1 600 210 034	O-Ring 4,0x1,0 MM	1	-,-	1	11
650	1 602 025 022	Auxiliary Handle M14 BLACK	2	-,-	1	26
650	1 602 025 030	Auxiliary Handle M14, Ø37x115 MM BLACK	2	-,-	1	28
740	1 601 329 013	Protecting Cover	2	-,-	1	-
766	2 607 001 190	Parts Set	2	-,-	1	-
802	3 604 220 137	Field 110-120V	1	-,-	1	38
803	3 607 031 330	Armature 110-120V	1	-,-	1	51
808	1 601 106 032	Nameplate 26x52 MM	1	-,-	1	13
810	1 607 014 106	Carbon-Brush Set	1	-,-	1	27
816	1 607 000 189	Brush Holder	1	-,-	2	19
831	3 605 806 172	Gear Housing	1	-,-	1	42
832	3 606 333 063	Crown Gear Z=69	1	-,-	1	45
833	3 606 333 062	Bevel Gear Z=5	1	-,-	1	45
840	1 607 000 206	Push-Button BLACK	1	-,-	1	14
841	3 607 000 108	Bearing Flange	1	-,-	1	34
857	1 601 025 001	Wire Guide	1	-,-	2	11
862	3 604 438 000	Connecting Cable L=235 MM BLUE	1	-,-	2	13

Illustration - Type E

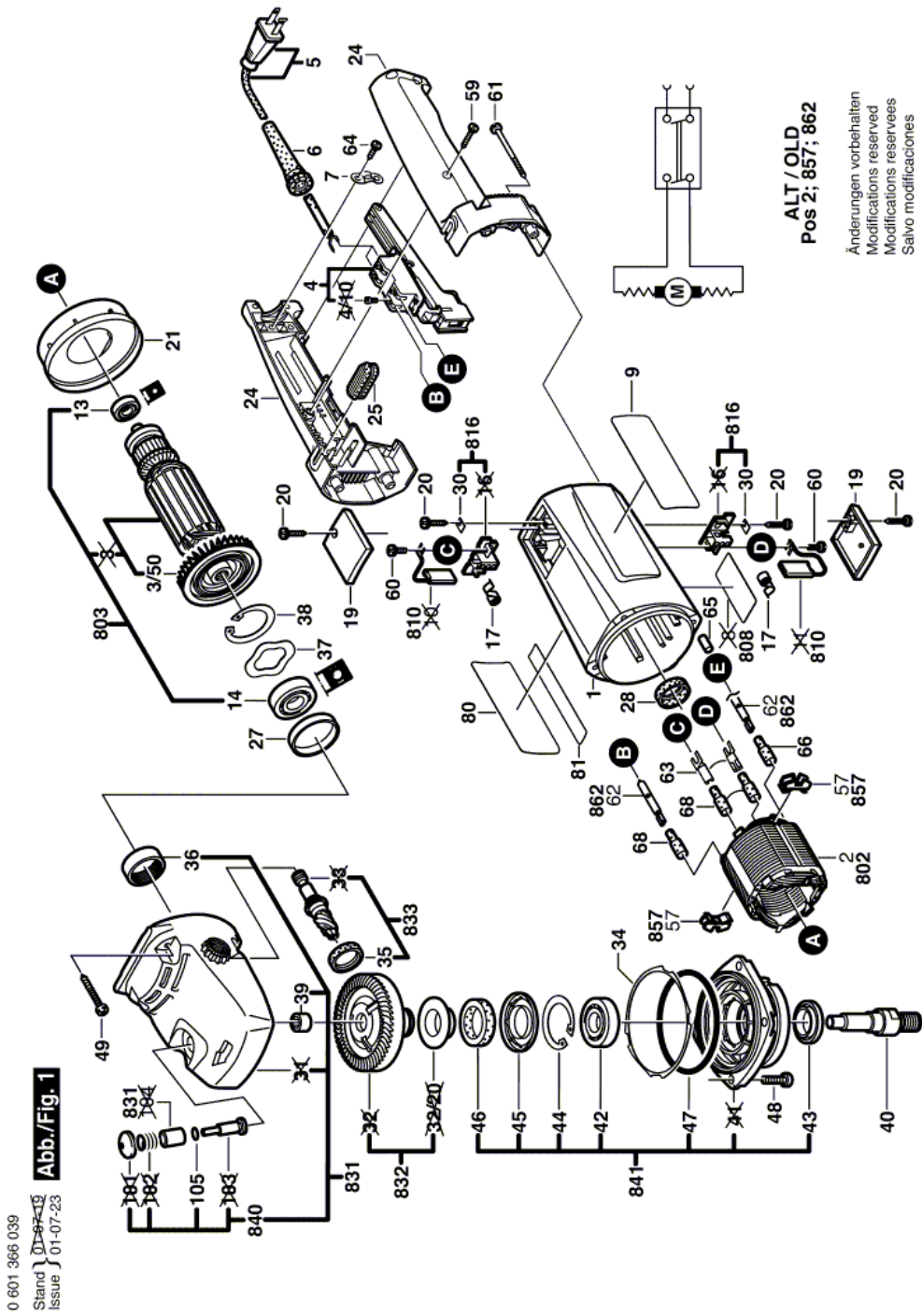
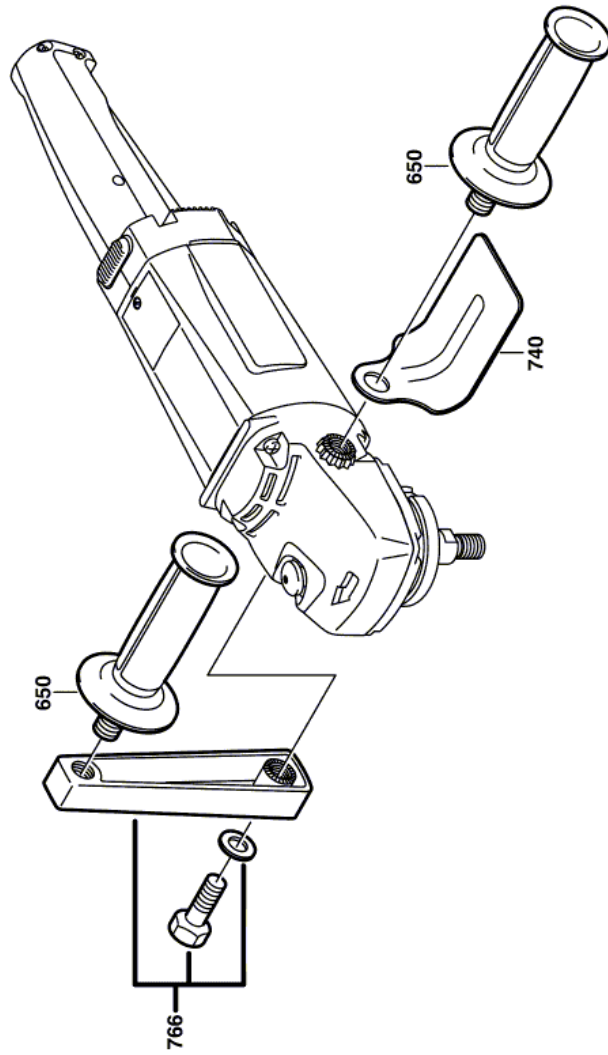


Illustration - Type E



0 601 366 039
Stand } 20-46
Issue } 01-07-10
Abb./Fig. 2

Änderungen vorbehalten
Modifications reserved
Modificacions reserves
Salvo modificaciones

Information subject to change without further notice.