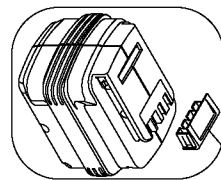
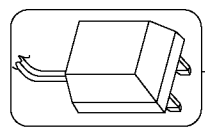


862

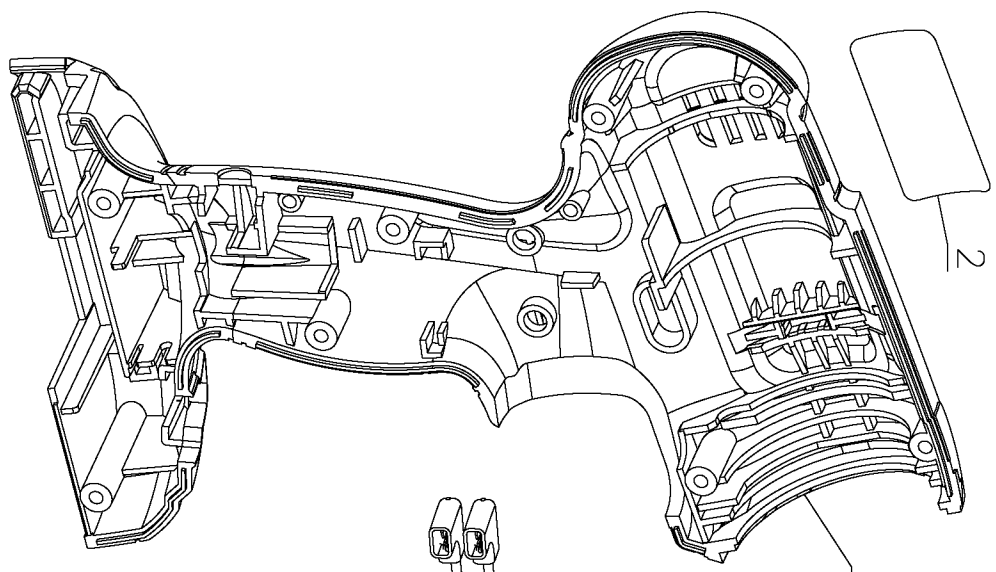


866



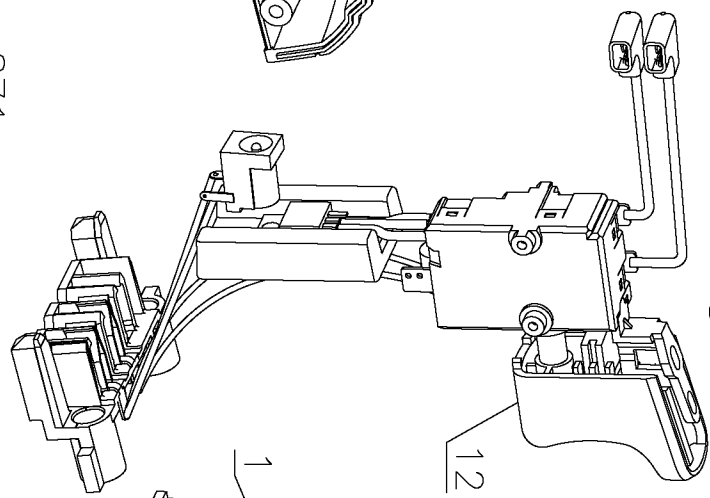
867

871



2

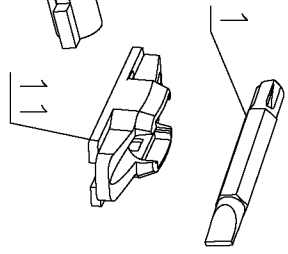
13



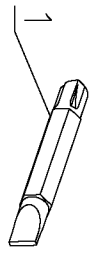
12



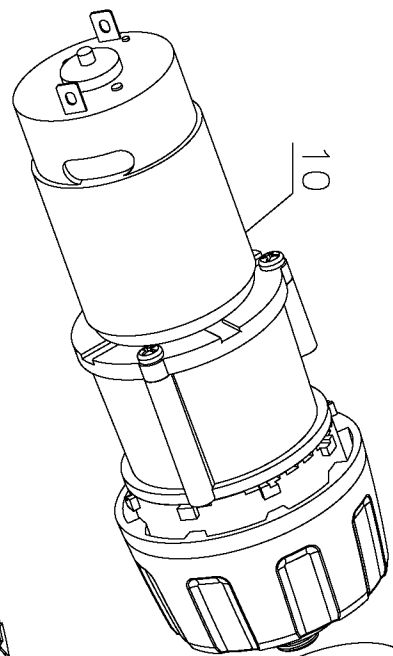
8



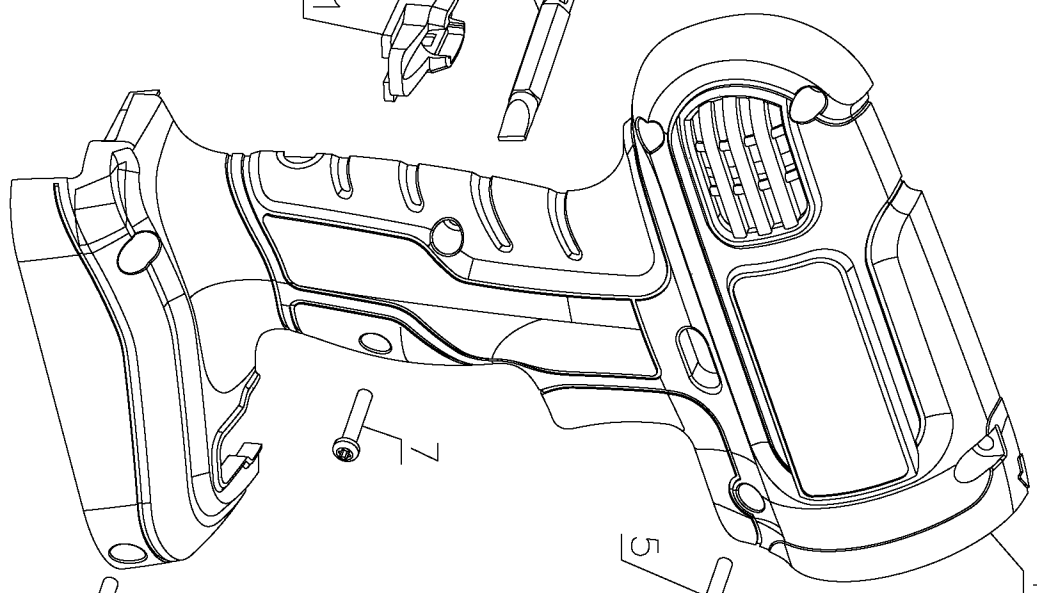
11



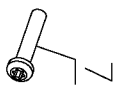
1



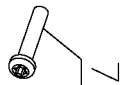
10



13



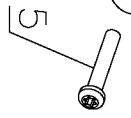
7



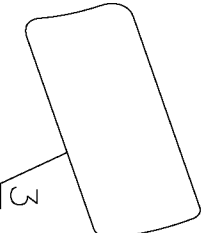
7



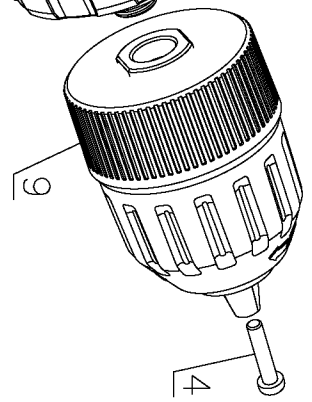
6



5



3



9

4

Parts List for GC1801 Type 2

Item Number	Part Number	Description	Qty Required
1	419581-01	BIT	1
2	90533185	LABEL, IDENT	1
3	90553696	NAMEPLATE	1
4	149518-01	SCREW	1
5	497283-01	SCREW	2
6	498099-00	SCREW	2
7	5106167-00	SCREW	4
8	90530825	ACTUATOR FWR/REV	1
9	90531604	CHUCK,KEYLESS	1
10	90533046	MOTOR & GEARBOX	1
11	90533048	BIT HOLDER	1
12	90533051	SWITCH, W/JACK	1
12	90533055	SWITCH,VSR	1
13	90534295	CLAMSHELL	1
13	90535995	CLAMSHELL SET	1
862	90528790	STORAGE BAG	1
866	HPB18	BATTERY	1
867	5102026-00	BATTERY CAP	1
871	90532613	CHARGER	1