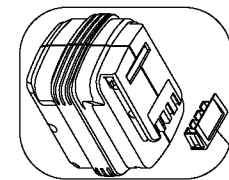
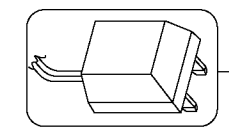


862



866



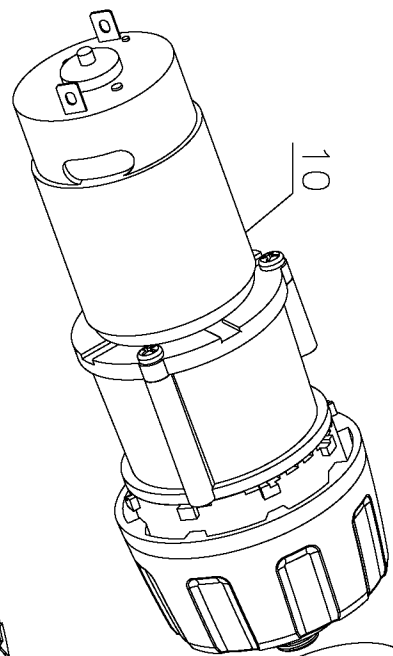
867 871



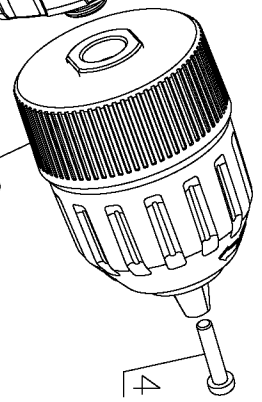
2



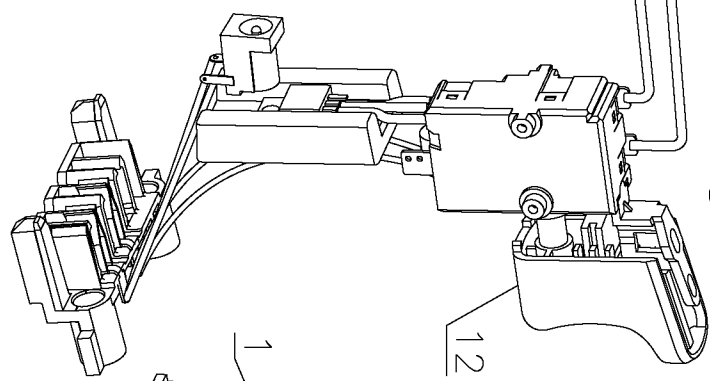
8



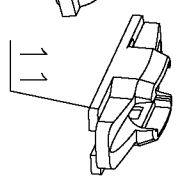
10



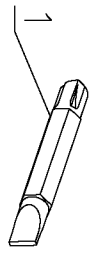
9



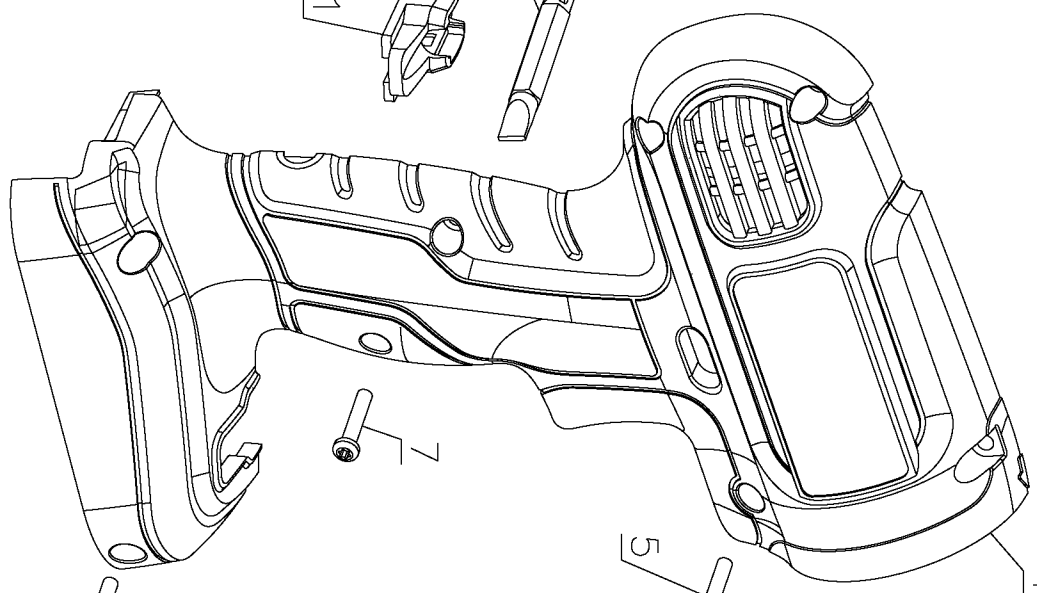
12



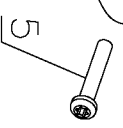
11



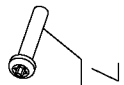
1



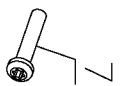
13



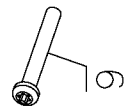
5



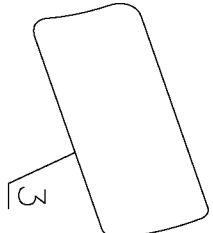
7



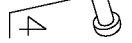
7



6



3



4

Parts List for GCO1800 Type 2

Item Number	Part Number	Description	Qty Required
1	419581-01	BIT	1
2	90533185	LABEL, IDENT	1
3	90553697	NAMEPLATE	1
4	149518-01	SCREW	1
5	497283-01	SCREW	2
6	498099-00	SCREW	2
7	5106167-00	SCREW	4
8	90530825	ACTUATOR FWR/REV	1
9	90548141	KEYLESS CHUCK	1
10	90533046	MOTOR & GEARBOX	1
11	90533048	BIT HOLDER	1
12	90533055	SWITCH,VSR	1
13	90536000	CLAMSHELL SET	1
862	90528790	STORAGE BAG	1
866	HPB18	BATTERY	2
867	5102026-00	BATTERY CAP	1
871	90532613	CHARGER	1