

Multipurpose tool - 3 601 B31 110 - GOP55-36

www.powertools-aftersaleservice.com

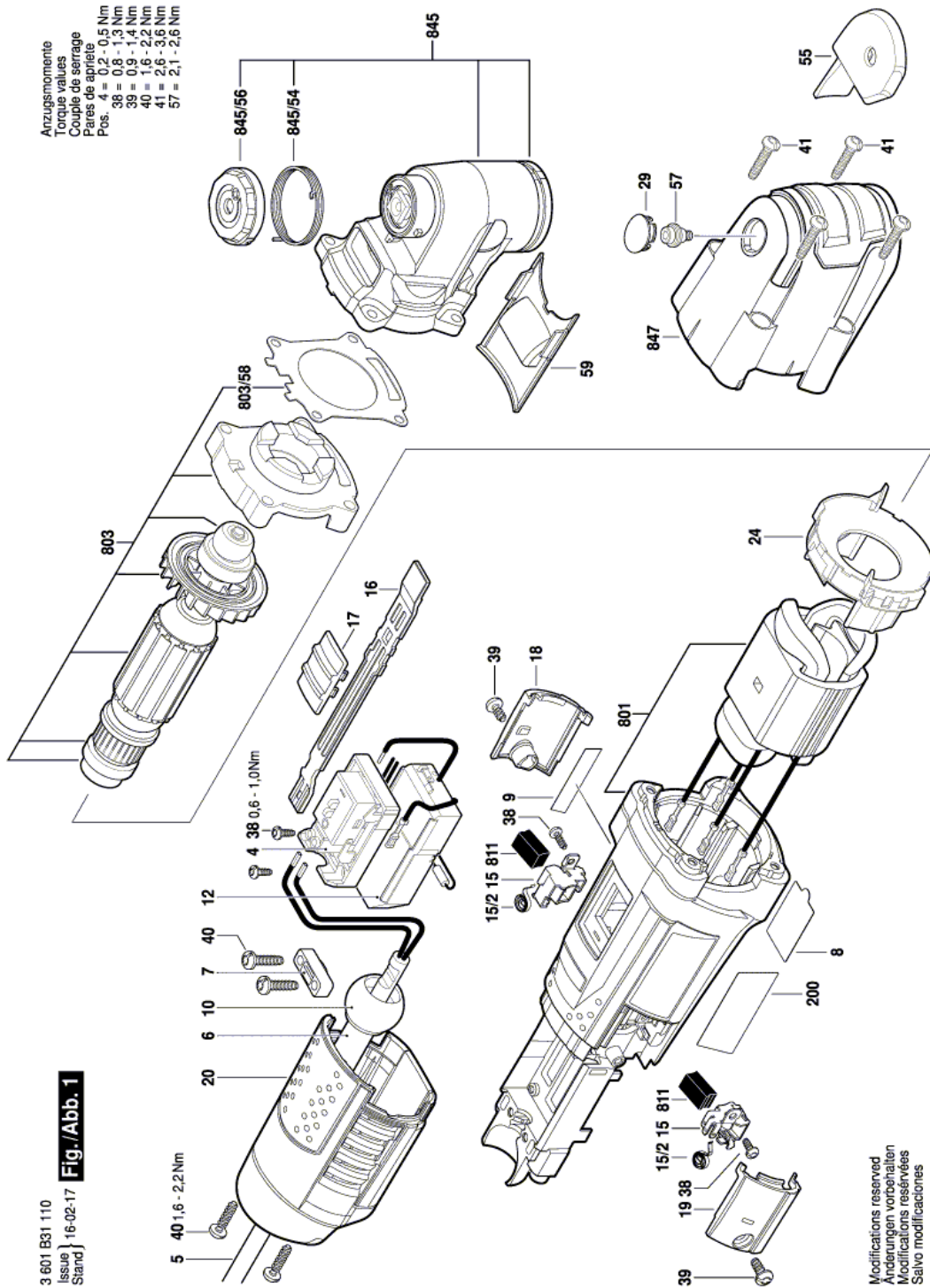


BOSCH

Item	Part Number	Description	Illustration	Price	Quantity	Price Group
4	2 609 125 028	Electronics Module	1	-,-	1	28
5	2 604 460 303	Power supply cord US 4,15m 2x0,82mm SJ 18/2	1	-,-	1	33
6	2 600 703 013	Grommet Ø7,6-Ø8,2x95 MM	1	-,-	1	13
7	2 601 035 001	Cable Clip	1	-,-	1	11
9	2 601 113 612	Manufacturer's nameplate GOP55-36	1	-,-	1	13
10	2 609 100 929	Ball Joint	1	-,-	1	11
12	1 607 233 5BN	Speed governor	1	-,-	1	42
15	2 604 337 120	Brush Holder	1	-,-	2	15
15/2	1 619 P02 809	Spiral Spring	1	-,-	2	10
16	2 609 100 914	Switch Slide	1	-,-	1	10
17	2 609 100 915	Switch Button	1	-,-	1	14
18	2 605 132 079	Brush-Cover	1	-,-	1	12
19	2 605 132 080	Brush-Cover	1	-,-	1	12
20	2 609 100 909	Housing Cover	1	-,-	1	24
24	2 601 328 101	Air-Deflector Ring	1	-,-	1	12
29	2 601 020 017	Sealing cap	1	-,-	1	12
38	2 603 490 016	Torx Oval-Head Screw 3x8	1	-,-	4	11
39	2 603 490 020	Torx Oval-Head Screw 4x8	1	-,-	2	10
40	2 603 490 022	Screw 4x16	1	-,-	4	10
41	2 603 415 225	Torx Oval-Head Screw	1	-,-	4	15
55	2 601 901 025	Lever	1	-,-	1	22
57	2 600 114 083	insulating ferrule	1	-,-	1	12
59	2 601 099 300	Safety Cover	1	-,-	1	11
200	2 601 112 117	Warning Plate	1	-,-	1	13
691	1 605 438 1CV	Box	N/A	-,-	1	28
801	2 605 190 934	Housing Assembly	1	-,-	1	38
803	2 604 011 963	Armature	1	-,-	1	47
803/58	2 600 206 032	Gasket	1	-,-	1	13
808	2 601 113 611	Nameplate	N/A	-,-	1	-
811	1 607 014 17X	Carbon-Brush Set	1	-,-	1	20
845	2 605 806 851	Gear Head	1	-,-	1	48
845/54	2 604 690 068	Torsion Spring	1	-,-	1	11
845/56	2 600 114 091	Insulating Cap	1	-,-	1	11

Item	Part Number	Description	Illustration	Price	Quantity	Price Group
847	2 605 105 972	Cap	1	-,-	1	29

Illustration - Type E



Information subject to change without further notice.