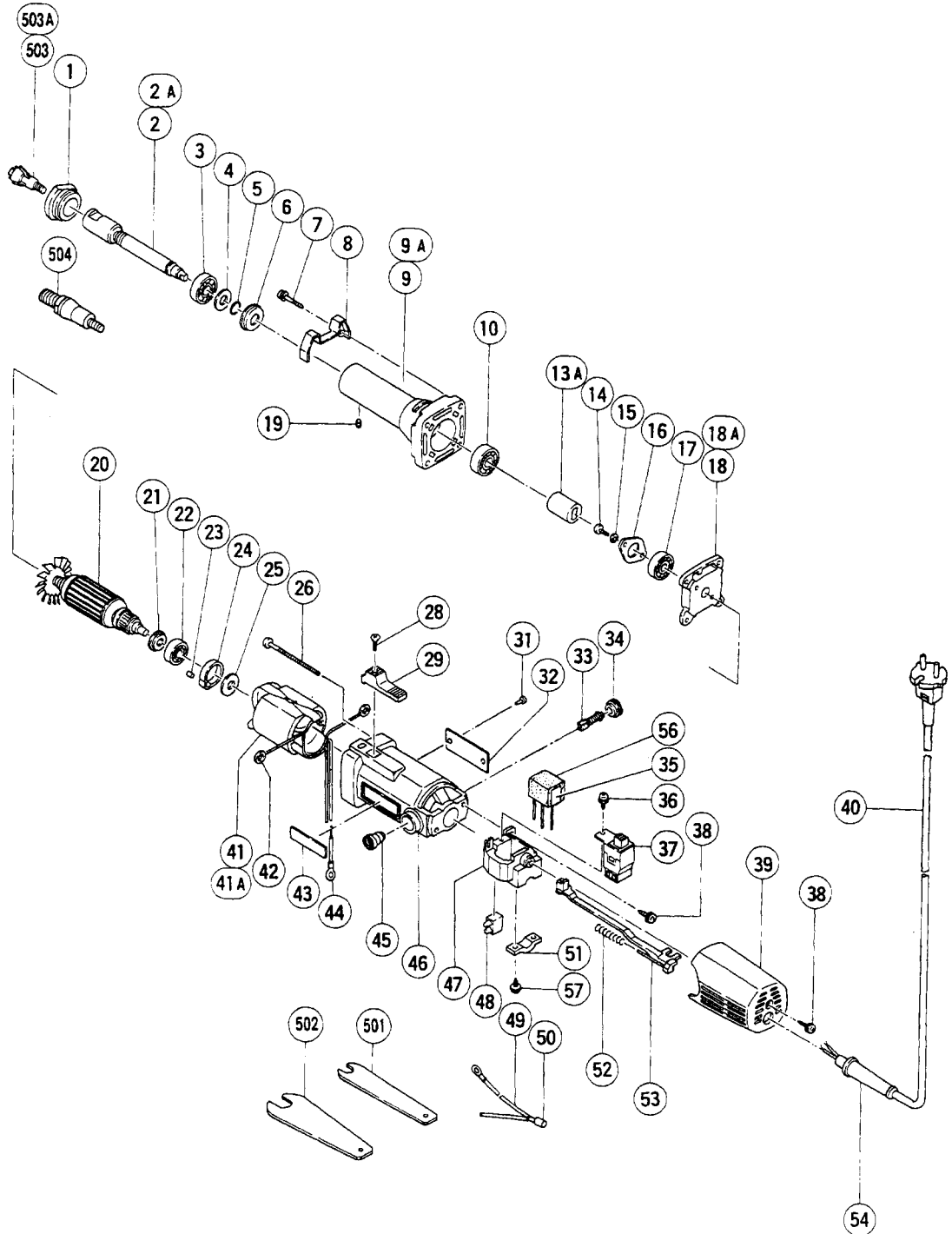


## ELECTRIC TOOL PARTS LIST

■ PORTABLE GRINDER  
Model GP 2

1996 · 4 · 19  
(E5)



## PARTS

GP 2

ITEM NO.	CODE NO.	DESCRIPTION	NO. USED	REMARKS
1	985-130	BEARING LID (B)	1	
2	985-131	SPINDLE	1	TILL 2.1987
2A	985-142	SPINDLE	1	SINCE 3.1987
3	600-1VV	BALL BEARING 6001VVCMP2L	1	
4	932-639	WASHER (B)	1	TILL 2.1987
5	932-617	RING	1	
6	932-638	WASHER (A)	1	TILL 2.1987
7	986-011	TAPPING SCREW (W/SP. WASHER) D5X30	4	
8	982-049Z	GUARD PLATE (B)	1	
9	985-132	NOSE BRACKET	1	TILL 2.1987
9A	985-143	NOSE BRACKET	1	SINCE 3.1987
10	600-0VV	BALL BEARING 6000VVCMP2S	1	
13A	985-140	COUPLING	1	
14	949-216	MACHINE SCREW M4X10 (10 PCS.)	2	
15	949-453	SPRING WASHER M4 (10 PCS.)	2	
16	937-876	BEARING COVER	1	
17	608-VVM	BALL BEARING 608VVMC2EPS2L	1	
* 18	982-047Z	INNER COVER (B)	1	FOR GBR
* 18A	938-206	INNER COVER	1	
19	981-478	HEX. SOCKET SET SCREW M4X4	1	
* 20	985-134U	ARMATURE ASS'Y 110V - 115V	1	INCLUD.17,21,22
* 20	985-134D	ARMATURE 120V - 127V	1	
* 20	985-134E	ARMATURE 220V - 230V	1	
* 20	985-134F	ARMATURE 240V	1	
* 20	360-304C	ARMATURE 110V	1	FOR GBR
* 20	360-008E	ARMATURE 220V - 230V	1	FOR THA
21	980-865	WASHER (A)	1	
22	626-VVM	BALL BEARING 626VVMC2ERPS2S	1	
23	931-701	BEARING LOCK	1	
24	982-023	BEARING BUSHING	1	
25	985-137	STOP PLATE	1	
26	982-021	HEX. HD. TAPPING SCREW D4X70	2	
28	949-323	FLAT HD. SCREW M4X12 (10 PCS.)	1	
29	938-312	SLIDE KNOB (B)	1	
31	932-642	RIVET D2.5X2.8	2	
32		NAME PLATE	1	
* 33	999-021	CARBON BRUSH (1 PAIR)	2	
* 33	999-084	CARBON BRUSH (AUTO STOP TYPE) (1 PAIR)	2	FOR USA
34	937-847	BRUSH CAP	2	
* 35	994-273	NOISE SUPPRESSOR	1	
36	982-034	TAPPING SCREW (W/WASHER) D4X12	1	
37	980-778	SLIDE SWITCH (2P PILLAR TYPE)	1	
38	930-446	TAPPING SCREW (W/WASHER) D4X16	3	
39	982-035	TAIL COVER	1	
* 40	500-201Z	CORD	1	(CORD ARMOR D10.1)
* 40	500-223Z		1	(CORD ARMOR D10.1) FOR SIN,KUW
* 40	500-226Z	CORD	1	(CORD ARMOR D8.8) FOR NGU,NZL,AUS
* 40	500-234Z	CORD	1	(CORD ARMOR D8.8)
* 40	500-237Z	CORD	1	(CORD ARMOR D8.8) FOR GBR,SAF
* 40	500-240Z	CORD	1	(CORD ARMOR D8.8) FOR USA,CAN
* 40	500-245Z	CORD	1	(CORD ARMOR D10.1) FOR SYR

\*: ALTERNATIVE PARTS

**PARTS**

GP 2

ITEM NO.	CODE NO.	DESCRIPTION	NO. USED	REMARKS
* 40	500-247Z	CORD	1	(CORD ARMOR D10.1) FOR HOL,DEN,FIN,SWE. AUT
* 40	500-248Z	CORD	1	(CORD ARMOR D10.1) FOR SUI
* 40	500-409Z	CORD	1	(CORD ARMOR D8.8) FOR CHN
* 41	985-133C	STATOR ASS'Y 110V - 115V	1	INCLUD.42
* 41	985-133D	STATOR ASS'Y 120V - 127V	1	INCLUD.42
* 41	985-133E	STATOR ASS'Y 220V - 230V	1	INCLUD.42
* 41	985-133F	STATOR ASS'Y 240V	1	INCLUD.42
* 41	985-133K	STATOR ASS'Y 115V	1	INCLUD.42 FOR USA,CAN
* 41	985-133H	STATOR ASS'Y 220V - 230V	1	INCLUD.42 FOR SAF,FIN
* 41	985-133L	STATOR ASS'Y 220V	1	INCLUD.42 FOR THA
* 41	985-133J	STATOR ASS'Y 230V - 240V	1	INCLUD.42 FOR NZL
* 41	985-133G	STATOR ASS'Y 110V	1	INCLUD.42 FOR GBR
* 41A	985-133M	STATOR ASS'Y 220V - 230V	1	INCLUD.42 FOR ITA,FRG,BEL,FRA,HOL,DEN, SWE,AUT,SUI,ESP,POR,GBR
42	931-867	BRUSH TERMINAL	2	
43	957-561	HITACHI LABEL	1	
* 44	980-063	TERMINAL	1	FOR NZL,GBR,SAF,ITA,FRG,FRA,HOL,DEN,SWE. AUT
* 44	959-144	TERMINAL 50051 (10 PCS.)	1	FOR SUI
45	937-846	BRUSH HOLDER	2	
46	982-020	HOUSING ASS'Y	1	INCLUD.45
* 47	982-044	SWITCH HOLDER	1	
* 47	982-045Z	SWITCH HOLDER	1	FOR SUI
* 48	938-307	PILLAR TERMINAL	1	FOR FIN
* 49	982-303	INTERNAL WIRE	1	FOR FIN
50	981-373	TUBE (D)	2	
* 51	960-286	CORD CLIP	1	
* 51	308-094	CORD CLIP	1	FOR CHN
52	938-299	SPRING	1	
53	982-033	SLIDE BAR	1	
* 54	953-327	CORD ARMOR D8.8	1	
* 54	938-051	CORD ARMOR D10.1	1	
* 56	930-153	SUPPORT (B)	1	
57	984-750	TAPPING SCREW (W/FLANGE) D4X16	2	

**STANDARD ACCESSORIES**

ITEM NO.	CODE NO.	DESCRIPTION	NO. USED	REMARKS
501	936-553	WRENCH 12MM	1	
502	936-638	WRENCH 17MM	1	
* 503	932-627	COLLET CHUCK 6MM	1	
* 503A	932-666Z	COLLET CHUCK 1/4"	1	FOR GBR,USA,CAN
* 504	985-138	WHEEL SHAFT	1	FOR THA

\*: ALTERNATIVE PARTS

