

Batt-Oper Screwdriver - 0 601 936 7A5 - GSR 7,2 VE...

www.powertools-aftersaleservice.com



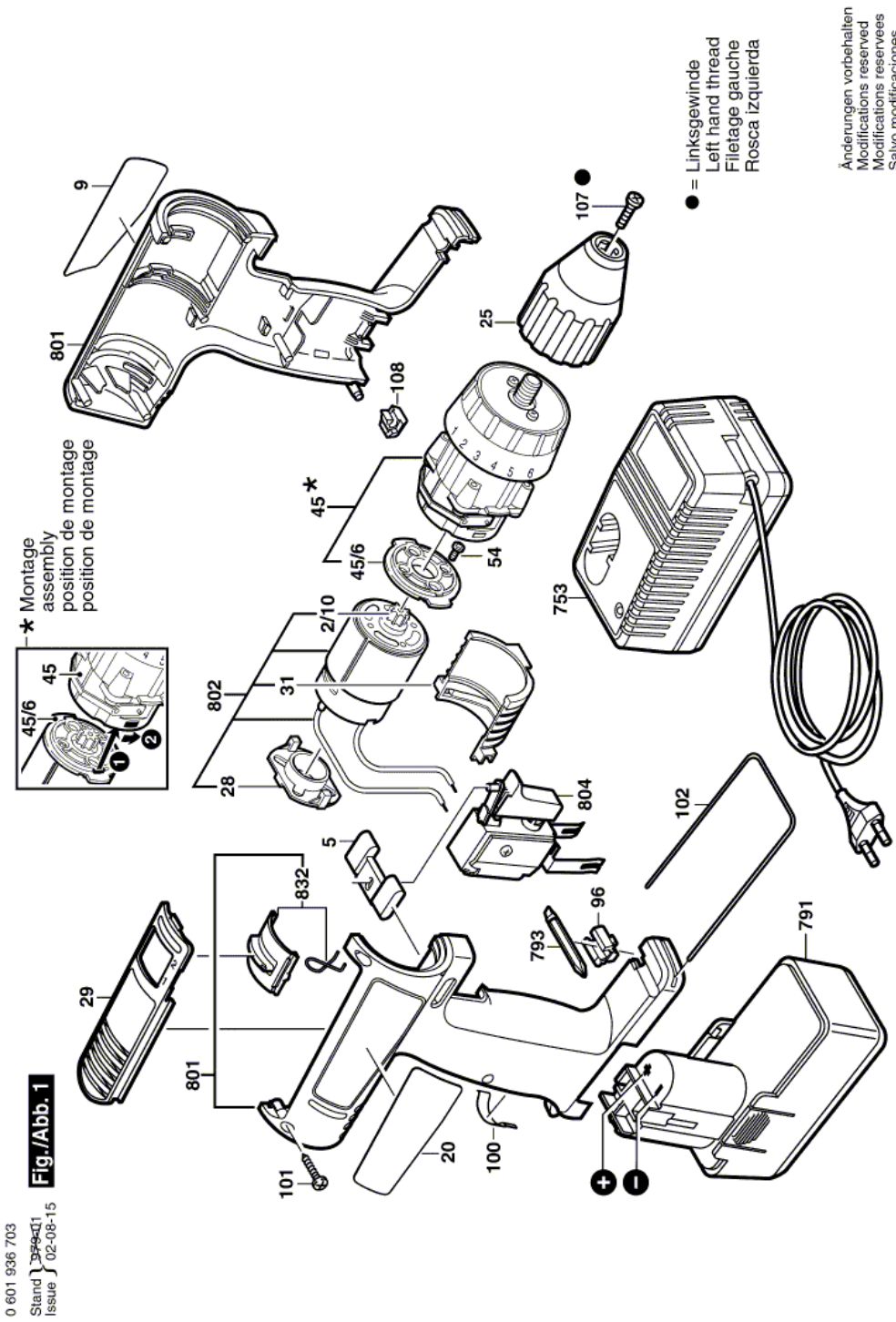
BOSCH

Item	Part Number	Description	Illustration	Price	Quantity	Price Group
2/10	2 606 316 161	Pinion Z=12	1	-,-	1	15
5	2 601 099 055	Adjusting Slide RED	1	-,-	1	15
9	2 601 118 479	Manufacturer's nameplate SUNNY SIDE	1	-,-	1	14
20	2 601 118 480	Reference Plate SHADOW SIDE	1	-,-	1	14
25	2 608 572 214	Keyless Chuck	1	-,-	1	38
28	2 605 719 018	Adapter Insert BLACK	1	-,-	1	11
29	2 605 510 130	Insert Piece BLACK	1	-,-	1	15
31	2 608 040 098	Inserted Part	1	-,-	1	13
45	2 606 200 065	Planetary Gear Train	1	-,-	1	39
45/6	2 605 719 008	Intermediate Flange	1	-,-	1	15
54	2 603 414 048	Torx SH cap screw M3x5-8.8-Z	1	-,-	2	11
96	2 608 040 131	Support	1	-,-	1	12
100	2 601 322 016	Clamp Spring	1	-,-	1	14
101	2 603 490 018	Torx Oval-Head Screw 3x18	1	-,-	6	10
102	2 601 329 041	Retaining Bracket	1	-,-	1	11
107	2 609 110 721	Countersunk-Head Screw M5x20	1	-,-	1	11
108	2 602 180 001	Support	1	-,-	1	11
753	2 607 224 431	Fast Charger USA 120/7,2-24V, 1h	1	-,-	1	48
753	2 607 224 708	Fast Charger USA 120/7,2-14,4V, 30 MIN.	1	-,-	1	-
791	2 607 335 150	Accumulator Battery 7,2V,2,0Ah,NiCd	1	-,-	1	-
793	2 608 521 018	Screwdriver Blade	1	-,-	1	18
801	2 605 104 824	Housing Section BLUE	1	-,-	1	26
802	2 607 022 945	DC motor 7,2V	1	-,-	1	32
804	2 607 200 353	On-Off Switch	1	-,-	1	39
832	2 601 099 126	Adjusting Slide	1	-,-	1	23
899	0 601 936 723	Batt-Oper Screwdriver BATTERY WITHOUT CHARGER	N/A	-,-	1	-

Product information Batt-Oper Screwdriver - 0 601 936 7A5 - GSR 7,2 VES-2

Product No	0 601 936 7A5
Description	254.053; Batt-Oper Screwdriver
DIN-Text	
ID_Text_Ext	0
Trading_Description	GSR 7,2 VES-2
Voltage_1	7,2 V
ID_Country_Product	USA

Illustration - Type E



Information subject to change without further notice.