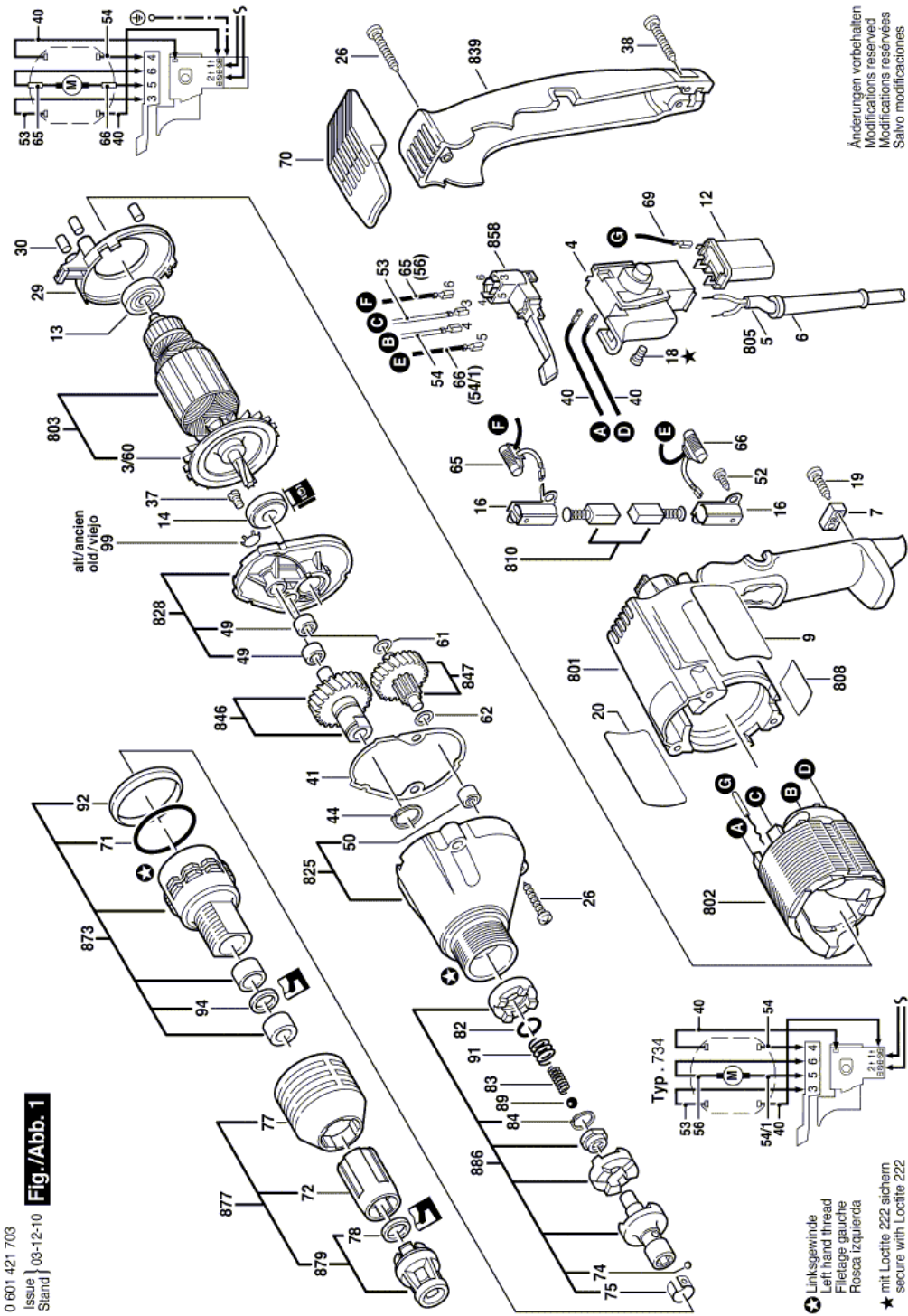


Illustration - Type E



Information subject to change without further notice.

Drill Screwdriver - 0 601 421 703 - GSR 6-25 TE

www.powertools-aftersaleservice.com



BOSCH

Item	Part Number	Description	Illustration	Price	Quantity	Price Group
3/60	1 606 610 116	Fan	1	-,-	1	14
4	2 607 200 202	Switch	1	-,-	1	35
6	2 600 703 012	Grommet Ø6,5-Ø6,9x95 MM	1	-,-	1	13
7	2 601 035 001	Cable Clip	1	-,-	1	11
9	2 601 116 667	Manufacturer's nameplate	1	-,-	1	17
12	2 607 329 114	Suppression Filter	1	-,-	1	20
13	1 900 905 018	groove ball bearing 7x22x7	1	-,-	1	29
14	2 600 905 095	groove ball bearing 9x24x7	1	-,-	1	24
16	2 604 337 003	Brush Holder	1	-,-	2	12
18	2 603 410 001	Socket head cap screw M3x6,5-4.8	1	-,-	2	11
19	2 603 490 022	Torx Oval-Head Screw 4x16	1	-,-	2	10
20	9 920 490 130	Reference Plate	1	-,-	1	15
26	2 603 490 025	Torx Oval-Head Screw 4x30	1	-,-	4	10
29	3 600 590 505	Cover Disc	1	-,-	1	12
30	3 602 391 503	Rubber-Inter Calation	1	-,-	3	11
37	2 603 410 048	Thread-forming tap. Screw M4x8	1	-,-	2	11
38	2 603 490 023	Torx Oval-Head Screw 4x20	1	-,-	2	10
40	2 604 448 005	Cable L=130 MM WHITE	1	-,-	2	11
41	3 601 016 502	Flat Seal Ring	1	-,-	1	16
44	2 916 650 003	Spring retaining ring DIN 471-12x1-FSt	1	-,-	1	10
49	2 600 917 004	Needle bearing	1	-,-	2	15
50	1 610 910 057	Needle bearing Ø8xØ12x10 MM	1	-,-	1	14
52	2 603 490 017	Torx Oval-Head Screw 3x10	1	-,-	4	10
53	2 604 448 074	Connecting Cable L=98 MM BLACK	1	-,-	1	11
54	2 604 448 100	Connecting Cable L=68 MM WHITE	1	-,-	1	11
61	2 600 100 628	Shim 0,5 MM	1	-,-	1	11
62	2 600 101 654	Shim 0,3 MM	1	-,-	1	11
65	2 604 465 086	Suppression Filter L=148 MM BLACK	1	-,-	1	18
66	2 604 465 097	Suppression Filter L=126 MM WHITE	1	-,-	1	18
69	2 604 448 097	Earth Conductor	1	-,-	1	12
70	3 600 690 503	Clip BLACK	1	-,-	1	22
71	2 600 210 043	O-Ring	1	-,-	1	11
72	3 600 360 505	Spacer Sleeve BLACK	1	-,-	1	21

Item	Part Number	Description	Illustration	Price	Quantity	Price Group
74	1 903 230 006	Ball DIN 5401-3,5 MM-III-ST	1	-,-	1	10
75	3 600 034 504	Ball Support	1	-,-	1	14
77	3 600 390 502	Locking Ring BLACK	1	-,-	1	22
78	3 600 290 502	Seal ring	1	-,-	1	15
82	3 600 200 516	Retaining ring	1	-,-	1	12
83	3 604 613 507	Spring	1	-,-	1	12
84	3 600 118 502	Spring retaining ring	1	-,-	1	12
89	1 903 230 011	Ball DIN 5401-6 G28	1	-,-	1	10
91	3 604 613 506	Spring	1	-,-	1	12
92	3 600 113 506	Insulating Sleeve GRAY	1	-,-	1	13
94	3 600 290 503	Seal ring	1	-,-	1	14
99	3 600 171 504	Locking Washer	1	-,-	1	12
801	3 605 108 557	Motor Housing DARK BLUE	1	-,-	1	31
802	2 604 220 526	Field 230-240V	1	-,-	1	30
803	2 604 010 803	Armature 230V	1	-,-	1	40
805	1 607 000 386	Power supply cord EU 230V 4,15m 2 x 1,0mm H05 RN-F	1	-,-	1	29
808	1 601 106 032	Nameplate 26x52 MM	1	-,-	1	13
810	2 604 321 905	Carbon-Brush Set	1	-,-	1	23
825	3 605 190 518	Gear Housing BLACK	1	-,-	1	35
828	3 605 806 537	Bearing Bracket	1	-,-	1	32
839	3 605 133 521	Housing Cover DARK BLUE	1	-,-	1	21
846	3 606 120 566	Drive Shaft Z=33	1	-,-	1	32
847	3 606 319 522	Toothed Shaft Z=41/17	1	-,-	1	35
858	2 607 200 231	Change-Over Switch	1	-,-	1	25
873	3 605 190 520	Clutch	1	-,-	1	32
877	3 600 552 509	Depth-Gauge	1	-,-	1	31
879	3 600 552 505	Depth-Gauge	1	-,-	1	-
886	3 606 441 503	Clutch	1	-,-	1	40