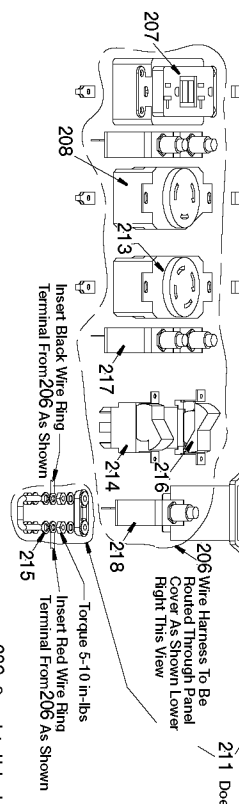


Attach Speed Clips Prior To Assembly 205 Of Devices To Face Plate

These Clips Do Not Snap On This Device They Are On The Back Side Of Device Orient To Read As Shown 212

211 Does Not Include 215

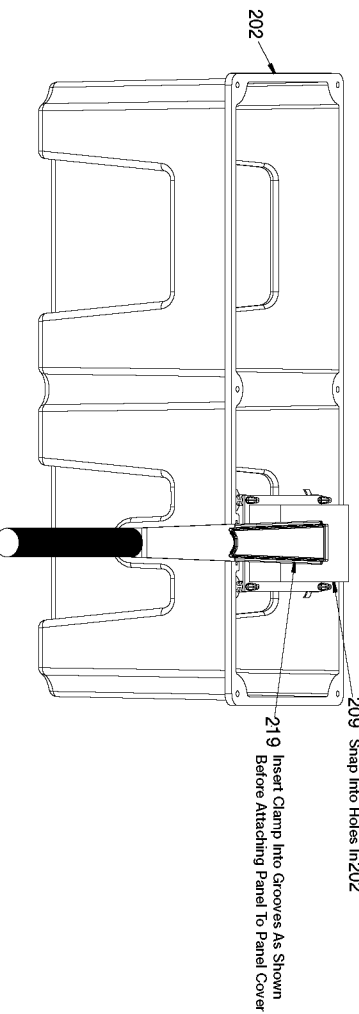


206 Wire Harness To Be Routed Through Panel Cover As Shown Lower Right This View

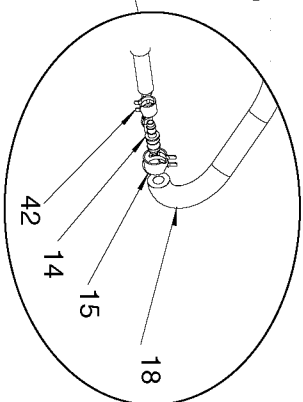
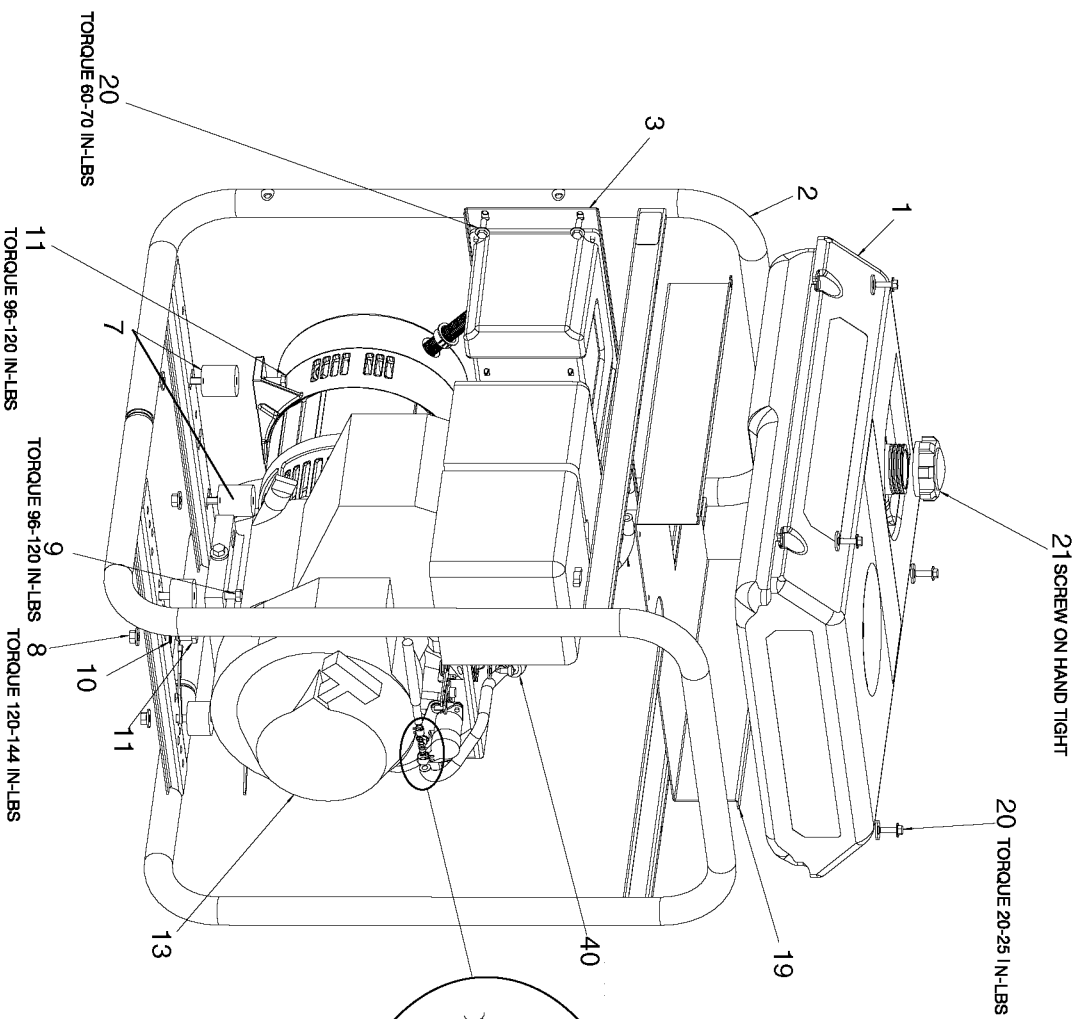
Torque 5-10 in-lbs Insert Red Wire Ring Terminal From 206 As Shown

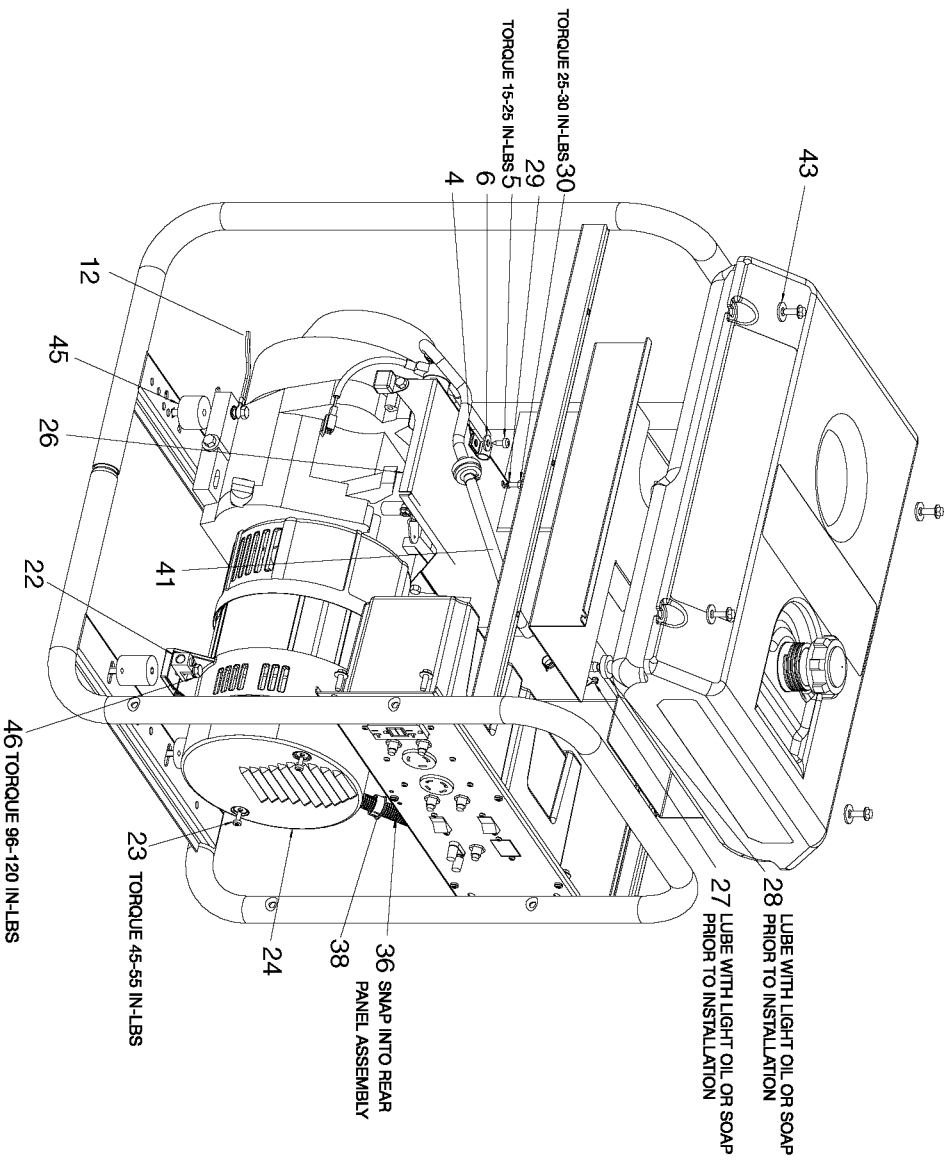
Insert Black Wire Ring Terminal From 206 As Shown

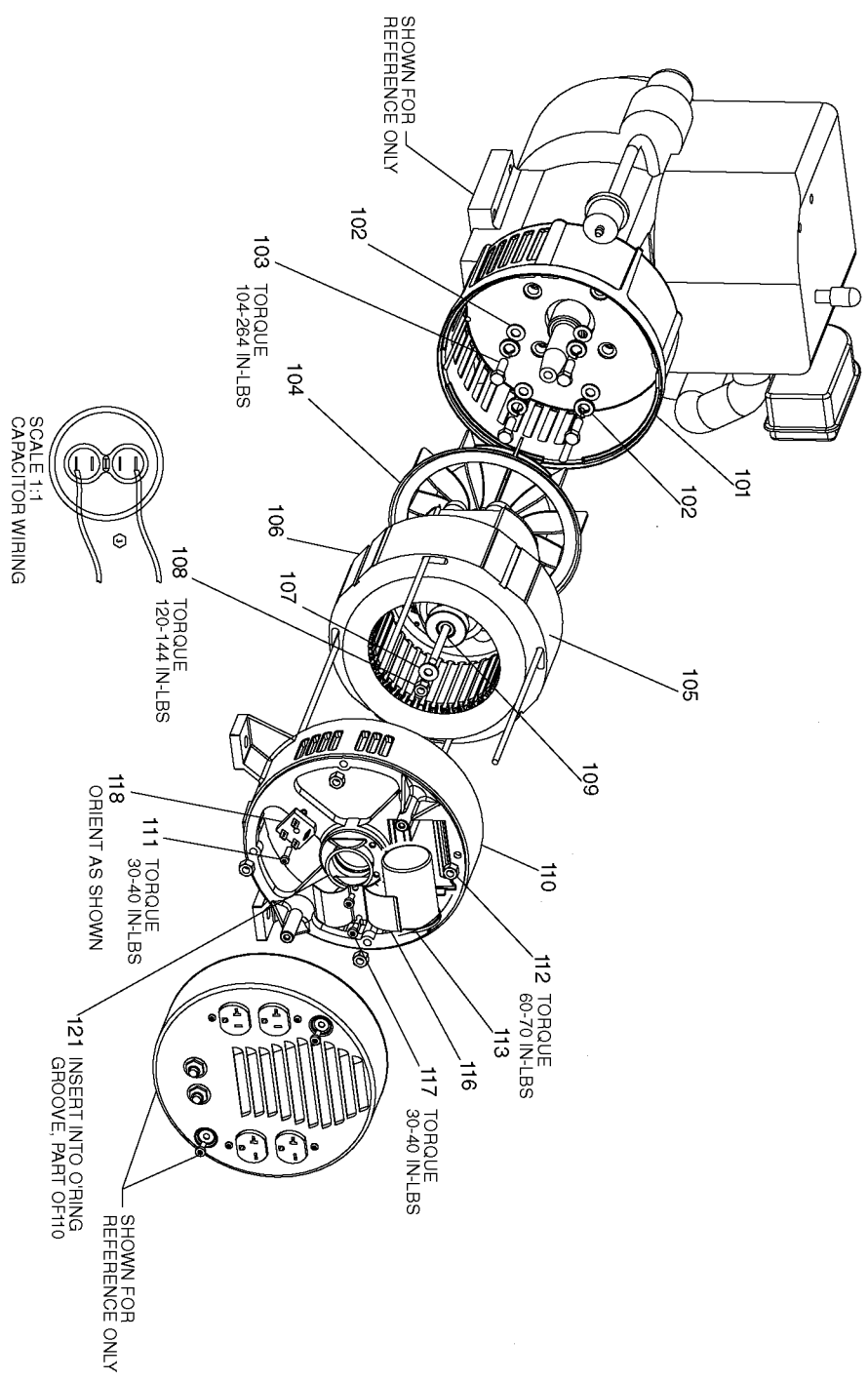
209 Snap Into Holes In 202



219 Insert Clamp Into Grooves As Shown Before Attaching Panel To Panel Cover







Parts List for H450CS Type 1

Item Number	Part Number	Description	Qty Required
1	Z-GS-0795	TANK FUEL 7G SS	1
2	000000-00	No Longer Available	1
3	000000-00	No Longer Available	1
4	000000-00	No Longer Available	1
4	000000-00	No Longer Available	1
5	SSF-621	SCREW .250-14X.625 F	1
6	330016-13	WASHER	1
7	GS-0433	ISOLATOR	1
8	SSF-8150	NUT .312-18 UNC HEX	1
9	N002562	SCREW	1
10	N017772	LOCK WASHER	1
11	SS-12-CD	SCREW .313-18X.750 H	1
12	GS-0118	STRAP GROUND	1
13	000000-00	No Longer Available	1
14	GS-0535	UNION REDUCER 1/4 X	1
15	GS-0227	CLAMP FUEL .50	1
18	Z-A14582	HOSE FUEL	1
19	D24273	SHIELD HEAT BSV GHC	1
20	91895680	SCREW .250-20X.750 H	1
21	GS-0443	CAP FUEL TANK	1
22	GS-0117	LUG GROUND	1
23	SSF-553-1	SCREW #10-24X.563 TH	1
24	GS-0077	COVER END BLANK	1
26	000000-00	No Longer Available	1
27	GS-0437	DRAIN COCK	1
28	N103455	GROMMET	1
29	SSN-626	WASHER LOCKING #10	1

Parts List for H450CS Type 1

Item Number	Part Number	Description	Qty Required
30	SSF-627	SCREW M5X8.5X12 HEX	1
36	000000-00	No Longer Available	1
38	GS-0199	BUSHING SNAP 1 OD	1
40	GS-0459	FILTER FUEL	1
41	Z-A14582	HOSE FUEL	1
42	GS-0560	CLAMP HOSE .301 ID	1
43	SSN-632	WASHER .875 OD .375	1
45	GS-0033	ISOLATOR VIBRATION 1	1
46	D22311	SCREW .313-18X.875 U	1
101	000000-00	No Longer Available	1
102	SSN-619	WASHER .375 SPRING L	1
103	SSF-577	SCREW .375-16X1.00 H	1
104	D29822	KIT SERVICE FOCUS MO	1
104	Z-D27809	ASSY GEN 3.255 2D IC	1
105	GS-0110	BOLT STATOR THRU 130	1
106	D29822	KIT SERVICE FOCUS MO	1
106	Z-D27809	ASSY GEN 3.255 2D IC	1
107	330016-13	WASHER	1
108	SSF-576	NUT .313-24 HEX W/KE	1
109	GS-0091-1	BOLT ROTOR THRU 130L	1
110	Z-GS-0861	KIT ORING BEARING SU	1
111	SSF-3158-1	SCREW #10-24X.750 TH	1
112	SSF-575	NUT .250-20 HEX W/KE	1
113	GS-0873	CAPACITOR 25UF 3% 37	1
116	GS-0595	BRACKET CAPACITOR 2.	1
117	SSF-553-1	SCREW #10-24X.563 TH	1
118	GS-0767	RECTIFIER	1

Parts List for H450CS Type 1

Item Number	Part Number	Description	Qty Required
121	GS-0862	O-RING ROTOR BEARING	1
201	000000-00	No Longer Available	1
202	000000-00	No Longer Available	1
203	SSF-3156	SCREW #10-9X.500 THD	1
204	SSF-583	SCREW #6-32X.500 PAN	1
205	SSF-584	NUT #6-32 SPEED SELF	1
206	000000-00	No Longer Available	1
207	GS-0644	RECEPTACLE GFCI 120V	1
208	GS-0480	RECEPTACLE 125V 20A	1
209	N080007	BOARD ASSY	1
210	SSF-595	NUT .438-28 UNEF HEX	1
211	Z-GS-0728	ASSY BINDING POST SS	1
212	GS-0735	METER HOUR	1
213	GS-0445	RECEPTACLE 4 PRONG T	1
214	GS-0679	SWITCH IDLE CONTROL	1
215	GS-0835	ASSY RESISTOR DC SHU	1
216	GS-0045	SWITCH FULL POWER	1
217	Z-GS-0024	BREAKER CIRCUIT 125/	1
218	GS-0681	BREAKER CIRCUIT	1
219	D26113	CLAMP MOLDED STRESS	1