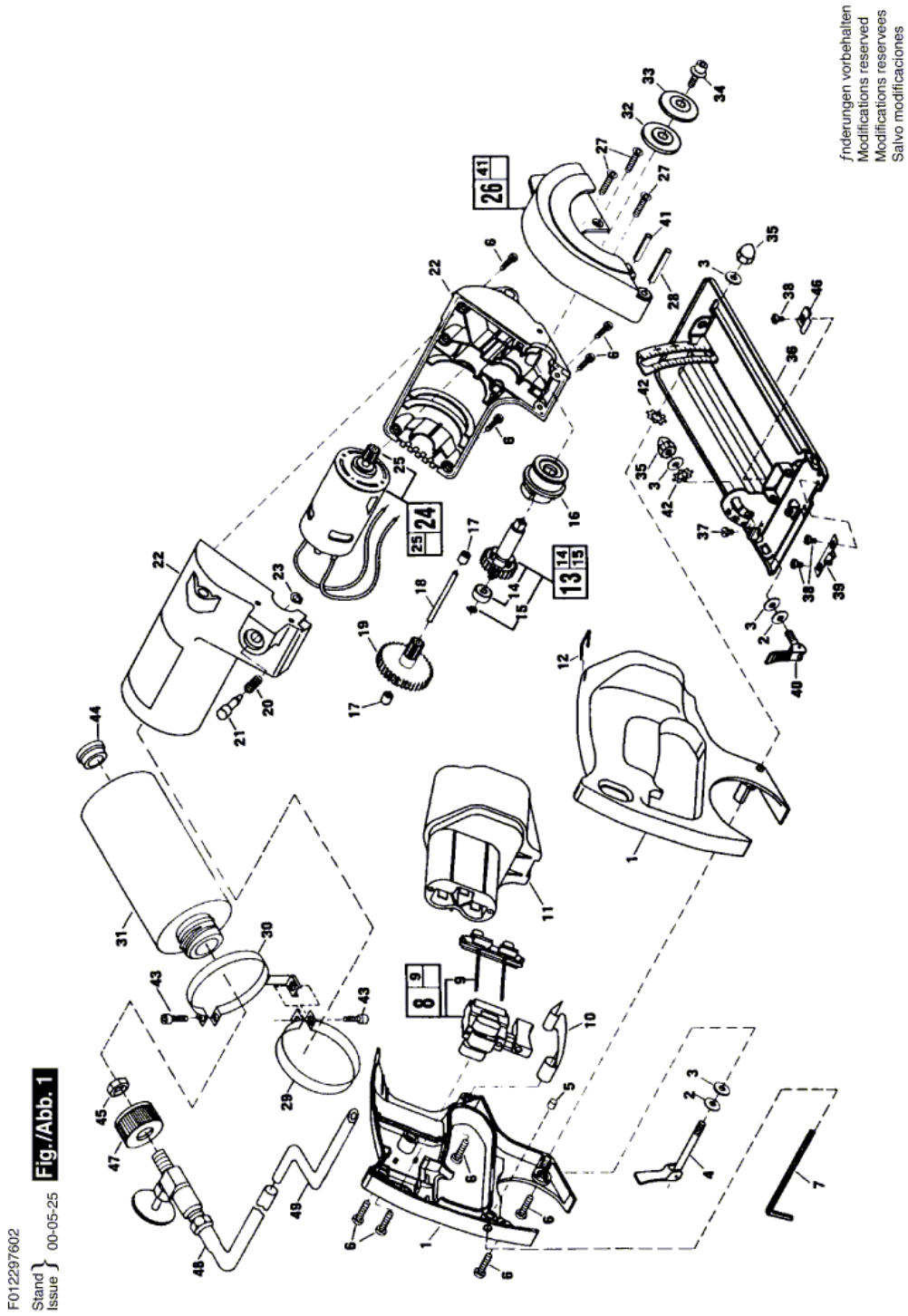


Circular hand saw - F 012 297 602 - HD 2976 TYPE 1

Item	Part Number	Description	Illustration	Price	Quantity	Price Group
1	2 610 905 350	Set Of Handles	1	-,-	1	23
2	2 610 357 558	Spring Washer	1	-,-	1	11
3	2 610 356 519	Washer	1	-,-	1	11
4	2 610 357 562	Lever	1	-,-	1	17
5	2 610 028 780	Plug	1	-,-	1	11
6	2 610 350 996	Screw	1	-,-	11	11
7	1 619 P01 540	Hexagon Socket Wrench	1	-,-	1	11
8	2 610 357 554	Switch	1	-,-	1	22
9	2 610 356 542	Connector	1	-,-	1	16
10	2 610 351 018	Latch	1	-,-	1	13
11	2 610 904 786	Battery Set 12V/120V	1	-,-	1	-
12	2 610 351 046	Support	1	-,-	1	13
13	2 610 356 536	Gear	1	-,-	1	29
14	2 615 296 576	Bearing	1	-,-	1	20
15	2 610 356 520	Ring	1	-,-	1	11
16	2 610 356 539	Bearing cover	1	-,-	1	25
17	2 610 327 762	Bearing	1	-,-	1	13
18	2 610 356 527	Pin	1	-,-	1	11
19	2 610 356 510	Toothed Gear	1	-,-	1	20
20	1 619 P01 531	Spring	1	-,-	1	11
21	2 610 356 516	Plug	1	-,-	1	13
22	2 610 905 353	Housing	1	-,-	1	23
23	2 610 021 862	Ring	1	-,-	1	11
24	2 610 356 521	Motor 12V	1	-,-	1	33
25	2 610 350 962	Pinion	1	-,-	1	11
26	2 610 357 566	Upper Housing	1	-,-	1	-
27	2 610 356 513	Screw	1	-,-	1	11
28	2 610 356 524	Pin	1	-,-	1	11
29	2 610 357 568	Clamp	1	-,-	1	15
30	2 610 357 567	Clamp	1	-,-	1	21
31	2 610 357 577	Bottle	1	-,-	1	17
32	2 610 356 506	Inner Disc	1	-,-	1	14
33	2 610 357 591	Flange	1	-,-	1	13

Item	Part Number	Description	Illustration	Price	Quantity	Price Group
34	2 610 357 589	Screw	1	-,-	1	17
35	2 610 345 392	Nut	1	-,-	1	11
36	2 610 356 540	Base Plate	1	-,-	1	-
37	2 610 357 583	Screw	1	-,-	1	11
38	2 610 357 582	Screw	1	-,-	1	11
39	2 610 357 595	Adjusting Plate	1	-,-	1	11
40	2 610 357 561	Lever	1	-,-	1	17
41	2 610 357 581	Pin	1	-,-	1	11
42	2 610 026 248	Washer	1	-,-	1	11
43	2 610 004 075	Screw	1	-,-	1	11
44	2 610 357 560	Plug	1	-,-	1	14
45	2 610 357 576	Nut	1	-,-	1	15
46	2 610 357 556	Support	1	-,-	1	13
47	2 610 357 578	Cover	1	-,-	1	13
48	2 610 357 565	Valve bottom	1	-,-	1	32
49	2 610 357 557	Pipe	1	-,-	1	19

Illustration - Type E



Information subject to change without further notice.