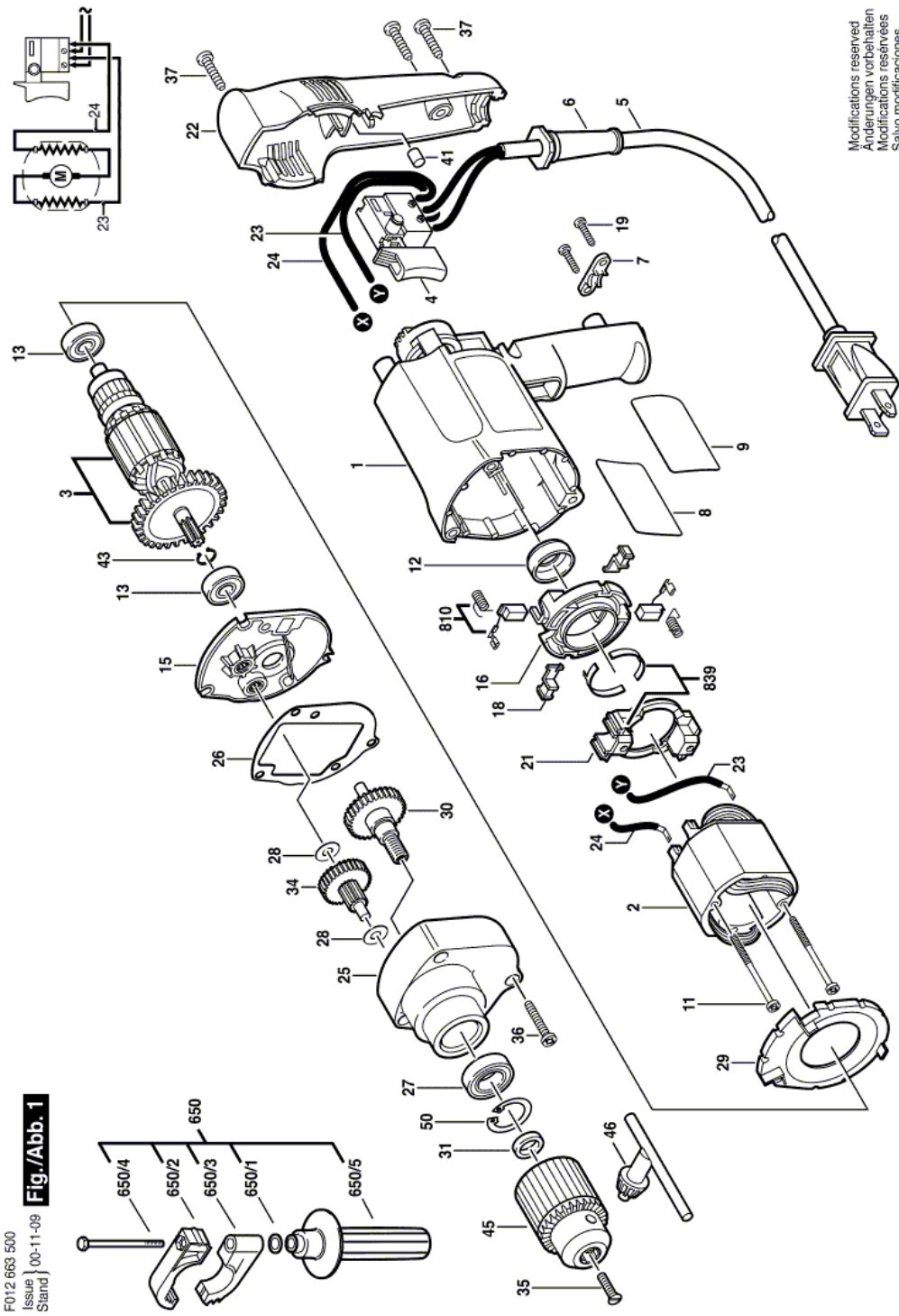


Drill - F 012 663 500 - HD 6635 TYPE 1

Item	Part Number	Description	Illustration	Price	Quantity	Price Group
1	2 610 905 362	Housing	1	-,-	1	26
2	2 610 353 997	Field 120V	1	-,-	1	30
3	2 610 348 589	Armature 120V	1	-,-	1	-
4	2 610 910 313	On-Off Switch	1	-,-	1	34
5	2 610 350 903	Power supply cord	1	-,-	1	27
6	2 610 313 327	Grommet	1	-,-	1	14
7	2 610 064 973	Cable Grip	1	-,-	1	11
8	2 610 904 558	Nameplate	1	-,-	1	-
9	2 610 904 554	Label	1	-,-	1	-
11	2 610 348 628	Screw	1	-,-	2	11
12	1 619 P01 127	Rubber Ring	1	-,-	1	10
13	2 610 351 861	Ball Bearing	1	-,-	2	23
15	2 610 348 595	Bearing cover	1	-,-	1	25
16	2 610 348 614	Carrier	1	-,-	1	21
18	2 610 909 603	Lever	1	-,-	2	11
19	2 610 315 386	Screw ST3,9x19	1	-,-	2	11
21	2 610 348 613	Carrier	1	-,-	1	14
22	2 610 905 360	Set Of Handles	1	-,-	1	15
23	2 610 038 649	Cable 240 MM RED	1	-,-	1	13
24	2 610 038 676	Connecting Cable 205 MM BLUE	1	-,-	1	-
25	2 610 348 597	Gear Housing	1	-,-	1	-
26	2 610 348 570	Seal	1	-,-	1	11
27	2 610 015 747	Ball Bearing	1	-,-	1	26
28	2 610 348 611	Washer	1	-,-	2	11
29	2 610 348 586	Baffle	1	-,-	1	13
30	2 610 348 573	Spindle 3/8"	1	-,-	1	-
31	2 610 348 557	Shim washer	1	-,-	1	13
34	2 610 348 579	Toothed Gear	1	-,-	1	32
35	2 610 346 444	Screw	1	-,-	1	11
36	2 610 348 621	Screw	1	-,-	3	11
37	2 610 348 622	Screw	1	-,-	3	11
41	2 610 028 780	Plug	1	-,-	1	11
43	2 610 931 268	Retaining snap ring	1	-,-	1	-

Item	Part Number	Description	Illustration	Price	Quantity	Price Group
45	2 610 350 947	Key Chuck 3/8"	1	-,-	1	37
46	2 610 308 333	Key	1	-,-	1	-
50	2 610 348 646	Ring	1	-,-	1	11
650	2 610 096 340	Auxiliary Handle	1	-,-	1	-
650/1	2 610 023 622	Washer	1	-,-	1	11
650/2	2 610 346 537	Clamp	1	-,-	1	-
650/3	2 610 346 538	Clamp	1	-,-	1	-
650/4	2 610 348 612	Screw	1	-,-	1	-
650/5	2 610 348 636	Handle	1	-,-	1	-
810	2 610 353 931	Carbon-Brush Set	1	-,-	1	22
839	2 610 350 352	Contact Breaker	1	-,-	1	15

Illustration - Type E



Information subject to change without further notice.