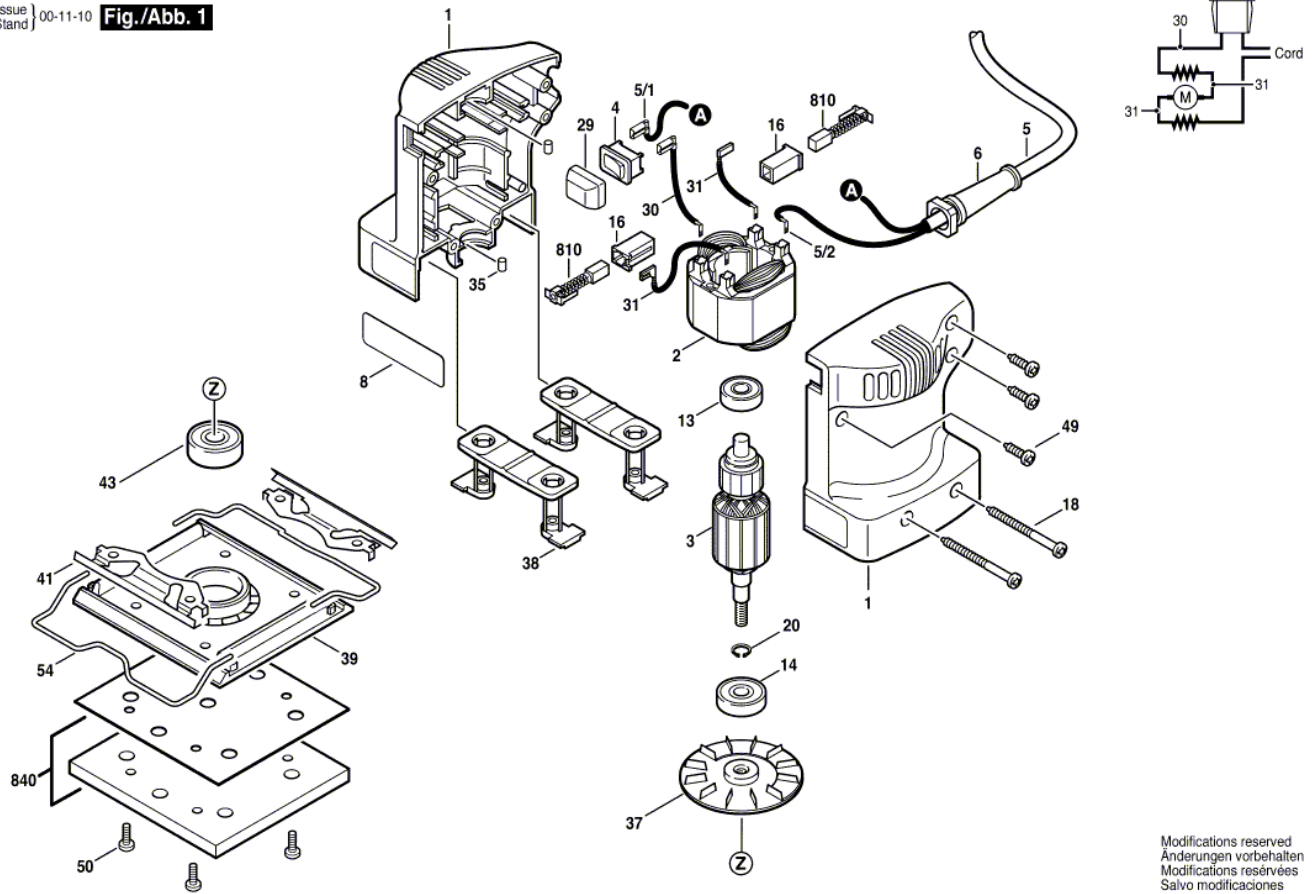


F012 757 54A
 Issue 1 00-11-10
 Stand } **Fig./Abb. 1**



Modifications reserved
 Änderungen vorbehalten
 Modifications réservées
 Salvo modificaciones

Pos.	Part Number	Description	Pos.	Part Number	Description
1	2 610 993 891	Motor Housing			
2	2 610 352 766	Field			
3	2 610 352 765	Armature			
4	2 610 910 115	Switch			
5	2 610 352 776	Power supply cord			
5/1	2 610 352 788	Terminal			
5/2	2 610 318 744	Terminal			
6	2 610 313 327	Grommet			
8	2 610 995 442	Reference Plate			
13	2 610 351 861	Ball Bearing			
14	1 619 P01 511	Deep-Groove Ball Bearing			
16	2 610 320 548	Carbon Brush Holder			
18	1 619 P01 508	Screw			
20	2 610 931 268	Retaining snap ring			
29	2 610 352 763	Bell			
30	2 610 038 610	Cable			
31	2 610 038 852	Connecting Cable			
35	2 610 350 103	Rubber Buffer			
37	2 610 352 751	Fan			
38	2 610 902 931	Base			
39	2 610 902 933	Swing-Plate			
41	2 610 902 932	Lever			
43	2 610 042 699	Bearing			
49	1 619 X00 504	Screw			
50	2 610 352 771	Screw			
54	2 610 352 839	Lever			
810	2 610 321 617	Carbon-Brush Set			
840	2 610 352 840	Base Support			