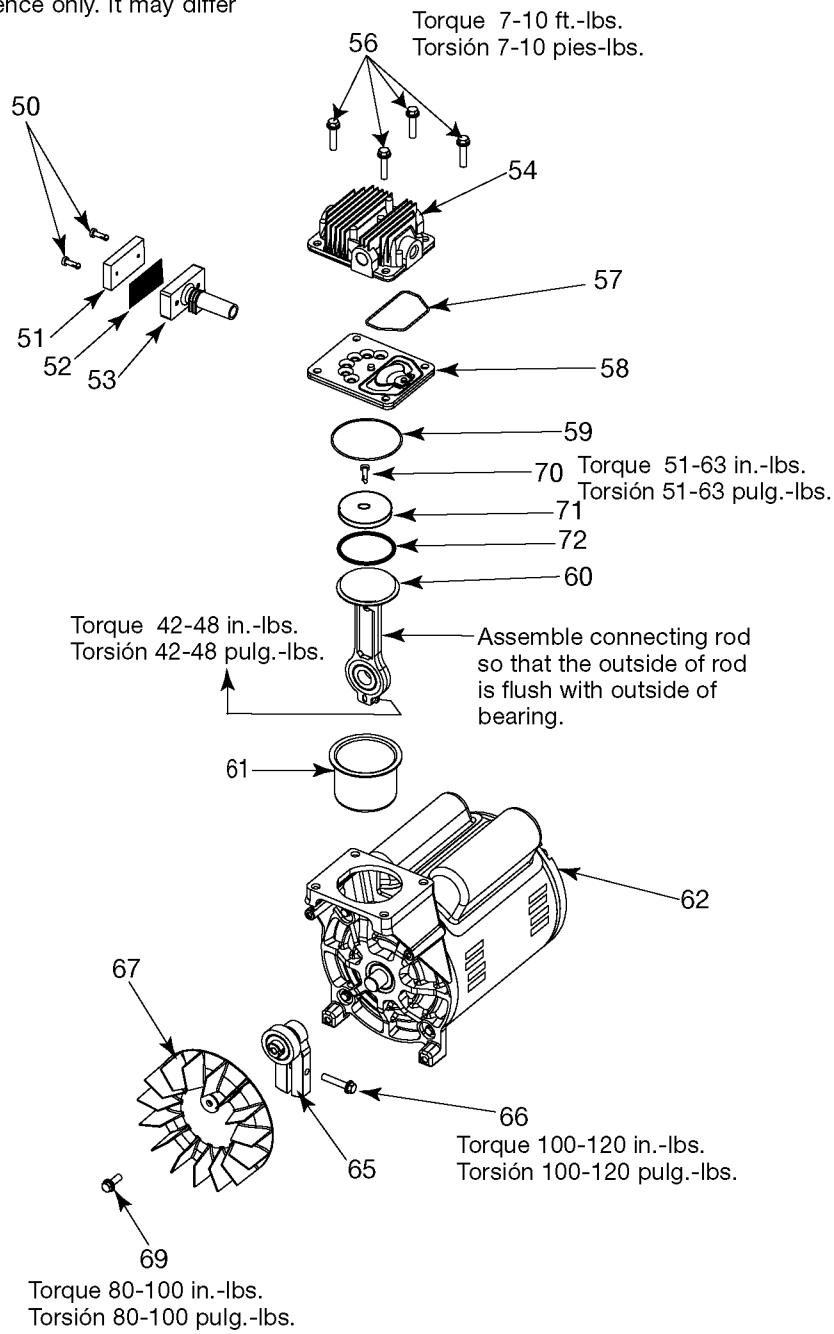
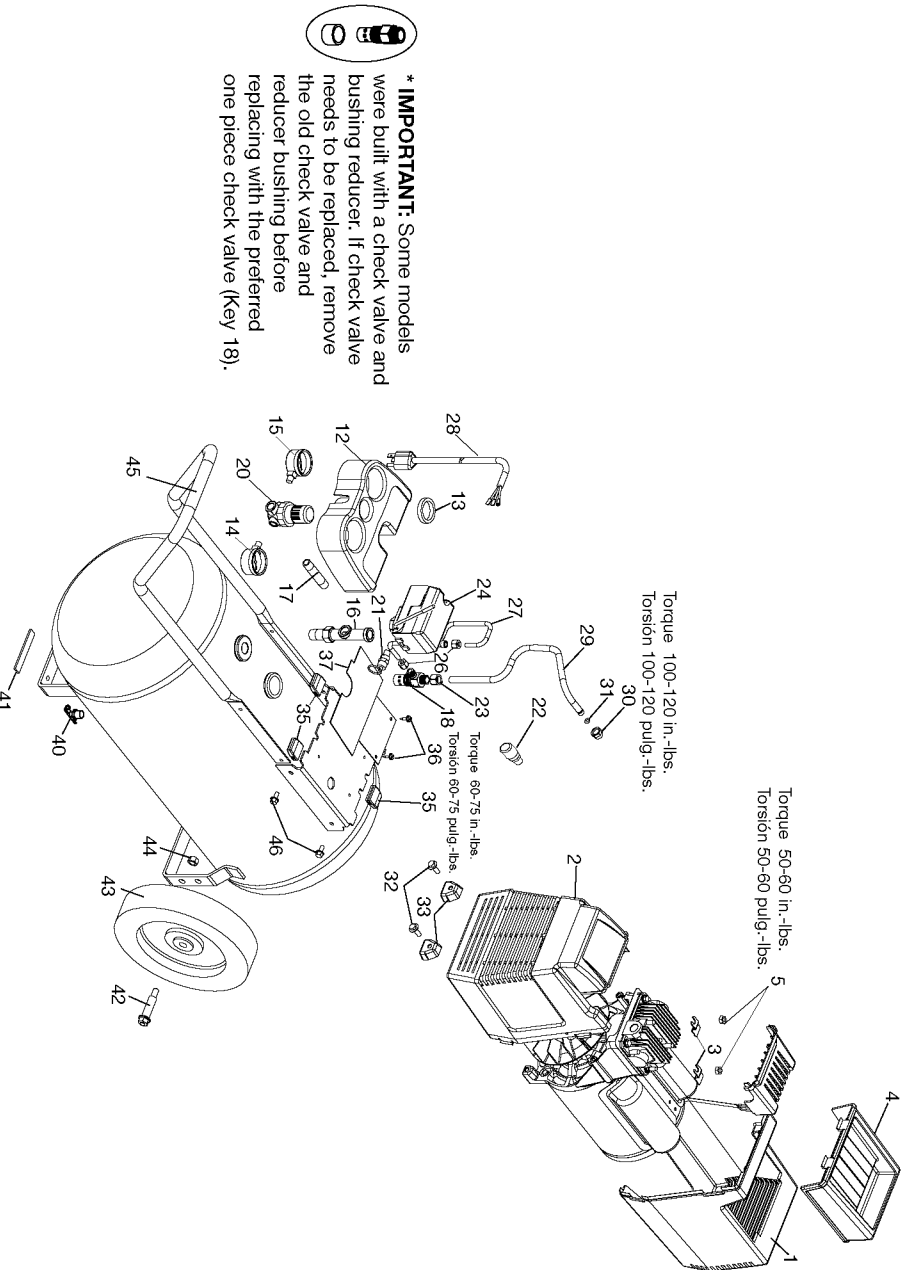
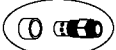


The picture shown is for reference only. It may differ from actual unit.





*** IMPORTANT:** Some models were built with a check valve and bushing reducer. If check valve needs to be replaced, remove the old check valve and reducer bushing before replacing with the preferred one piece check valve (Key 18).



Parts List for HF412-WK Type 2

Item Number	Part Number	Description	Qty Required
1	AC-0046	SHROUD REAR 3PT SING	1
2	AC-0078	SHROUD FRONT BLK	1
3	CAC-1121	BRACKET SHROUD	2
4	CAC-1080	TRAY TOOL	1
5	038738-00	NUT	2
12	000000-00	No Longer Available	1
13	CAC-61	RING PANEL MOUNTING	1
14	AC-0009-1	GAUGE RIGHT HAND	1
15	Z-AC-0010-1	GAUGE LEFT HAND	1
16	AC-0027-2	STANDPIPE BRASS MALE	1
17	SSP-480	NIPPLE 1/4-18 NPT X	1
18	A19717	VALVE CHECK 3/4NPT X	1
20	AC-0007	REGULATOR 4PORT P1P2	1
21	97503734	VALVE SAFETY 150 .12	1
22	D26889	ADAPTER .25 NPT X .2	1
23	SSP-7813	ASSY NUT SLEEVE 3/8	1
24	5140112-18	PRESSURE SWITCH	1
26	SSP-7811	ASSY NUT SLEEVE 1/4	2
27	AC-0160	TUBE PRES REL .250OD	1
28	SUDL-413-2	ASSY CORD POWER ST	1
29	AC-0125	TUBE OUTLET .375OD A	1
30	SSP-7821-1	NUT .563-18 UNF HEX	1
31	SSG-3105	ORING 306/296ID 073/	1
32	91895680	SCREW .250-20X.750 H	2
33	ACG-18	CUP SADDLE MOUNT	1
35	ACG-19	ISOLATOR 3 POINT MOU	3
36	SSF-953-ZN	SCREW #10X.625 HHW S	2

Parts List for HF412-WK Type 2

Item Number	Part Number	Description	Qty Required
37	AC-0047	GUARD FAN	1
40	N286039	DRAIN VALVE	1
41	SUDL-6-1	STRIP RUBBER FOOT	1
42	CAC-60	BOLT .375-16X2.25 UN	2
43	D23138	WHEEL 9 BLACK SEMI-P	2
44	SSF-8080-ZN	NUT .375-16 UNC-2B H	1
45	000000-00	No Longer Available	1
46	SSF-981	SCREW .250-14X.500 H	4
50	KK-4981	KIT MUFFLER FILTER	1
51	DAC-143	FILTER INTAKE	1
52	KK-4981	KIT MUFFLER FILTER	1
53	KK-4981	KIT MUFFLER FILTER	1
54	AC-0037	HEAD 3/8 OUTLET FRON	1
56	SSF-927	SCREW .250-20X1.125	1
57	ACG-45	ORING P/L HEAD	1
58	Z-AC-0032	ASSY VALVE PLATE	1
59	SSG-8156	ORING 2.759/2.719ID	1
60	KK-4835	KIT CONNECTING ROD L	1
61	KK-4835	KIT CONNECTING ROD L	1
62	Z-MO-9045	MOTOR P/L 3PT STD	1
65	Z-AC-0140	ASSY ECCENTRIC BEARI	1
66	SSF-990	SCREW .250-20X1.25 U	1
67	AC-0108	FAN 5.75 DIA	1
69	SSF-586	SCREW .250-20X.750 U	1
70	SSF-3158-1	SCREW #10-24X.750 TH	1
71	KK-4835	KIT CONNECTING ROD L	1
72	KK-4835	KIT CONNECTING ROD L	1

Parts List for HF412-WK Type 2

Item Number	Part Number	Description	Qty Required
856	KK-4981	KIT MUFFLER FILTER	1
856	KK-4835	KIT CONNECTING ROD L	1
856	K-0650	KIT COMP RING REPLAC	1