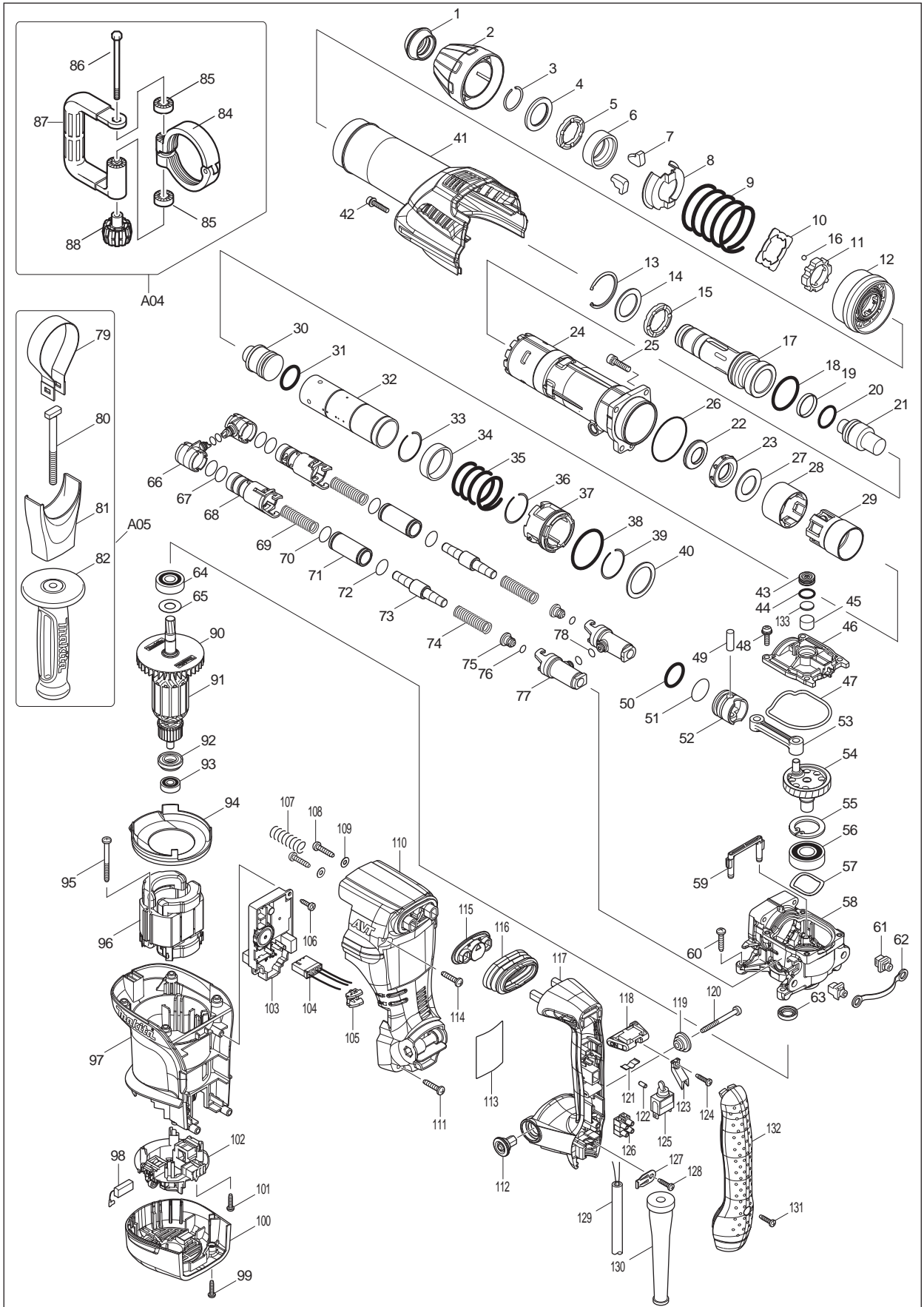




09 - 2009
HM0871C
12.4LBS DEMOLITION HAMMER, SDS-MAX



Item No	Type	Part No.	Description	Qty	Unit
1		286287-0	TOOL HOLDER CAP	1	PC.
2		451432-8	CHUCK COVER	1	PC.
3		231984-3	RING SPRING 25	1	PC.
4		267272-2	FLAT WASHER 28	1	PC.
5		424261-2	RUBBER RING 28	1	PC.
6		331659-5	CHUCK RING	1	PC.
7		310108-5	TOOL RETAINER	2	PC.
8	1	345360-6	SPRING GUIDE	1	PC.
	2	346677-0	SPRING GUIDE	1	PC.
9		233387-7	COMPRESSION SPRING 52	1	PC.
10		346141-1	PLATE	1	PC.
11		310145-9	LOCK RING	1	PC.
12		451433-6	CHANGE RING	1	PC.
13		257960-9	RETAINING RING(INT) ROUND R-42	1	PC.
14		267273-0	FLAT WASHER 29	1	PC.
15		424261-2	RUBBER RING 28	1	PC.
16		216002-8	STEEL BALL 4.8	4	PC.
17		324387-9	TOOL HOLDER	1	PC.
18		213527-3	O RING 38	1	PC.
19		213431-6	FLUORIDE RING 28	1	PC.
20		213394-6	O RING 23	1	PC.
21		324389-5	IMPACT BOLT	1	PC.
22		325732-1	RING 20	1	PC.
23		424245-0	RUBBER RING 20	1	PC.
24		318511-4	BARREL	1	PC.
25		922341-3	HEX. SOCKET HEAD BOLT M6X25	4	PC.
26		213656-2	O RING 53	1	PC.
27		267407-5	FLAT WASHER 23	1	PC.
28		451639-6	GUIDE RING	1	PC.
29		450098-1	SLIDE SLEEVE	1	PC.
30		324388-7	STRIKER	1	PC.
31		213958-6	O RING 24	1	PC.
32		331658-7	CYLINDER 32	1	PC.
33		233927-1	RING SPRING 34	1	PC.
34		331660-0	RING 36	1	PC.
35		233386-9	COMPRESSION SPRING 37	1	PC.
36		233927-1	RING SPRING 34	1	PC.
37		318510-6	CYLINDER GUIDE	1	PC.
38		213611-4	O RING 46	1	PC.
39		233927-1	RING SPRING 34	1	PC.
40		267079-6	FLAT WASHER 34	1	PC.
41		451443-3	HOUSING COVER	1	PC.
42		922243-3	HEX. SOCKET HEAD BOLT M5X25	1	PC.
43		419988-7	FILTER CAP	1	PC.
44		213218-6	O RING 16	1	PC.
45		443129-3	FILTER	1	PC.
46		451434-4	CRANK CAP	1	PC.
47		424244-2	SEAL RING	1	PC.
48		911233-1	PAN HEAD SCREW M5X20	4	PC.
49		268104-6	PIN 8	1	PC.
50		213958-6	O RING 24	1	PC.
51		213432-4	O RING 26	1	PC.
52		418349-8	PISTON	1	PC.
53		418350-3	CONNECTING ROD	1	PC.
54		325734-7	CRANK SHAFT 17.5	1	PC.

Item No	Type	Part No.	Description	Qty	Unit
55		962157-4	RETAINING RING R-40	1	PC.
56	1	211281-3	BALL BEARING 6203LLU	1	PC.
	2	211490-4	BALL BEARING 6203LLU	1	PC.
57		267825-7	WAVE WASHER 30	1	PC.
58		140204-3	CRANK HOUSING COMPLETE	1	PC.
59		451429-7	AIR PIPE	1	PC.
60		266041-8	TAPPING SCREW 5X25	4	PC.
61		419008-7	FIX GUIDE	2	PC.
62		423400-1	CUSHION PLATE	1	PC.
63		213133-4	OIL SEAL 12	1	PC.
64		211106-1	BALL BEARING 6201LLB	1	PC.
65		253759-0	FLAT WASHER 12	1	PC.
66	1	451430-2	PIPE HOLDER SUPPORT	2	PC.
	2	455791-2	PIPE HOLDER SUPPORT	2	PC.
67		213275-4	O RING 18	4	PC.
68		451436-0	PIPE HOLDER B	2	PC.
69		234134-9	COMPRESSION SPRING 12	2	PC.
70		213275-4	O RING 18	2	PC.
71		324572-4	PIPE 16	2	PC.
72		213275-4	O RING 18	2	PC.
73		325733-9	COUNTER WEIGHT	2	PC.
74		234134-9	COMPRESSION SPRING 12	2	PC.
75		419011-8	SPRING GUIDE	2	PC.
76		213030-4	O RING 8	2	PC.
77		451435-2	PIPE HOLDER A	2	PC.
78		213030-4	O RING 8	4	PC.
79		346140-3	GRIP SPRING 70	1	PC.
80		266522-2	SQUARE BOLT M8X95	1	PC.
81		418363-4	SIDE GRIP BASE 60	1	PC.
82		158131-0	GRIP 36 COMPLETE	1	PC.
84		152620-7	SIDE HANDLE BASE 60 COMPLETE	1	PC.
85		417002-3	SIDE HANDLE CAM	2	PC.
86		265439-6	HEX. BOLT M8X150	1	PC.
87		417003-1	SIDE HANDLE	1	PC.
88		252640-2	WING NUT M8	1	PC.
90		240119-5	FAN 76	1	PC.
91		513791-9	ARMATURE ASSEMBLY 115V	1	PC.
	INC.		Item No. 90,92,93		
92		681650-6	INSULATION WASHER	1	PC.
93		210005-4	BALL BEARING 608DDW	1	PC.
94		451438-6	BAFFLE PLATE	1	PC.
95		266095-5	TAPPING SCREW 5X55	2	PC.
96		625756-0	FIELD 115V	1	PC.
97		451423-9	MOTOR HOUSING	1	PC.
98		195004-6	CARBON BRUSH SET CB-350, 2PCS/SET	1	SET
99		265995-6	TAPPING SCREW 4X18	2	PC.
100		451442-5	REAR COVER	1	PC.
101		265995-6	TAPPING SCREW 4X18	4	PC.
102		638674-3	BRUSH HOLDER UNIT	1	PC.
103		631931-8	CONTROLLER	1	PC.
104		638675-1	LEAD UNIT	1	PC.
105		451428-9	LENS	1	PC.
106	1	266192-7	* TAPPING SCREW 4X14	2	PC.
	2	266901-4	* TAPPING SCREW 4X14	2	PC.

Item No	Type	Part No.	Description	Qty	Unit
107		233434-4	COMPRESSION SPRING 11	1	PC.
108		266041-8	TAPPING SCREW 5X25	2	PC.
109		267066-5	FLAT WASHER 5	2	PC.
110		451447-5	HANDLE BASE	1	PC.
111		266041-8	TAPPING SCREW 5X25	2	PC.
112		451431-0	HANDLE RETAINER	1	PC.
113	1	867384-7	HM0871C NAME PLATE	1	PC.
	2	814H67-8	HM0871C NAME PLATE	1	PC.
114		266041-8	TAPPING SCREW 5X25	2	PC.
115		451437-8	DUST COVER SUPPORT	1	PC.
116		424247-6	DUST COVER	1	PC.
117		140205-1	HANDLE COMPLETE	1	PC.
118		451439-4	SLIDE LEVER	1	PC.
119		450352-3	SHOULDER SLEEVE 6	1	PC.
120		266095-5	TAPPING SCREW 5X55	1	PC.
121		232209-8	LEAF SPRING	1	PC.
122		263027-3	RUBBER PIN 4	1	PC.
123		451427-1	SWITCH LEVER	1	PC.
124		265995-6	TAPPING SCREW 4X18	1	PC.
125		651418-4	SWITCH ST115A-40, SINGLE	1	PC.
126		654531-7	TERMINAL BLOCK 2P	1	PC.
127		687169-3	STRAIN RELIEF	1	PC.
128		265995-6	TAPPING SCREW 4X18	1	PC.
129		664276-9	CORD W/PLUG 2P-16-5.0M, SJ	1	PC.
130		682560-0	CORD GUARD 10	1	PC.
131		265995-6	TAPPING SCREW 4X18	1	PC.
132		451445-9	HANDLE COVER	1	PC.
133		423411-6	RUBBER PLATE	1	PC.

ACCESSORIES

A01		194683-7	GREASE VESSEL SET, 100CC	1	PC.
A02		443122-7	CLOTH	1	PC.
A03		824904-0	PLASTIC CARRYING CASE	1	PC.
	INC.	162271-8	LATCH	2	PC.
	INC.	450990-1	HANDLE	1	PC.
	INC.	325809-2	SHAFT	1	PC.
A04		134909-5	SIDE HANDLE ASS'Y (D-Shape)	1	PC.
	INC.		Item No. 84 - 88		
A05		135332-7	GRIP 36 ASSEMBLY (Straight)	1	PC.
	INC.		Item No. 79 - 82		
A06		195113-1	HAMMER SERVICE KIT	1	SET
A07		----	BULL POINT, COLD CHISEL, SCALING CHISEL, GROOVING CHISEL, CLAY SPADE, BUSHING TOOL, RAMMER ETC.(SEE CATALOGUE FOR DETAILS)	1	PC.
A09		196571-4	DUST EXTRACTOR ATTACHMENT SET	1	PC.
	INC.	142350-8	HOSE COMPLETE 28 - 1.5	1	PC.
	INC.	417765-1	FRONT CUFF 22	1	PC.
	INC.	417766-9	FRONT CUFF 38	1	PC.
	INC.	415021-3	HOSE JOINT	1	PC.
	INC.	454749-8	HOSE HOLDER A	1	PC.
	INC.	454750-3	HOSE HOLDER B	1	PC.
	INC.	454809-6	HOSE HOLDER C	1	PC.
	INC.	-----	PLASTIC CASE LABEL (N/A Individually)	1	PC.
	INC.	-----	CARTON (Master) (N/A Individually)	1	PC.
	INC.	-----	Instruction Manual 30Language (N/A Individually)	1	PC.