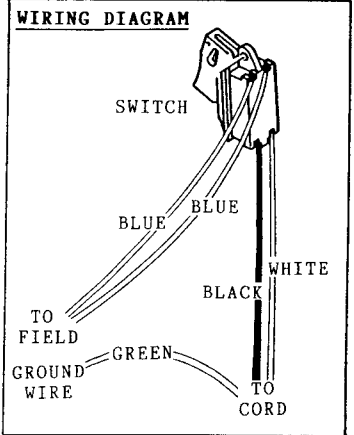
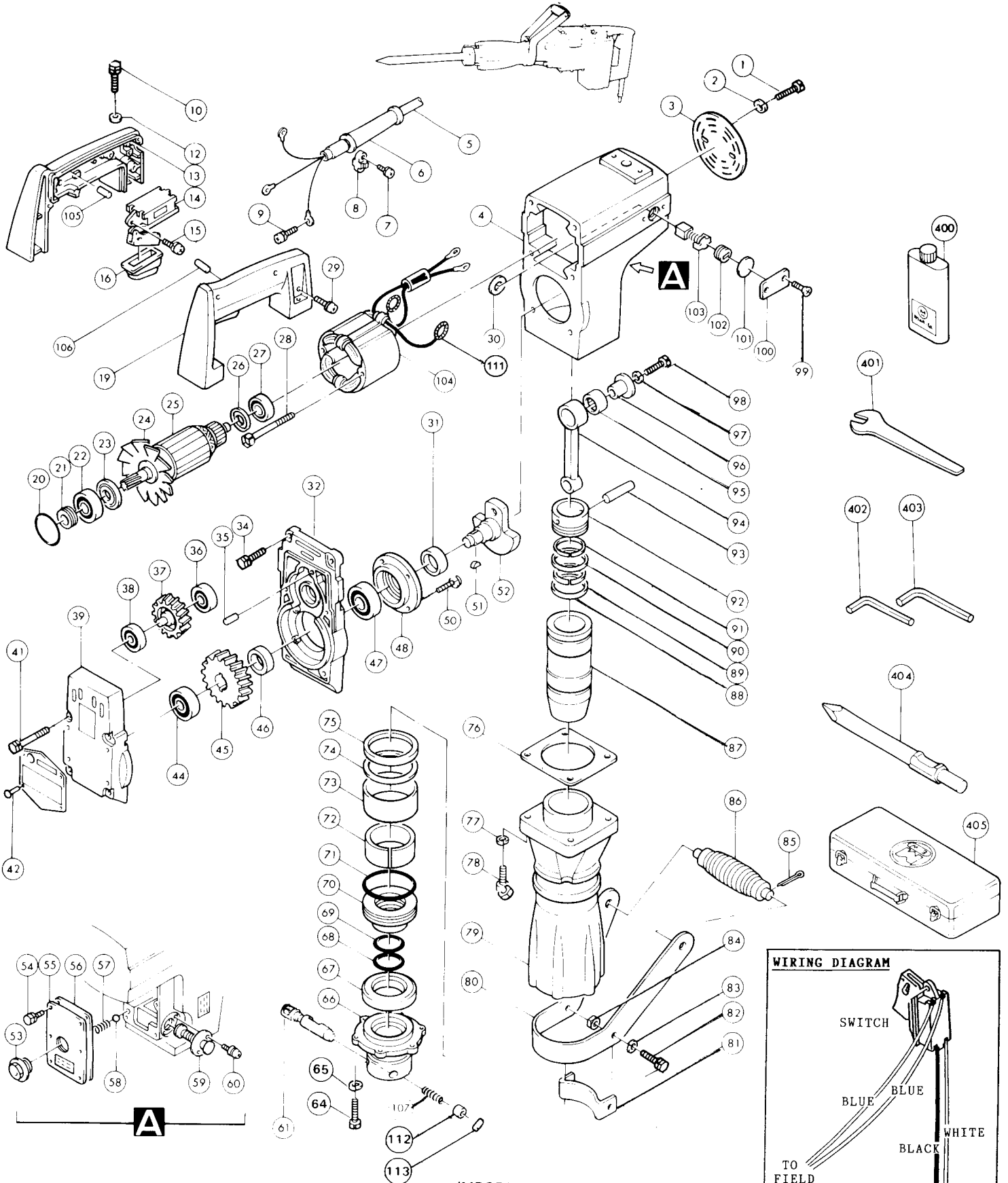


Makita DEMOLITION HAMMER MODEL HM1301



IMPORTANT — To assure product **SAFETY** and **RELIABILITY**, repairs, maintenance or adjustments should be performed by **MAKITA** Service Centers or other qualified service organizations. Always use **MAKITA** replacement parts.

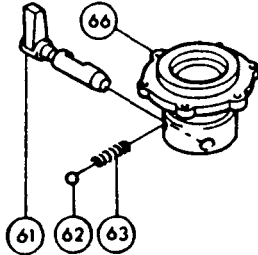
Fig.	Part No.	Qty. Used	Description	Fig.	Part No.	Qty. Used	Description
1	922322-7	2	H.S.H. BOLT M6X16	60	911124-6	2	P. H. SCREW M4X14
2	942151-2	2	SPRING WASHER 6	61	*	1	TOOL RETAINER
3	284036-9	1	REAR COVER	62	*	1	STEEL BALL 7.9
4	157499-1	1	MOTOR HOUSING (INCL. CAUTION PLATE 817602-3 & BRUSH HOLDER 643653-8)	63	*	1	COMP. SPRING 5
5	664754-9	1	CORD (3X16X16 S.J)	64	922451-6	6	H.S.H. BOLT M8X30
6	682505-8	1	CORD GUARD	65	942201-3	6	SPRING WASHER 8
7	911131-9	2	P. H. SCREW M4X18	66	*	1	TOOL HOLDER
8	687001-1	1	STRAIN RELIEF	67	421292-2	1	URETHANE RING 44
9	652014-1	1	P. H. SCREW M4X8	68	***	1	O RING 24
10	****	4	H.S.H. BOLT M6X30	69	***	1	O RING 24
11	****	4	SPRING WASHER 6	70	***	1	SEAL HOLDER
12	941152-7	4	F. WASHER 6	71	213712-8	1	O RING 65
13	410294-3	1	HANDLE (R)	72	331270-3	1	IDLER
14	651145-3	1	SWITCH	73	421291-4	1	RUBBER RING 68
15	911129-6	1	P. H. SCREW M4X16	74	267006-3	1	F. WASHER 60
16	421265-5	1	DUST COVER	75	262035-1	1	NYLON RING 60
19	410295-1	1	HANDLE (L)	76	442085-4	1	CYLINDER PACKING
20	213469-1	1	O RING 35	77	942201-3	4	SPRING WASHER 8
21	331271-1	1	SEAL	78	922457-4	4	H.S.H. BOLT M8X35
22	211206-7	1	B. BEARING 6202LLB	79	315780-8	1	CYLINDER
23	213202-1	1	DUST SEAL 15	80	342855-0	1	SIDE HANDLE
24	241321-3	1	FAN 92	81	342852-6	1	SIDE HANDLE PLATE
25	618322-0	1	ARMATURE (ASSEMBLY FIGS. 22-27)	82	922442-7	2	H.S.H. BOLT M8X25
26	213051-6	1	DUST SEAL 10	83	942201-3	2	SPRING WASHER 8
27	211066-7	1	B. BEARING 6200LLB	84	252005-8	2	U-NUT M8-13
28	265341-3	2	HEX BOLT M5X75	85	**	2	SPLIT PIN 3-20
29	911243-8	3	P. H. SCREW M5X25	86	**	1	GRIP 38
30	681002-1	2	INS. WASHER	87	321828-6	1	HAMMER
31	213408-1	1	OIL SEAL 30	88	412067-0	1	PISTON RING 46
32	157502-8	1	GEAR HOUSING (WITH O RING 213469-1)	89	342853-4	1	INNER RING 42
33	****	2	SPRING WASHER 6	90	412067-0	1	PISTON RING 46
34	****	2	H.S.H. BOLT M6X25	91	342853-4	1	INNER RING 42
35	256111-1	1	PIN 6	92	321824-4	1	PISTON
36	211106-1	1	B. BEARING 6201LLB	93	256149-6	1	PIN 10
37	221740-9	1	H. GEAR 43	94	321826-0	1	CONNECTING ROD
38	211106-1	1	B. BEARING 6201LLB	95	212260-4	1	NEEDLE BEARING 1716
39	157498-3	1	GEAR HOUSING COVER (WITH IND. LABEL 812160-4)	96	321825-2	1	CRANK SLEEVE
40	****	4	SPRING WASHER 6	97	942251-8	1	SPRING WASHER 10
41	****	4	H.S.H. BOLT M6X60	98	922557-0	1	H.S.H. BOLT M10X35
42	953106-2	4	RIVET 0-5	99	912111-8	4	C.S.H. SCREW M4X10
44	211211-4	1	B. BEARING 6302LLB	100	341058-3	2	CAP PLATE
45	221739-4	1	H. GEAR 68	101	421034-4	2	CAP RUBBER
46	257111-4	1	RING 25	102	643650-4	2	BRUSH CAP (CB-152-155)
47	211356-8	1	B. BEARING 6205LLB	103	181048-2	2	CARBON BRUSH 155
48	315782-4	1	BEARING BOX	104	623336-6	1	FIELD (WITH FIG. 111)
49	****	4	SPRING WASHER 6	105	263002-9	1	RUBBER PIN 4
50	****	4	H.S.H. BOLT M6X18	106	263002-9	1	RUBBER PIN 4
51	254001-2	4	WOODRUFF KEY 4	107	*	1	COMP. SPRING 15
52	321829-4	1	CRANKSHAFT	109	*	1	HEX NUT M8-13
53	242502-2	1	OIL GAUGE	111	654020-2	2	GARTER SPRING
54	925216-5	6	HEX BOLT M5X14	112	*****	1	RETAINING RING
55	155742-2	1	OIL TANK COVER	113	*****	1	PIN 4
56	442086-2	1	OIL TANK PACKING	ACCESSORIES			
57	231216-8	1	COMP. SPRING 4	400	181118-7	1	OIL SUPPLY
58	216002-8	1	STEEL BALL 4.8	401	781012-9	1	SPANNER
59	155251-1	1	PLUNGER	402	783203-8	1	HEX WRENCH 5
				403	783204-6	1	HEX WRENCH
				404	751407-0	1	BULL POINT
				405	181805-8	1	STEEL CARRYING CASE

* SEE SERVICE CHANGE 1
** SEE SERVICE CHANGE 2
*** SEE SERVICE CHANGE 3
**** SEE SERVICE CHANGE 4
***** SEE SERVICE CHANGE 5

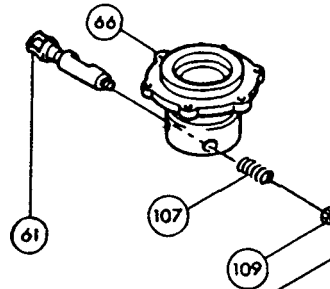
SERVICE CHANGE

1. Change on Tool Retainer and Tool Holder.

Type 1



Type 2



When tightening Nut,
apply metal adhesive

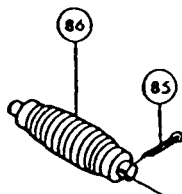
Fig.	Description	Type 1	Type 2
61	Tool Retainer	Part #314018-8	Part #322166-9
62	Steel Ball 7.9	Part #216004-4	(Discontinued)
63	Compression Spring	Part #231032-8	(Discontinued)
66	Tool Holder	Part #321830-9	Part #322167-7
107	Compression Spring	—————	Part #231281-7
109	HEX NUT M8-13	—————	Part #252046-4

• SEE SERVICE CHANGE 5

The above parts are completely interchangeable as a set.

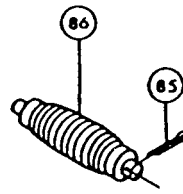
2. Changes to Grip and Split Pin.

Type 1



Hole has 4mm diameter

Type 2



Hole has 3mm diameter

Bend Split Pin
as shown

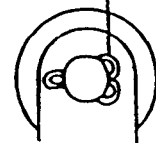


Fig.	Description	Type 1	Type 2
85	Split Pin	Part #952307-9 4-25	Part #952257-8 3-20
86	Grip 38	Part #273417-2 (Discontinued)	Part #273490-2

The above parts are completely interchangeable as a set.

3) Change on Seal Holder.

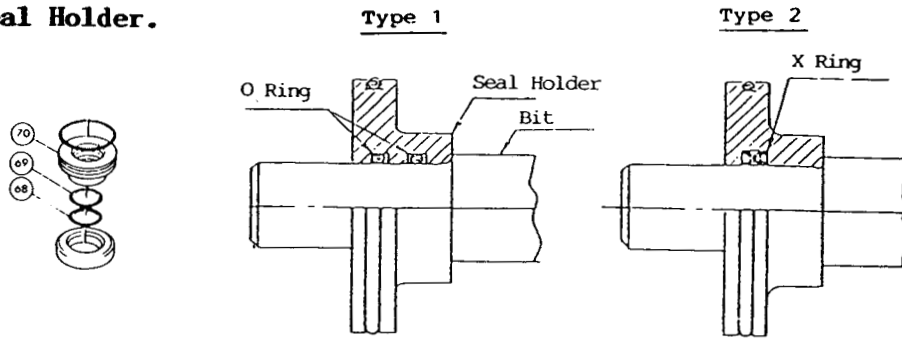


Fig.	Description	Type 1	Type 2
68	O Ring	Part #213372-6	Part #213383-1
69	O Ring	Part #213372-6	X Ring 25
70	Seal Holder	Part #321827-8 (Discontinued)	Part #322343-3

The above parts are completely interchangeable as a set.

4) Change on Hex Socket Head Bolts.

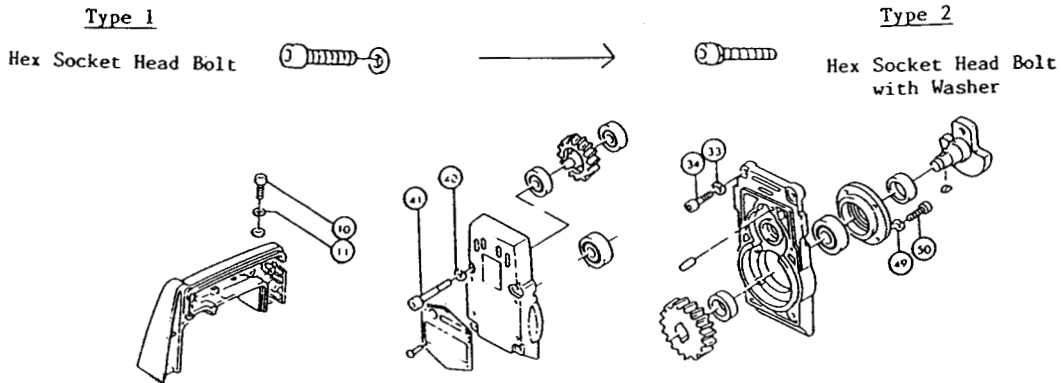


Fig.	Description	Type 1	Type 2	New Fig.	Qty.
10	Hex Socket Head Bolt M6X30	922352-8	922351-0	Fig. 10	4
11	Spring Washer 6	942151-2	with Washer		
33	Spring Washer 6	942151-2	922341-3	Fig. 34	2
34	Hex Socket Head Bolt M6X25	922342-1	with Washer		
40	Spring Washer 6	942151-2	922381-1	Fig. 41	4
41	Hex Socket Head Bolt M6X60	922382-9	with Washer		
49	Spring Washer 6	942151-2	922326-9	Fig. 50	4
50	Hex Socket Head Bolt M6X18	922327-7	with Washer		

5) Change on Tool Retainer from S/N 24,038E.

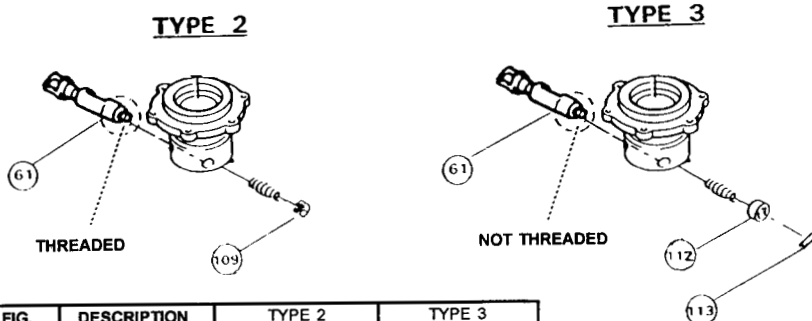


FIG.	DESCRIPTION	TYPE 2	TYPE 3
61	Tool Retainer	Part #322166-9 (Discontinued)	Part #322567-1
109	Hex Nut M8-13	Part #252046-4	—
112	Retaining Ring	—	Part #322699-4
113	Pin 4	—	Part #256219-1

The above parts are interchangeable as a set.