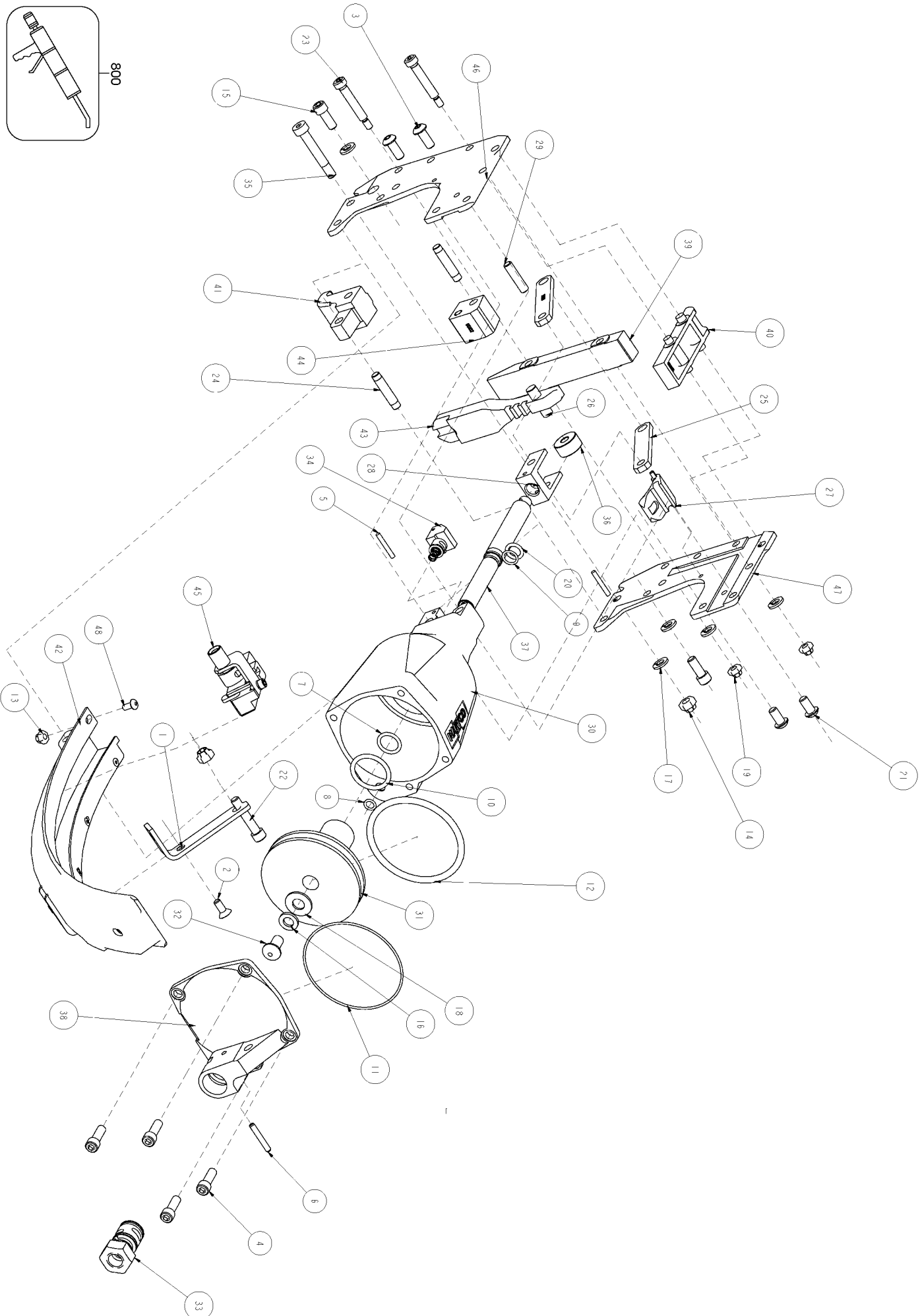
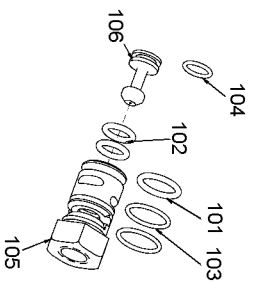


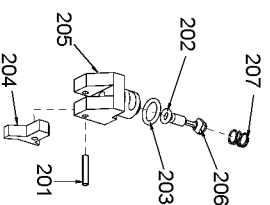
800



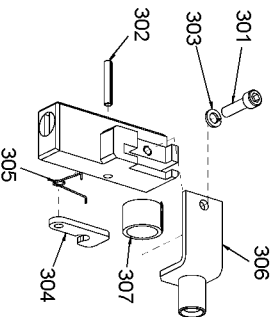
HARTCO CLINCHING TOOLS SERIES B PARTS LIST



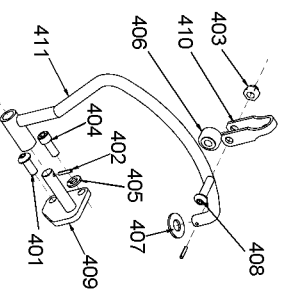
MAIN VALVE ASSEMBLY
PART NO. HR-55047



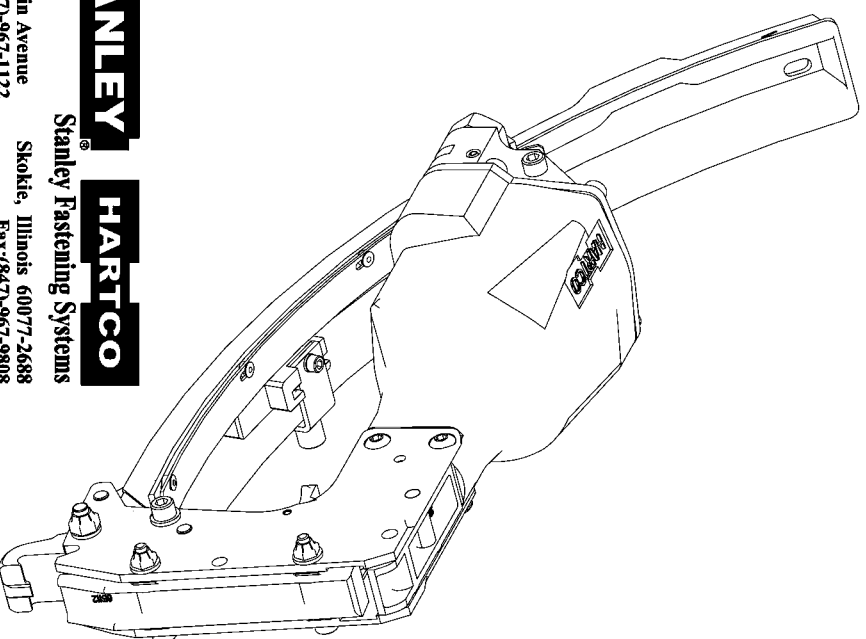
PILOT VALVE ASSEMBLY
PART NO. HR-55328



FOLLOWER ASSEMBLY



SUSPENSION HANGER ASSEMBLY
PART NO. HR-55397



STANLEY

HARTCO

Stanley Fastening Systems

7707 Austin Avenue
Phone:(847)-967-1122

Skokie, Illinois 60077-2688
Fax:(847)-967-9808

Parts List for HR-85BMO Type 0

Item Number	Part Number	Description	Qty Required
3	HR-15000	BHCS 1/4-20 X 5/8	2
4	HR-15001	SHCS 1/4-20 X 3/4	4
5	HR-15004	PIN- DOWEL 1/8 X 7/8	2
6	HR-15005	PIN- ROLL 5/32 X 1	1
7	HR-15010	O-RING VITON 9/16 X	1
8	HR-15011	O-RING 1/4 X 3/8 X 1	1
9	HR-15014	O-RING 3/8 X 1/2 X 1	1
10	HR-15015	O-RING VITON 1 X 1 1	1
11	HR-15016	O-RING 2 7/8 X 3 X 1	1
12	HR-15017	O-RING 2 3/4 X 3 1/8	1
13	HR-15020	NUT- THIN JAM FLEXLO	1
14	HR-15023	NUT- FLEXLOC 1/4-20	2
15	HR-15028	SHCS 1/4-20 X 5/8	2
16	HR-15029	WASHER- LOCK 5/16 ID	1
17	HR-15031	WASHER- LOCK 1/4 ID	5
18	HR-15038	WASHER- FLAT 3/8 X 1	1
19	HR-15044	NUT- FLEXLOC 10-24	2
20	HR-15054	O-RING	1
21	HR-15061	BHCS 1/4-20 X 1/2	2
22	HR-15063	SHCS 1/4-20 X 1-1/4	1
23	HR-15235	SHSS 1/4 X 1 1/4	2
24	HR-55002	PIN - SIDE PLATE	2
25	HR-55008	LINK	2
26	HR-55009	PIN- DOWEL 5/16 X 1	1
27	HR-55012	TRIGGER COMPLETE	1
28	HR-55017	YOKE - PISTON ROD	1
29	HR-55018	PISTON PIN - ROLLER	1

Parts List for HR-85BMO Type 0

Item Number	Part Number	Description	Qty Required
30	HR-55020	HOUSING CL-CC-TM	1
31	HR-55021	PISTON CL-CC-AK-LN-T	1
32	HR-55022	PISTON SCREW	1
33	HR-55047	MAIN VALVE ASSY. CL-	1
34	HR-55048	PILOT VALVE ASSY. CL	1
35	HR-55056	STUD-SHOULDER BOLT	1
36	HR-55103	ROLLER	1
39	HR-65112	FRONT PLATE	1
40	HR-65115	TOP PLATE	1
44	HR-55177	BLADE GUIDE	1
45	HR-55051	FOLLOWER ASSY. CL 7/	1
46	HR-55003	SIDE PLATE- R.H.	1
47	HR-55004	SIDE PLATE- L.H.	1
48	TL778206	SCREW- SS BUTTON HEA	1
101	HR-15010	O-RING VITON 9/16 X	1
102	HR-15012	O-RING 3/8 X 9/16 X	2
103	HR-15013	O-RING 5/8 X 3/4 X 1	2
104	HR-15014	O-RING 3/8 X 1/2 X 1	1
201	HR-15002	PIN- ROLL 3/32 x 1/2	1
202	HR-15008	O-RING 1/8 X 1/4 X 1	1
203	HR-15009	O-RING 5/16 X 7/16 X	1
204	HR-55013	VALVE LEVER CL-CC	1
205	HR-55014	PILOT VALVE BODY CL-	1
206	HR-55015	VALVE STEM CL-CC	1
207	HR-55016	SPRING CL-CC	1
301	HR-15025	SHCS 8-32 X 5/8 W/NY	1
302	HR-15026	PIN- ROLL 1/8 X 3/4	1

Parts List for HR-85BMO Type 0

Item Number	Part Number	Description	Qty Required
303	HR-15032	WASHER- LOCK #8	1
304	HR-55032	FOLLOWER LATCH CL	1
305	HR-55038	LATCH SPRING CL	1
306	HR-55039	FOLLOWER BRKT. ASSEM	1
307	HR-55040	NEGATOR SPRING CL	1
401	HR-15000	BHCS 1/4-20 X 5/8	1
402	HR-15002	PIN- ROLL 3/32 x 1/2	2
403	HR-15023	NUT- FLEXLOC 1/4-20	1
404	HR-15028	SHCS 1/4-20 X 5/8	1
405	HR-15031	WASHER- LOCK 1/4 ID	1
406	HR-15037	ROLLER BEARING	1
407	HR-15038	WASHER- FLAT 3/8 X 1	1
408	HR-15316	BHCS 1/4-20 X 1	1
409	HR-55053	HANGER SUPPORT	1
410	HR-55095	HANGER YOKE	2
411	HR-55096	SUSPENSION HANGER CL	1
800	100653	LUBE (2CC)	1
800	100679	LUBE (1LB.CAN)	1