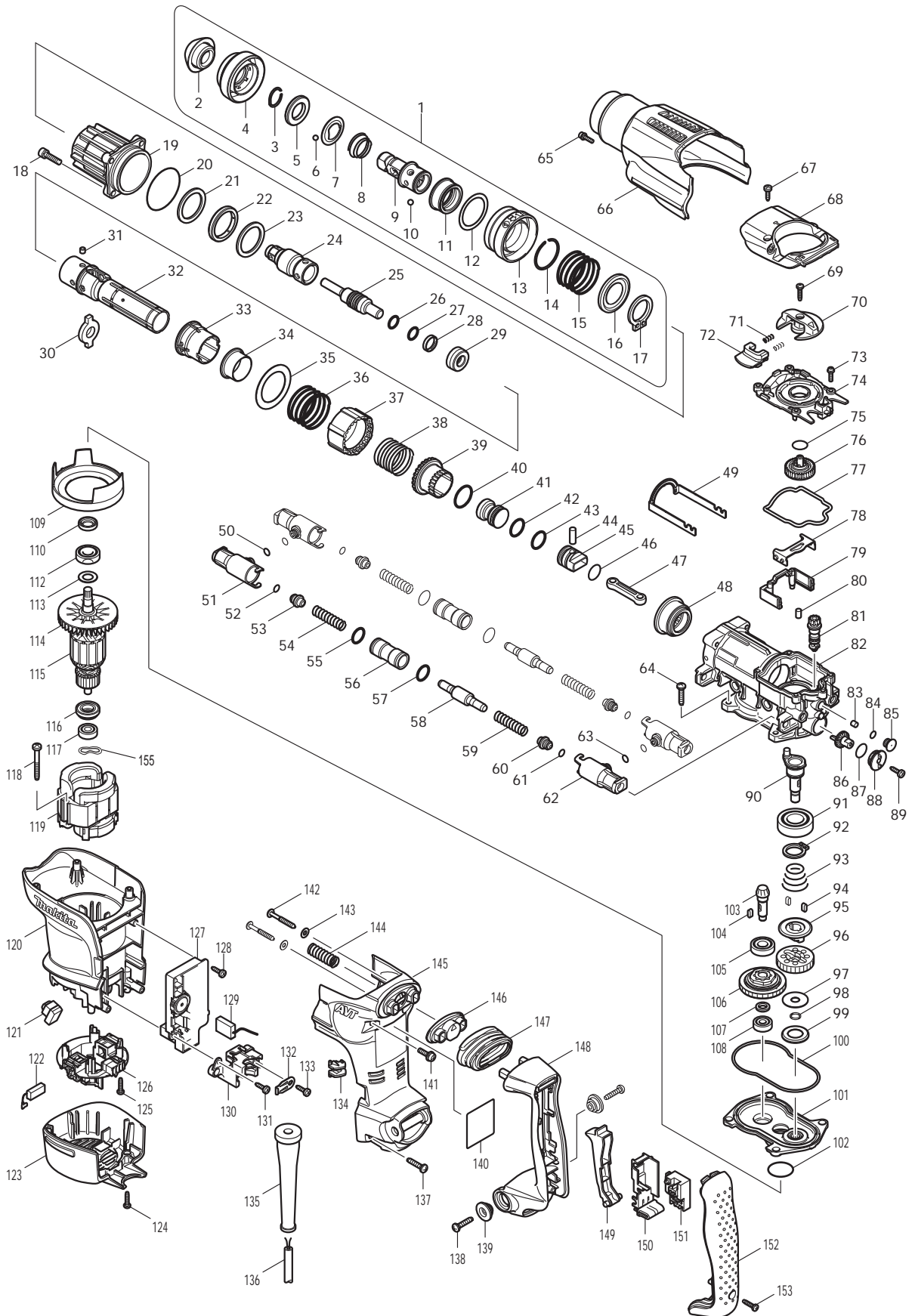




12 - 2009
HR3210FCT
SDS-PLUS 1-1/4" ROTARY HAMMER



Item No	Type	Ref	Part No	Description	Qty	Unit
1			125420-8	QUICK CHANGE SDS-PLUS CHUCK	1	PC.
		INC.		Item No. 2-17		
2			286282-0	TOOL HOLDER CAP	1	PC.
3			233940-9	RING SPRING 19	1	PC.
4			450245-4	CHUCK COVER	1	PC.
5			257288-5	RING 21	1	PC.
6			216022-2	STEEL BALL 7.0	2	PC.
7			345873-7	GUIDE WASHER	1	PC.
8			234049-0	CONICAL COMPRESSIONSPRING22-32	1	PC.
9			324842-1	TOOL HOLDER	1	PC.
10			216013-3	STEEL BALL 6	3	PC.
11			331801-8	CHANGE RING	1	PC.
12			267362-1	FLAT WASHER 37	1	PC.
13			450258-5	CHANGE COVER	1	PC.
14			231988-5	RING SPRING 34	1	PC.
15			234052-1	COMPRESSION SPRING 42	1	PC.
16			345870-3	WASHER 28	1	PC.
17			961108-4	RETAINING RING S-28	1	PC.
18			922341-3	HEX. SOCKET HEAD BOLT M6X25	4	PC.
19			158533-0	BARREL COMPLETE	1	PC.
		INC.	213436-6	OIL SEAL 28	1	PC.
		INC.	213142-3	O-RING 35	1	PC.
20			213656-2	O RING 53	1	PC.
21			267810-0	FLAT WASHER 34	1	PC.
22			262138-1	URETHAN RING 34	1	PC.
23			267810-0	FLAT WASHER 34	1	PC.
24			324841-3	TOOL HOLDER GUIDE	1	PC.
25			324850-2	IMPACT BOLT	1	PC.
26			213228-3	O RING 15	1	PC.
27			213228-3	O RING 15	1	PC.
28			213321-3	FLUORO CARBON RESIN RING 20	1	PC.
29			424062-8	RUBBER RING 13	1	PC.
30			324838-2	SLIDE PLATE	1	PC.
31			256266-2	PIN 6	4	PC.
32			331794-9	CYLINDER 25	1	PC.
33			450243-8	SLIDE SLEEVE	1	PC.
34			331805-0	RING 29	1	PC.
35			267360-5	FLAT WASHER 40	1	PC.
36			234052-1	COMPRESSION SPRING 42	1	PC.
37			450236-5	LOCK SLEEVE	1	PC.
38			234050-5	COMPRESSION SPRING 34	1	PC.
39			331795-7	DRIVING SLEEVE	1	PC.
40			213434-0	O RING 26	1	PC.
41			324858-6	STRIKER	1	PC.
42			213283-5	O-RING 18	1	PC.
43			213283-5	O-RING 18	1	PC.
44			256087-2	PIN 7	1	PC.
45			324918-4	PISTON	1	PC.
46			213262-3	O RING 18	1	PC.
47			450235-7	CONECTING ROD	1	PC.
48			227531-6	SPIRAL BEVEL GEAR 37	1	PC.
49			345867-2	LINK ARM	1	PC.
50			213030-4	O RING 8	2	PC.

Item No	Type	Ref	Part No	Description	Qty	Unit
51			450248-8	PIPE HOLDER	2	PC.
52			213030-4	O RING 8	2	PC.
53			450239-9	SPRING GUIDE	2	PC.
54			234048-2	COMPRESSION SPRING 10	2	PC.
55			213275-4	O RING 18	2	PC.
56			331800-0	PIPE 15	2	PC.
57			213275-4	O RING 18	2	PC.
58			324862-5	COUNTER WEIGHT	2	PC.
59			234048-2	COMPRESSION SPRING 10	2	PC.
60			450239-9	SPRING GUIDE	2	PC.
61			213030-4	O RING 8	2	PC.
62			450248-8	PIPE HOLDER	2	PC.
63			213030-4	O RING 8	2	PC.
64			266041-8	TAPPING SCREW 5X25	4	PC.
65			922123-3	HEX. SOCKET HEAD BOLT M4X14	1	PC.
66			450254-3	CRANK HOUSING COVER	1	PC.
67			266192-7	TAPPING SCREW 4X14	2	PC.
68			318201-9	CRANK CAP COVER	1	PC.
69			265995-6	TAPPING SCREW 4X18	1	PC.
70			450249-6	CHANGE LEVER	1	PC.
71			233436-0	COMPRESSION SPRING 3	2	PC.
72			450250-1	LOCK BUTTON	1	PC.
73			911128-8	PAN HEAD SCREW M4X16	5	PC.
74			450241-2	CRANK CAP	1	PC.
75			213223-3	O RING 16	1	PC.
76			158437-6	SPUR GEAR 33 COMPLETE	1	PC.
77			424064-4	SEAL RING B	1	PC.
78			345868-0	LINK PLATE	1	PC.
79	2		453866-1	AIR PIPE (OLD# 450247-0 - N/L/A)	1	PC.
80			263005-3	RUBBER PIN 6	2	PC.
81	1		450242-0	* GEAR SHAFT	1	PC.
	2		452126-8	* GEAR SHAFT	1	PC.
82	1		158531-4	CRANK HOUSING COMPLETE - N/L/A	1	PC.
		INC.	213579-4	O-RING 44	1	PC.
	2		158712-0	CRANK HOUSING COMPLETE	1	PC.
		INC.	213579-4	O-RING 44	1	PC.
83			443138-2	FILTER	1	PC.
84			213030-4	O RING 8	1	PC.
85			450238-1	FILTER CAP	1	PC.
86			450244-6	CRANK GEAR	1	PC.
87	1		213223-3	* O RING 16	1	PC.
	2		213176-6	* O RING 14	1	PC.
88			450237-3	CAP HOLDER	1	PC.
89			266192-7	TAPPING SCREW 4X14	1	PC.
90			324839-0	CRANK SHAFT	1	PC.
91			211332-2	BALL BEARING 6004LLU	1	PC.
92			961060-6	RETAINING RING S-20	1	PC.
93			231991-6	CONICAL COMP. SPRING 21-31	1	PC.
94			254239-9	KEY 4	2	PC.
95			324848-9	CLUTCH	1	PC.
96			227188-3	SPUR GEAR 33	1	PC.
97			253197-6	FLAT WASHER 10	1	PC.
98			961036-3	RETAINING RING WR-10	1	PC.

Item No	Type	Ref	Part No	Description	Qty	Unit
99			345869-8	CUP WASHER 18	1	PC.
100			424063-6	SEAL RING A	1	PC.
101			158534-8	GEAR HOUSING COMPLETE	1	PC.
102			213415-4	O RING 28	1	PC.
103			227533-2	SPIRAL BEVEL GEAR 9	1	PC.
104			254239-9	KEY 4	1	PC.
105			210105-0	BALL BEARING 6001LLU	1	PC.
106			125421-6	TORQUE LIMITER ASS'Y	1	PC.
107			257291-6	RING 10	1	PC.
108			210005-4	BALL BEARING 608DDW	1	PC.
109			450251-9	BAFFLE PLATE	1	PC.
110			213133-4	OIL SEAL 12	1	PC.
112			210105-0	BALL BEARING 6001LLU	1	PC.
113			253084-9	FLAT WASHER 12	1	PC.
114			241863-7	FAN 70	1	PC.
115			513746-4	ARMATURE ASS'Y 115V	1	PC.
		INC.		Item No. 112-114,116,117		
116			681650-6	INSULATION WASHER	1	PC.
117			210005-4	BALL BEARING 608DDW	1	PC.
118			266056-5	TAPPING SCREW 5X45	2	PC.
119			625810-0	FIELD 100-115V	1	PC.
120			450260-8	MOTOR HOUSING	1	PC.
121			631785-3	LED CIRCUIT	1	PC.
122	1		194160-9	CARBON BRUSH CB-350 2PC/SET (W/O ORIGIN)	1	SET
	2		195004-6	CARBON BRUSH CB-350 2PC/SET (W/ ORIGIN)	1	SET
123			450253-5	REAR COVER	1	PC.
124			265995-6	TAPPING SCREW 4X18	2	PC.
125			265995-6	TAPPING SCREW 4X18	4	PC.
126			638519-5	BRUSH HOLDER UNIT	1	PC.
127			631781-1	CONTROLLER	1	PC.
128	1		266192-7	* TAPPING SCREW 4X14	1	PC.
	2		266901-4	* TAPPING SCREW 4X14	1	PC.
129			638406-8	LEAD UNIT	1	PC.
130			450246-2	CORD CLAMP BASE	1	PC.
131	1		266192-7	* TAPPING SCREW 4X14	1	PC.
	2		266901-4	* TAPPING SCREW 4X14	1	PC.
132			687169-3	STRAIN RELIEF	1	PC.
133			266192-7	TAPPING SCREW 4X14	1	PC.
134			450240-4	LENS	1	PC.
135			682560-0	CORD GUARD 10	1	PC.
136			664276-9	CORD W/PLUG 2P-16-5.0M, SJ	1	PC.
137			266041-8	TAPPING SCREW 5X25	2	PC.
138			266041-8	TAPPING SCREW 5X25	2	PC.
139			450352-3	SHOULDER SLEEVE 6	2	PC.
140			864544-2	HR3210FCT NAME PLATE	1	PC.
141			911233-1	PAN HEAD SCREW M5X20	2	PC.
142			266211-9	TAPPING SCREW 5X40	2	PC.
143			267066-5	FLAT WASHER 5	2	PC.
144			234051-3	COMPRESSION SPRING 11	1	PC.
145			450255-1	HANDLE BASE	1	PC.
146			419014-2	DUST COVER SUPPORT	1	PC.
147			421912-8	DUST COVER	1	PC.
148			450256-9	HANDLE	1	PC.

Item No	Type	Ref	Part No	Description	Qty	Unit
149			419025-7	SWITCH LEVER	1	PC.
150			154626-1	SWITCH HOLDER COMPLETE	1	PC.
151	1		650567-4	SWITCH TG73B-1	1	PC.
	2		650676-9	SWITCH TG73B-1	1	PC.
152			450257-7	HANDLE COVER	1	PC.
153			265995-6	TAPPING SCREW 4X18	1	PC.
154			267383-3	FLAT WASHER 22 (Added)	1	PC.
155			267721-9	WAVE WASHER 15 (Added)	1	PC.
156			213083-3	* O RING 9 (Added)	1	PC.

ACCESSORIES - See Catalogue or visit www.makita.ca for optional accessory -

A01			194568-7	DRILL CHUCK SET	1	PC.
A02	1		181573-3	GREASE VESSEL 93G	1	PC.
	2		194683-7	GREASE VESSEL SET, 100CC, PUMP TYPE, FOR BIT	1	PC.
A03			135197-7	GRIP 36 ASS'Y	1	PC.
		INC.	265701-9	SCREW M6X14	1	PC.
		INC.	266163-4	CUP SQUARE NECK BOLT M8X80	1	PC.
		INC.	321248-4	DEPTH GAUGE	1	PC.
		INC.	344492-6	PLATE	1	PC.
		INC.	344811-6	GRIP SPRING 63	1	PC.
		INC.	417026-9	SIDE GRIP BASE 63	1	PC.
		INC.	931302-2	HEX. NUT M6	1	PC.
A04			824825-6	PLASTIC CARRYING CASE	1	PC.
		INC.	163467-4	LATCH	2	PC.
A05	Opt.		194578-4	QUICK CHANGE SDS-PLUS CHUCK	1	PC.
A06	1		188501-9	HAMMER SERVICE KIT	1	PC.
	2		195199-5	HAMMER SERVICE KIT	1	PC.
		INC.	A-90582	MAKITA GREASE R NO.00 30CC (1OZ)	1	PC.
		INC.	194160-9	CARBON BRUSH CB-350 (Use 195004-6 for Replacement)	1	PC.
		INC.	286282-0	TOOL HOLDER CAP (Item No.2)	1	PC.
		INC.	345873-7	GUIDE WASHER (Item No.7)	1	PC.
		INC.	233940-9	RING SPRING 19 (Item No.3)	1	PC.
		INC.	216022-2	STEEL BALL 7.0 (Item No.6)	2	PC.
		INC.	213228-3	O RING 15 (Item No.26 or 27)	2	PC.
		INC.	213321-3	FLUORO CARBON RESIN RING 20 (Item No. 28)	1	PC.
		INC.	213283-5	O RING 18 (Item No. 42 or 43)	2	PC.
		INC.	213262-3	O RING 18 (Item No. 46)	1	PC.

SERVICE CHANGES

1. Changes on Gear Shaft, O Ring, etc.

Item No.	Description	Type 1	Type 2
81	Gear Shaft	450242-0	452126-8
156	O Ring 9	-----	213083-3

Above parts are completely interchangeable as a set.

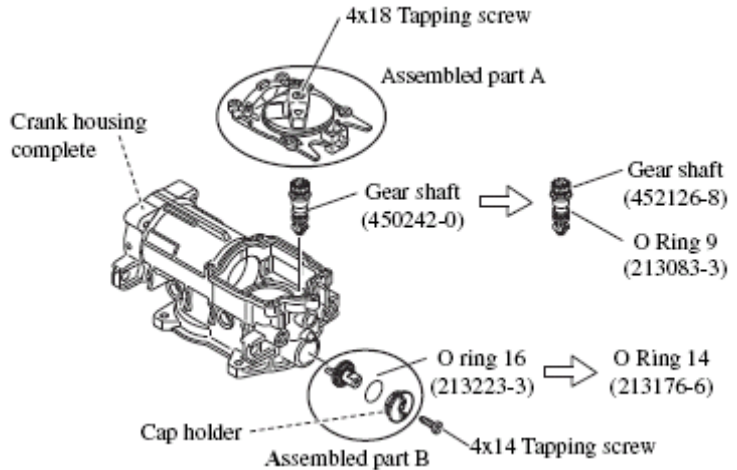
Item No.	Description	Type 1	Type 2
87	O Ring 14, 16	213223-3	213176-6

NOTE:

When removing 4x18 Tapping screw from an assembled part A or separating 4x14 Tapping screw from an assembled part B:

- 1) separate the others of the assembled part A and B from Crank housing complete;
- 2) reassemble all the components of the assembled part A and B completely using jig before installing them into Crank housing;
- 3) Install them as the assembled part A and B into Crank housing.

The wrong assembling causes leakage of grease and trouble in the selection of action mode.





2. Changes on Tapping Screws

Item No.	Description	Type 1	Type 2
128	TAPPING SCREW 4X14	266192-7	266901-4
131	TAPPING SCREW 4X14	266192-7	266901-4

Type 1

Type 2

Tapping screw 4X14 (266192-7) 	Tapping screw 4X14 (266901-4) 
--	--