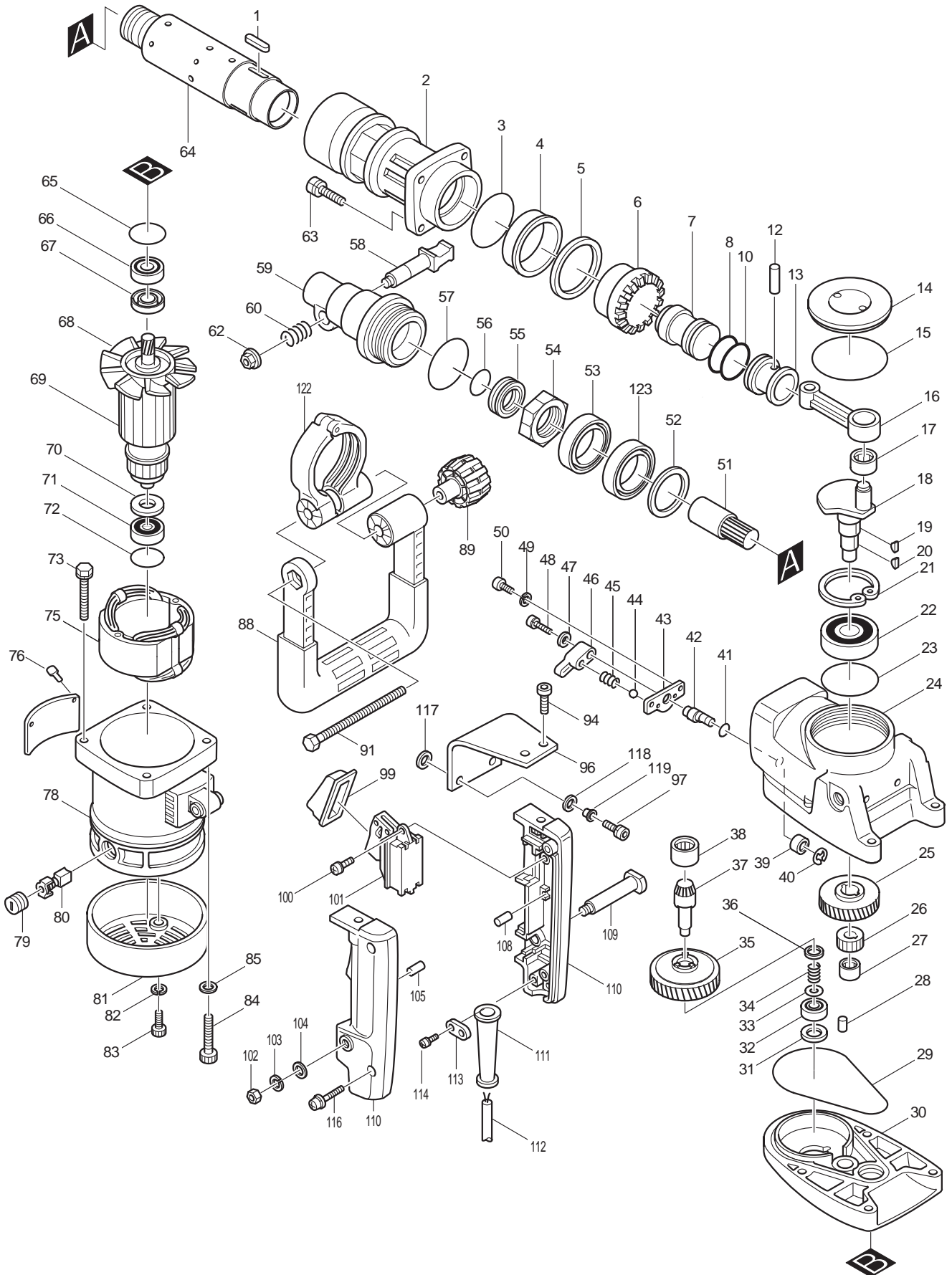




05 - 2009  
HR5000, HR5000K  
2" ROTARY HAMMER (SPLINE)



Item No	Type	Ref	Part No	Description	Qty	Unit
1			254231-5	KEY 4	3	PC.
2			316068-9	BARREL	1	PC.
3			213707-1	O RING 65	1	PC.
4			214653-1	PLANE BEARING 52	1	PC.
5			267044-5	FLAT WASHER 52	1	PC.
6			221380-3	SPIRAL BEVEL GEAR 41	1	PC.
7	1		322155-4	* STRIKER - N/L/A	1	PC.
	2		323751-1	* STRIKER	1	PC.
8	1		412049-2	* PISTON RING 40	1	PC.
	2		213481-1	* O RING 32	1	PC.
9			341862-0	* INNER RING 36 (OLD) - N/L/A	1	PC.
10	1		412049-2	* PISTON RING 40	1	PC.
	2		213481-1	* O RING 32	1	PC.
11			412080-8	* INNER RING 36 (OLD) - N/L/A	1	PC.
12			256120-0	PIN 10	1	PC.
13	1		321441-0	* PISTON	1	PC.
	2		323750-3	* PISTON	1	PC.
14	1		150369-3	CRANK CAP COMPLETE	1	PC.
	2		150046-7	CRANK CAP COMPLETE	1	PC.
15			213754-2	O RING 71	1	PC.
16			315419-3	CONNECTING ROD	1	PC.
17			212208-6	NEEDLE BEARING 1516	1	PC.
18			153176-3	CRANK SHAFT COMPLETE	1	PC.
		INC.	216114-7	INNER SLEEVE 1216	1	PC.
19			254001-2	WOODRUFF KEY 4	2	PC.
20			254001-2	WOODRUFF KEY 4	1	PC.
21			962251-2	RETAINING RING R-52	1	PC.
22	1		211314-4	BALL BEARING 6304 - N/L/A	1	PC.
	2		211327-5	BALL BEARING 6304LLU	1	PC.
23			213656-2	O RING 53	1	PC.
24	1		157868-6	CRANK HOUSING COMPLETE	1	PC.
	2		158573-8	CRANK HOUSING COMPLETE	1	PC.
		INC.		Item No. 23	1	PC.
25			221761-1	HELICAL GEAR 41	1	PC.
26			221957-4	SPUR GEAR 24	1	PC.
27			212113-7	NEEDLE BEARING 1212	1	PC.
28			263005-3	RUBBER PIN 6	1	PC.
29	1		213906-5	O RING 113	1	PC.
	2		421690-0	SEAL RING	1	PC.
30			157867-8	GEAR HOUSING COMPLETE	1	PC.
		INC.		Item No. 28, 65	1	PC.
31			253787-5	FLAT WASHER 16	1	PC.
32			210004-6	BALL BEARING 638	1	PC.
33			253865-1	FLAT WASHER 8	1	PC.
34			231446-1	COMPRESSION SPRING 12	1	PC.
35			150009-3	TORQUE LIMITER COMPLETE	1	PC.
36			253310-6	THIN WASHER 10	1	PC.
37			153174-7	GEAR COMPLETE	1	PC.
38			212359-5	NEEDLE BEARING 2216	1	PC.
39			212011-5	NEEDLE BEARING 609	1	PC.
40			961011-9	STOP RING E-4	1	PC.
41			213055-8	O RING 10	1	PC.
42			322187-1	CHANGE SHAFT	1	PC.

Item No	Type	Ref	Part No	Description	Qty	Unit
43			342786-3	PLATE	1	PC.
44			216002-8	STEEL BALL 4.8	1	PC.
45			231317-2	COMPRESSION SPRING 3	1	PC.
46			410331-3	CHANGE LEVER	1	PC.
47			941052-1	FLAT WASHER 4	1	PC.
48			922126-7	HEX. SOCKET HEAD BOLT M4X16	1	PC.
49			942101-7	SPRING WASHER 5	2	PC.
50			922212-4	HEX. SOCKET HEAD BOLT M5X12	2	PC.
51			322156-2	IMPACT BOLT	1	PC.
52			267043-7	FLAT WASHER 43	1	PC.
53			211469-5	BALL BEARING 6907	1	PC.
54			252119-3	DODEC. NUT M34.8-41	1	PC.
55	1		213420-1	X RING 28 - N/L/A	1	PC.
	2		213428-5	X RING 28	1	PC.
56			213411-2	O RING 27	1	PC.
57			213663-5	O RING 55	1	PC.
58			331132-5	TOOL RETAINER	1	PC.
59			322203-9	TOOL HOLDER	1	PC.
60			231281-7	COMPRESSION SPRING 15	1	PC.
62			252046-4	HEX. NUT M8-13	1	PC.
63			922451-6	HEX. SOCKET HEAD BOLT M8X30	4	PC.
64			152396-6	CYLINDER LINER COMPLETE	1	PC.
		INC.		Item No. 1	1	PC.
65			213459-4	O RING 32	1	PC.
66			211129-9	BALL BEARING 6201DDW	1	PC.
67			213160-1	OIL SEAL 14	1	PC.
68			241634-2	FAN 94	1	PC.
		INC.		Item No. 68, 70, 71	1	PC.
69			514886-1	ARMATURE ASS'Y 115V	1	PC.
70	1		681624-7	INSULATION WASHER - N/L/A	1	PC.
	2		681635-2	INSULATION WASHER	1	PC.
71	1		211066-7	BALL BEARING 6200LLB	1	PC.
	2		211087-9	BALL BEARING 6200DDW	1	PC.
72			213406-5	O RING 30	1	PC.
73			265346-3	+ HEX. BOLT M5X55	2	PC.
75			524831-8	FIELD ASS'Y 115V	1	PC.
		INC.	654502-4	CONNECTOR P-2	2	PC.
		INC.	654020-2	RING TERMINAL	2	PC.
76			953106-2	RIVET 0-5 (OLD)	4	PC.
78			159054-5	MOTOR HOUSING	1	PC.
		INC.	913206-0	SET SCREW M5X8	2	PC.
		INC.	643653-8	BRUSH HOLDER 6.5-13.5	2	PC.
		INC.		Item No. 72	1	PC.
79			643650-4	BRUSH HOLDER CAP 6.5-13.5	2	PC.
80	1		181048-2	A.C. CARBON BRUSH CB-155 2PC/SET (W/O ORIGIN)	1	SET
	2		194987-7	A.C. CARBON BRUSH CB-155 2PC/SET (W/ ORIGIN)	1	SET
81			284055-5	REAR COVER	1	PC.
82			942101-7	SPRING WASHER 5	2	PC.
83	1		922222-1	HEX. SOCKET HEAD BOLT M5X16	2	PC.
	2		922221-3	HEX. SOCKET HEAD BOLT M5X16	2	PC.
84			922376-4	HEX. SOCKET HEAD BOLT M6X55	4	PC.
85			941151-9	FLAT WASHER 6	4	PC.
87			952257-8	* SPLIT PIN 3.0-20 (OLD)	1	PC.

Item No	Type	Ref	Part No	Description	Qty	Unit
88	1		343519-9	* SIDE HANDLE	1	PC.
	2		416061-4	* SIDE HANDLE	1	PC.
89	1		259020-3	* WING NUT M10	1	PC.
	2		252640-2	* KNOB NUT M8	1	PC.
90			942251-8	* SPRING WASHER 10 (OLD)	1	PC.
91	1		265902-9	* SET BOLT M10X20	1	PC.
	2		265439-6	* HEX. BOLT M8X150	1	PC.
92			952257-8	* SPLIT PIN 3.0-20 (OLD)	1	PC.
93			273492-8	* GRIP 38 (OLD)	1	PC.
94	2		922316-2	* HEX. SOCKET HEAD BOLT M6X14	2	PC.
95			942151-2	* SPRING WASHER 6 (OLD)	2	PC.
96	2		343754-9	* CUSHION PLATE	2	PC.
97	2		265914-2	* HEX. SOCKET HEAD BOLT M6X25	2	PC.
98			942151-2	* SPRING WASHER 6 (OLD)	2	PC.
99			421265-5	DUST COVER	1	PC.
100			911129-6	PAN HEAD SCREW M4X16	1	PC.
101			651145-3	SWITCH C3D-H-MS, AC/DC	1	PC.
102			931302-2	HEX. NUT M6	1	PC.
103			942151-2	SPRING WASHER 6	1	PC.
104			941151-9	FLAT WASHER 6	1	PC.
105			263002-9	RUBBER PIN 4	1	PC.
108			263002-9	RUBBER PIN 4	1	PC.
109			321210-9	HANDLE SHAFT	1	PC.
		INC.		Item No. 105, 108	1	PC.
110			182077-8	HANDLE SET	1	SET
111	1		682505-8	CORD GUARD 10-90	1	PC.
	2		682568-4	CORD GUARD 10	1	PC.
112			664276-9	CORD W/PLUG 2P-16-5.0M, SJ	1	PC.
113			687001-1	STRAIN RELIEF	1	PC.
114			911133-5	PAN HEAD SCREW M4X18	2	PC.
116			911243-8	PAN HEAD SCREW M5X25	2	PC.
117	2		262051-3	* RUBBER RING 9	2	PC.
118	2		262052-1	* RUBBER RING 9	2	PC.
119	2		257636-8	* SLEEVE 6	2	PC.
120	3		416480-4	* UPPER HANDLE BASE (OLD) - N/L/A	1	PC.
121	3		416481-2	* LOWER HANDLE BASE (OLD) - N/L/A	1	PC.
122	3		344617-2	* HANDLE SPRING 62 - N/L/A	1	PC.
122	4		151768-2	* SIDE HANDLE BASE COMPLETE	1	PC.
123			211469-5	BALL BEARING 6907	1	PC.
200			652014-1	P.H. SCREW M4X8 (FOR SWITCH)	4	PC.
202			654002-4	SOLOERLESS EYE TERMINAL 1.25-M4	4	PC.

### **ACCESSORIES**

- See catalogue or visit [www.makita.ca](http://www.makita.ca) for more accessories information -

A01			150589-9	PLASTIC CARRYING CASE	1	PC.
		INC.	163467-4	LATCH, METAL (TYPE 2)	2	PC.
A02			783202-0	HEX. WRENCH 4	1	PC.
A03			273472-4	SIDE HANDLE	1	PC.
A04			134887-9	* SIDE HANDLE ASSY (D-STYLE)	1	PC.
		INC.		* Item No. 88, 89, 91, 122	1	PC.
A05			783203-8	HEX. WRENCH 5 (OLD)	1	PC.
A06			783204-6	HEX. WRENCH 6 (OLD)	1	PC.
A07			782407-9	LOCK NUT WRENCH 35 (F/ CRANK HSG CAP)	1	PC.
A11			798138-0	CORE BIT ADAPTOR, SPLINE SHANK	1	PC.

Item No	Type	Ref	Part No	Description	Qty	Unit
A12	1		752026-5B	CENTER BIT 8	1	PC.
	2		A-44046	CENTER BIT 8	1	PC.
A13			256815-5	ROD 15	1	PC.
A14			765009-6	BLOWOUT BULB	1	PC.
A15			A-90582	MAKITA GREASE R NO.00 30CC (1OZ)	1	PC.
A16	1		181573-3	BIT GREASE 3.5oz (100g)	1	PC.
	2		194683-7	GREASE VESSLE SET (100cc)	1	PC.
A18			193284-8	HAMMER SERVICE KIT	1	PC.
		INC.	194987-7	A.C. CARBON BRUSH CB-155 2PC/SET (W/ ORIGIN)	1	SET
		INC.	A-90582	GREASE R NO.00, 30CC (1OZ.)	1	PC.
		INC.	213411-2	O RING 27	1	PC.
		INC.	213428-5	X RING 28	1	PC.
		INC.	213481-1	O RING 32	2	PC.